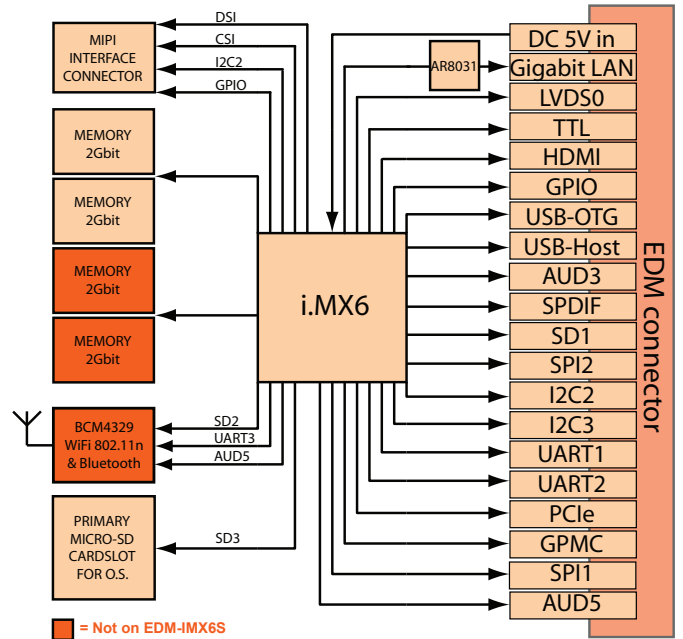
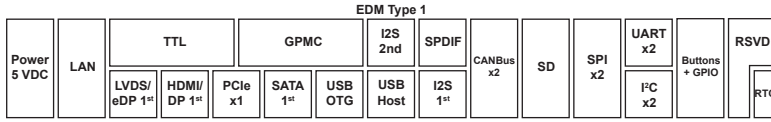


WANDBOARD.ORG

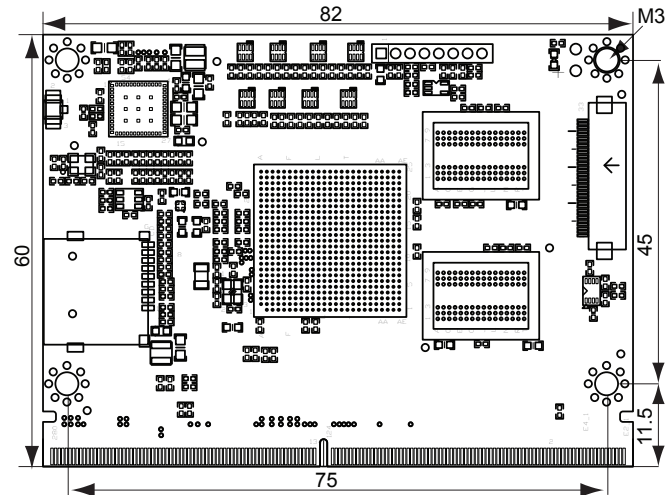


	EDM-IMX6S	EDM-IMX6DL	EDM-IMX6Q
Processor	i.MX6 Solo	i.MX6 DualLite	i.MX6 Quad
Cores	ARM Cortex-A9 Single core @ 1GHz	ARM Cortex-A9 Dual core @ 1GHz	ARM Cortex-A9 Quad core @ 1GHz
Memory	512 MB DDR3	1 GB DDR3	2 GB DDR3

MIPI Display	✓	✓	✓
MIPI Camera	✓	✓	✓
micro SD cardslot	✓	✓	✓
WiFi (802.11n)	X	✓	✓
Bluetooth	X	✓	✓

Interfaces available on the EDM Connector

I ² S Audio	✓	✓	✓
Optical S/PDIF	✓	✓	✓
HDMI	✓	✓	✓
LVDS	✓	✓	✓
TTL Display	✓	✓	✓
USB	✓	✓	✓
USB OTG	✓	✓	✓
SATA	X	X	✓
Gigabit LAN	✓	✓	✓
GPMC	✓	✓	✓
UART	✓	✓	✓
I ² C	✓	✓	✓
SPI	✓	✓	✓
PCIe	✓	✓	✓



Order information

- EDM-IMX6S-10PACK** i.MX6 Solo 10 module pack
- EDM-IMX6DL-10PACK** i.MX6 DualLite 10 module pack
- EDM-IMX6Q-10PACK** i.MX6 Quad 10 module pack

Accessories

EDMCONNECTORKIT 10 sets of EDM connectors, standoffs and screws.



Complete schematics, source code and documentation can be found on www.wandboard.org

Mouser Electronics

Authorized Distributor

Click to View Pricing, Inventory, Delivery & Lifecycle Information:

[Wandboard:](#)

[WBQUAD](#)