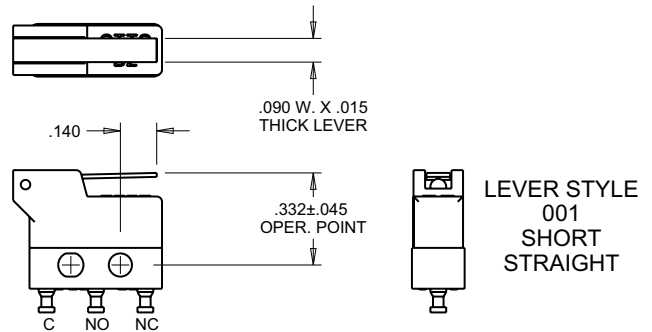
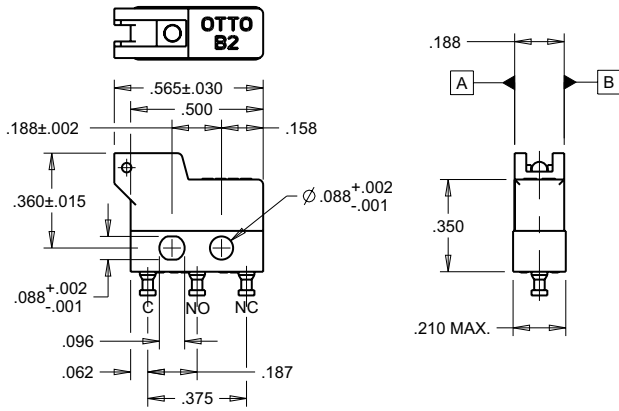


B2 BASICS WITH INTEGRAL LEVERS

B2 -5
BASIC SWITCHES

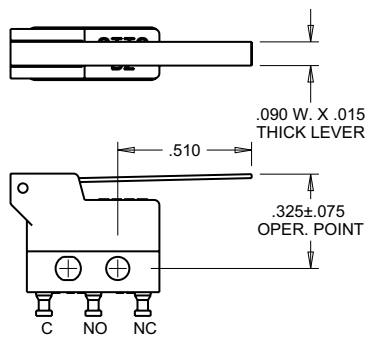
CHOICE OF STRAIGHT, FORMED OR ROLLER LEVERS

BASIC SWITCH
(APPLIES TO ALL B2-5 SWITCHES)



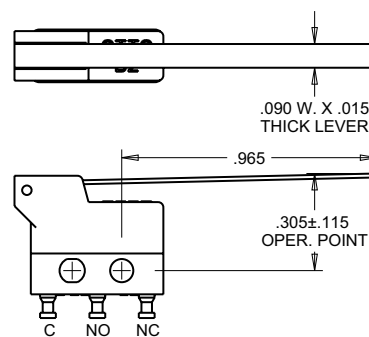
B2-50011X

LEVER STYLE
001
SHORT
STRAIGHT



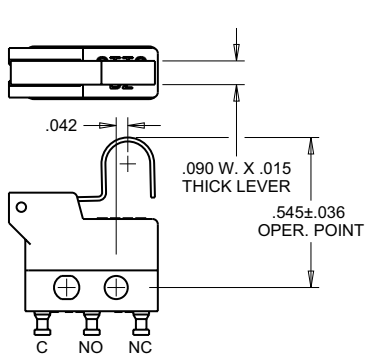
B2-50021X

LEVER STYLE
002
MEDIUM
STRAIGHT



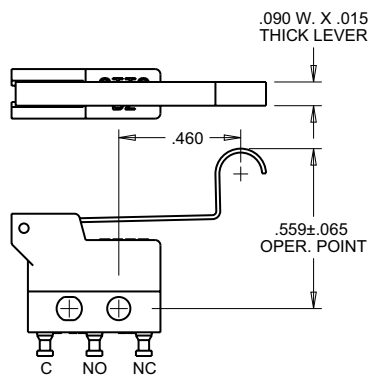
B2-50031X

LEVER STYLE
003
LONG
STRAIGHT



B2-50041X

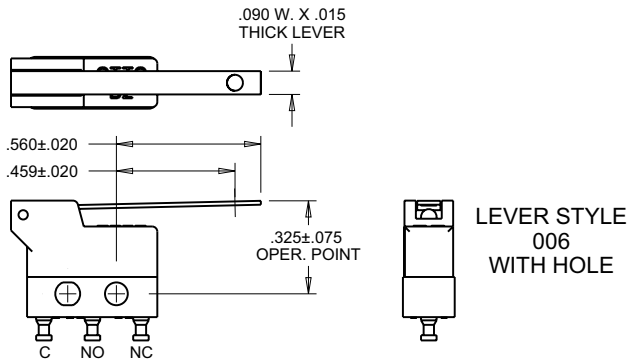
LEVER STYLE
004
SHORT
FORMED



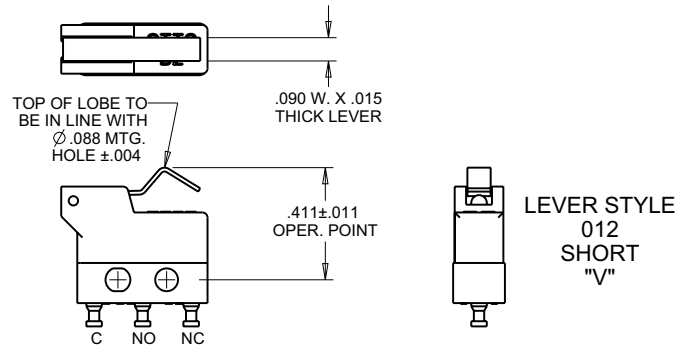
B2-50051X

LEVER STYLE
005
LONG
FORMED

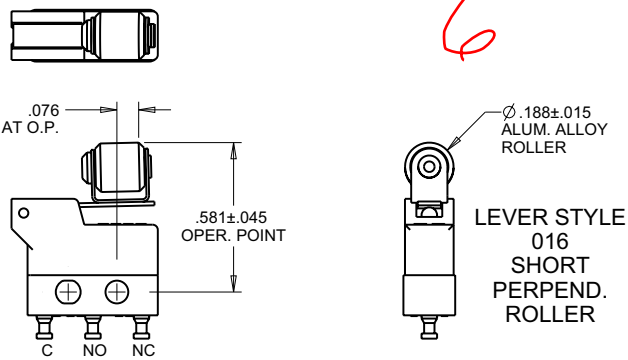
CHOICE OF STRAIGHT, FORMED OR ROLLER LEVERS



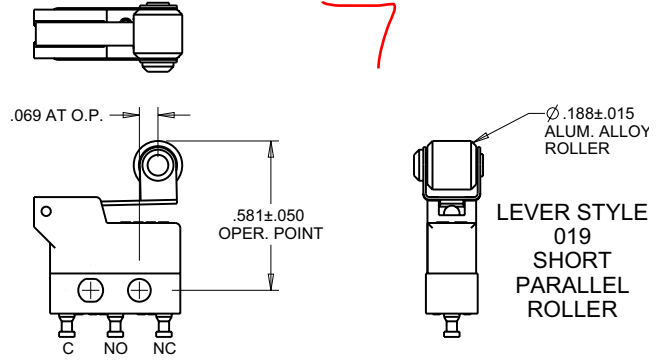
B2-50061X



B2-50121X



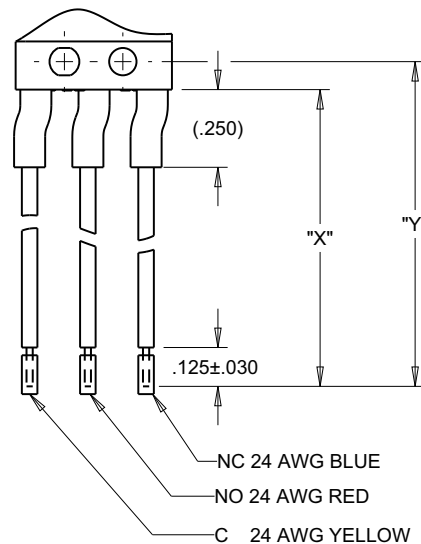
B2-50161X



B2-50191X

WIRE LENGTHS
(APPLIES TO ALL B2-5 SWITCHES)

WIRE LENGTH CODE	DIM. "X"	DIM. "Y"
A	06.00 ± .38	06.09 ± .38
B	12.00 ± .50	12.09 ± .50
C	18.00 ± .50	18.09 ± .50
D	24.00 ± .50	24.09 ± .50
E	30.00 ± .75	30.09 ± .75



Mouser Electronics

Authorized Distributor

Click to View Pricing, Inventory, Delivery & Lifecycle Information:

[OTTO:](#)

[B2-500111](#) [B2-500211](#) [B2-500311](#) [B2-500411](#) [B2-5004A1](#) [B2-5005A1](#) [B2-501611](#) [B2-5016A1](#) [B2-501911](#) [B2-5019A1](#) [B2-5001A1](#) [B2-5002A1](#) [B2-5003A1](#) [B2-500047](#)