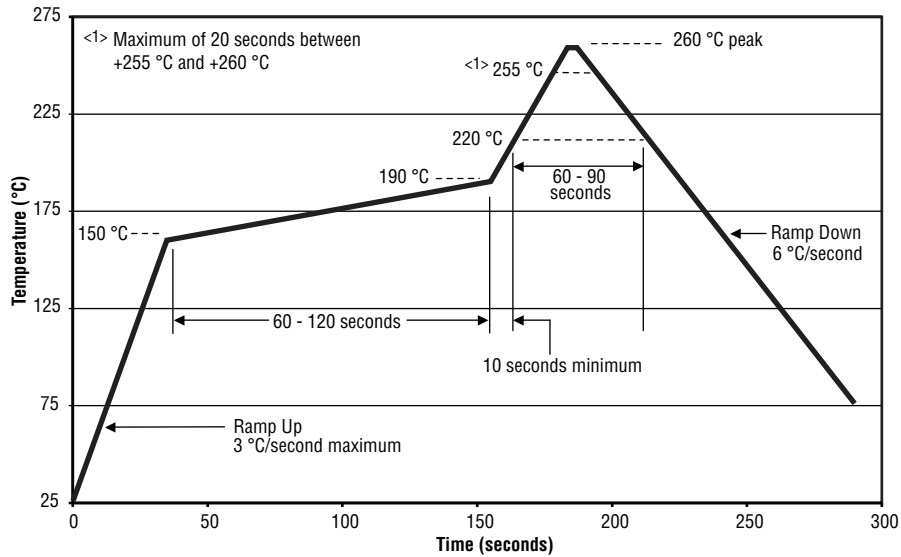




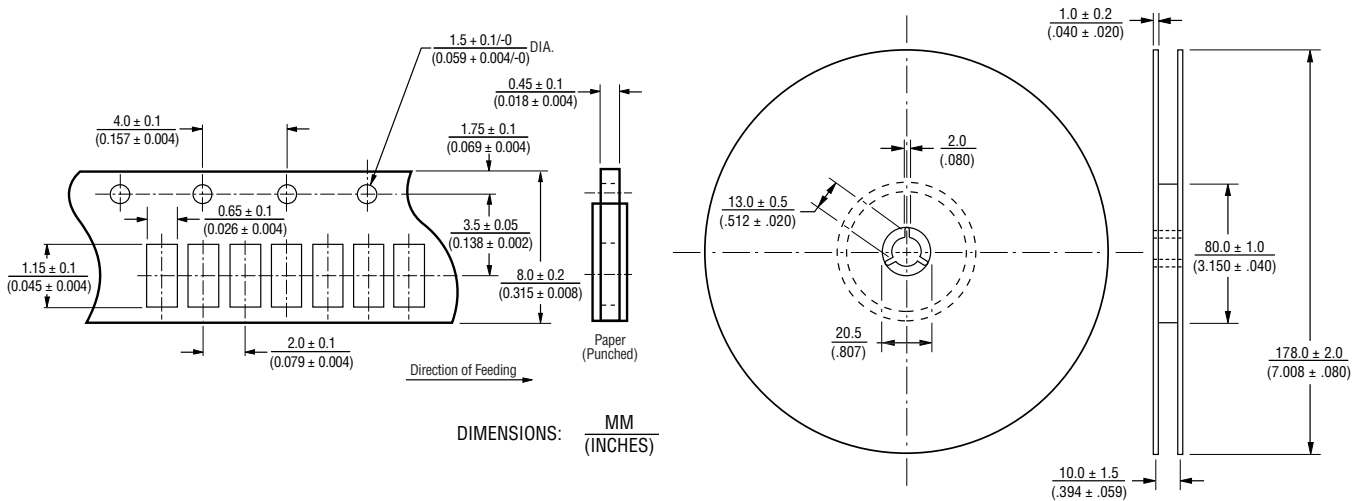
# CR0402 - Chip Resistor

**BOURNS®**

## Soldering Profile for RoHS Compliant Chip Resistor and Arrays



## Packaging Dimensions (Conforms to EIA RS-481A)



Specifications are subject to change without notice. The device characteristics and parameters in this data sheet can and do vary in different applications and actual device performance may vary over time. Users should verify actual device performance in their specific applications.

# CR0402 - Chip Resistor

**BOURNS®**

## How to Order

CR 0402 - F X - 8252 G LF

Model \_\_\_\_\_  
(CR = Chip Resistor)

Size \_\_\_\_\_  
• 0402

Resistance Tolerance \_\_\_\_\_  
F = ±1 % .....Used with "X" TCR code only for values from 10 ohms through 1 megohm; and  
Used with "W" TCR code only for values above 1 megohm. through 10 megohms.  
J = ±5 % ..... Used with "W" TCR code for values from 10 ohms through 10 megohms;  
Used with "Z" TCR code for values above 10 megohms through 20 megohms;  
Used with "/" TCR code for zero ohm (jumper); and for values from 1 ohm through 9.1 ohms.

TCR (ppm/°C) \_\_\_\_\_  
X = ±100  
W = ±200  
Z = ±400  
/ = -200 to +500

Resistance Value \_\_\_\_\_  
For 1 % Tolerance:  
<100 ohms ..... "R" designates decimal point (example: 24R3 = 24.3 ohms)  
≥100 ohms.....First three digits are significant, fourth digit represents number of zeros to follow (example: 8252 = 82.5k ohms).  
For 5 % Tolerance:  
<10 ohms ..... "R" designates decimal point (example: 4R7 = 4.7 ohms)  
≥10 ohms.....First two digits are significant, third digit represents number of zeros to follow (example: 474 = 470k ohms; 000 = Jumper).

Packaging \_\_\_\_\_  
G = Paper Tape (10,000 pcs.) on 7 " Plastic Reel

Termination \_\_\_\_\_  
LF = Tin-plated (RoHS compliant)

REV. 08/15

Specifications are subject to change without notice.

The device characteristics and parameters in this data sheet can and do vary in different applications and actual device performance may vary over time. Users should verify actual device performance in their specific applications.

# Mouser Electronics

Authorized Distributor

Click to View Pricing, Inventory, Delivery & Lifecycle Information:

## Bourns:

[CR0402-J-000GLF](#) [CR0402-JW-390GLF](#) [CR0402-JW-180GLF](#) [CR0402-JW-100GLF](#) [CR0402-JW-220GLF](#)  
[CR0402-JW-330GLF](#) [CR0402-FX-1023GLF](#) [CR0402-FX-1072GLF](#) [CR0402-FX-10R5GLF](#) [CR0402-FX-1132GLF](#)  
[CR0402-FX-1150GLF](#) [CR0402-FX-1151GLF](#) [CR0402-FX-1153GLF](#) [CR0402-FX-1180GLF](#) [CR0402-FX-1181GLF](#)  
[CR0402-FX-11R5GLF](#) [CR0402-FX-1203GLF](#) [CR0402-FX-1241GLF](#) [CR0402-FX-1242GLF](#) [CR0402-FX-1270GLF](#)  
[CR0402-FX-1271GLF](#) [CR0402-FX-1272GLF](#) [CR0402-FX-12R1GLF](#) [CR0402-FX-1330GLF](#) [CR0402-FX-1332GLF](#)  
[CR0402-FX-1371GLF](#) [CR0402-FX-1372GLF](#) [CR0402-FX-13R7GLF](#) [CR0402-FX-1401GLF](#) [CR0402-FX-1402GLF](#)  
[CR0402-FX-1433GLF](#) [CR0402-FX-1473GLF](#) [CR0402-FX-14R0GLF](#) [CR0402-FX-14R3GLF](#) [CR0402-FX-1542GLF](#)  
[CR0402-FX-1543GLF](#) [CR0402-FX-1622GLF](#) [CR0402-FX-1623GLF](#) [CR0402-FX-1651GLF](#) [CR0402-FX-1652GLF](#)  
[CR0402-FX-1691GLF](#) [CR0402-FX-1740GLF](#) [CR0402-FX-1741GLF](#) [CR0402-FX-1743GLF](#) [CR0402-FX-1780GLF](#)  
[CR0402-FX-1783GLF](#) [CR0402-FX-17R4GLF](#) [CR0402-FX-17R8GLF](#) [CR0402-FX-1823GLF](#) [CR0402-FX-1871GLF](#)  
[CR0402-FX-1911GLF](#) [CR0402-FX-1961GLF](#) [CR0402-FX-19R6GLF](#) [CR0402-FX-2051GLF](#) [CR0402-FX-2101GLF](#)  
[CR0402-FX-2103GLF](#) [CR0402-FX-21R0GLF](#) [CR0402-FX-2261GLF](#) [CR0402-FX-2323GLF](#) [CR0402-FX-2433GLF](#)  
[CR0402-FX-2493GLF](#) [CR0402-FX-24R3GLF](#) [CR0402-FX-2553GLF](#) [CR0402-FX-2612GLF](#) [CR0402-FX-2671GLF](#)  
[CR0402-FX-2672GLF](#) [CR0402-FX-2740GLF](#) [CR0402-FX-2743GLF](#) [CR0402-FX-27R4GLF](#) [CR0402-FX-2802GLF](#)  
[CR0402-FX-2803GLF](#) [CR0402-FX-2872GLF](#) [CR0402-FX-2873GLF](#) [CR0402-FX-28R0GLF](#) [CR0402-FX-2941GLF](#)  
[CR0402-FX-2942GLF](#) [CR0402-FX-29R4GLF](#) [CR0402-FX-3013GLF](#) [CR0402-FX-3091GLF](#) [CR0402-FX-30R9GLF](#)  
[CR0402-FX-3160GLF](#) [CR0402-FX-3241GLF](#) [CR0402-FX-3243GLF](#) [CR0402-FX-3322GLF](#) [CR0402-FX-3323GLF](#)  
[CR0402-FX-3402GLF](#) [CR0402-FX-3403GLF](#) [CR0402-FX-3480GLF](#) [CR0402-FX-3482GLF](#) [CR0402-FX-3483GLF](#)  
[CR0402-FX-34R8GLF](#) [CR0402-FX-3570GLF](#) [CR0402-FX-3571GLF](#) [CR0402-FX-3572GLF](#) [CR0402-FX-3573GLF](#)  
[CR0402-FX-3650GLF](#) [CR0402-FX-36R5GLF](#) [CR0402-FX-3741GLF](#) [CR0402-FX-4020GLF](#) [CR0402-FX-4120GLF](#)