

LVDS

Input Port - Surge Protection

Solution Products



TBU-CA085-200-WH



2031-42T-SM-RPLF



CDSOT23-S2004

Design Kit



PN-DESIGNKIT-15

Objective

Low-voltage differential signaling (LVDS) utilizes a 1.25 V electrical signal. This solution protects LVDS which is exposed to high level surges.

Solution

- 2 TBU[®] High-Speed Protectors: TBU-CA085-200-WH
- 2 GDTs: 2031-42T-SM-RPLF
- 2 Switching Diode Arrays: CDSOT23-S2004

Compliance

IEC 61000-4-5; Class 4 and 5; 4000 V / 95 A

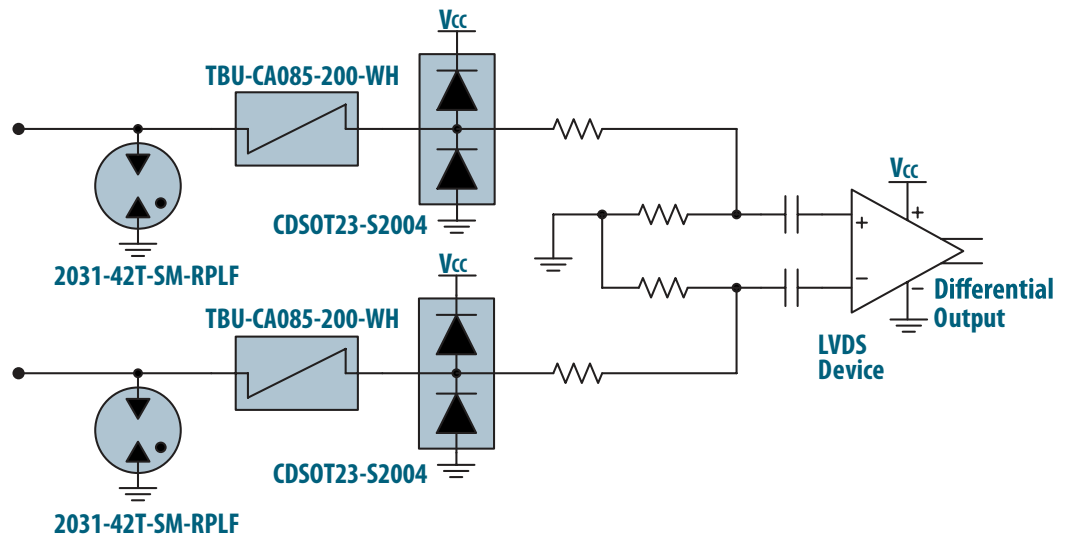
Alternate Recommendations

Other PortNote[®] Solutions:

- LVDS: Output Port - Surge Protection
- Specific solutions are also available for lower levels of IEC 61000-4-5 as well as the ITU-T and GR-1089-CORE documents.*

Benefit

This solution provides input protection for a receiver, equalizer or buffer input without impairing the LVDS signal up to 3 GHz.



The schematic above illustrates the application protection and does not constitute the complete circuit design. Customers should verify actual device performance in their specific applications.

Mouser Electronics

Authorized Distributor

Click to View Pricing, Inventory, Delivery & Lifecycle Information:

Bourns:

[PN-DESIGNKIT-15](#)