

## 6A to 60A, 500VAC EMI Filters

### Features

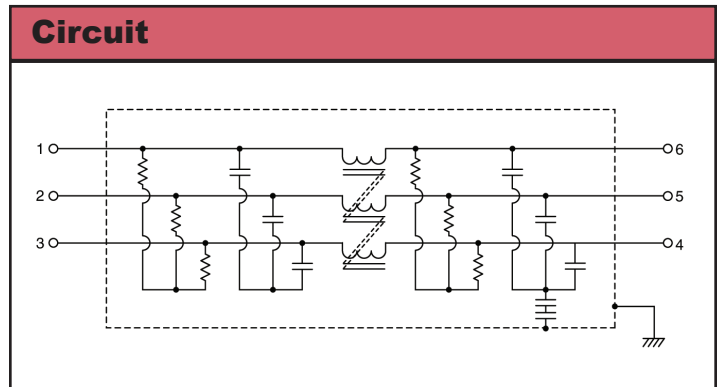
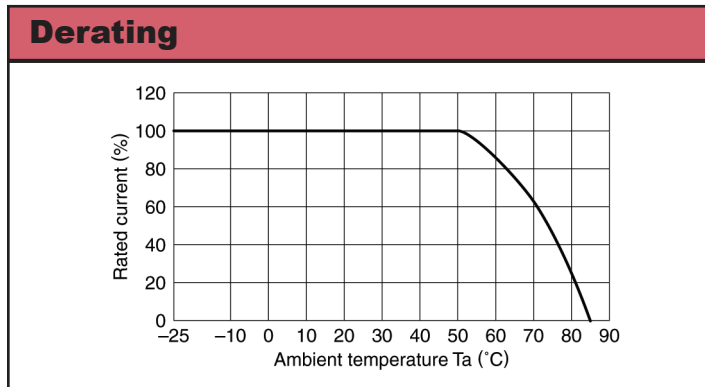
- ◆ High Voltage Pulse Attenuation
- ◆ DIN Rail Mount Option (Up 30A)
- ◆ Conforms to UL and EN Safety Agency Certifications



### Key Market Segments & Applications



Specifications		RTAN-5006	RTAN-5010	RTAN-5020	RTAN-5030	RTAN-5040
Model		RTAN-5006D	RTAN-5010D	RTAN-5020D	RTAN-5030D	
Rated Voltage (AC, DC)	V	500V Three phase				
Rated Current	A	6A	10A	20A	30A	40A
DC Resistance (total)	mΩ	350	140	60	35	22
Model		RTAN-5050	RTAN-5060			
Rated Voltage (AC, DC)	V	500V Three phase				
Rated Current	A	50A	60A			
DC Resistance (total)	mΩ	7	5			
Withstand Voltage	V	Terminals to Case: 2500VAC (1 Minute)				
Isolation Resistance	MΩ	100MΩ minimum (500VDC, 1 Minute)				
Leakage Current (max)	A	2.5mA at 250VAC 60Hz, 5mA at 500VAC 60Hz				
Operating Temperature	°C	-25 to +85°C (Derate above 50°C, see derating curve)				
Storage Temperature	°C	-25 to +85°C				
Safety Agency Certifications	-	UL1283 & EN60939				
Weight	g	360g to 1120g model dependant (See weights chart on website)				
Warranty	yr	1 Year				

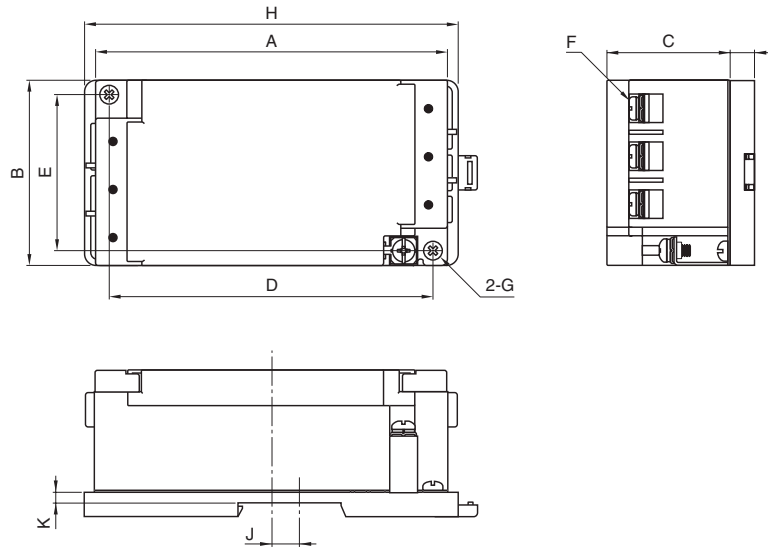


### Options

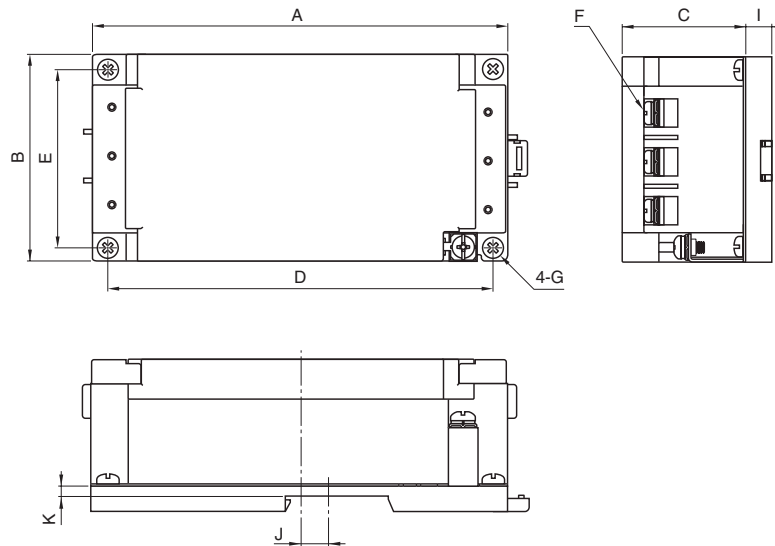
Chassis Mount	RTAN-50xx
DIN Rail Mount (Models up to 30A)	RTAN-50xxD

## Outline Drawing

RTAN-5006D/5010D



RTAN-5020D/5030D



For Additional Information, please visit  
[us.tdk-lambda.com/lp/products/r-series.htm](http://us.tdk-lambda.com/lp/products/r-series.htm)



# Mouser Electronics

Authorized Distributor

Click to View Pricing, Inventory, Delivery & Lifecycle Information:

[TDK-Lambda:](#)

[RTAN-5010](#) [RTAN-5010D](#) [RTAN-5020](#) [RTAN-5020D](#) [RTAN-5030](#) [RTAN-5030D](#) [RTAN-5040](#) [RTAN-5050](#) [RTAN-5060](#) [RTAN-5006D](#) [RTAN-5006](#)