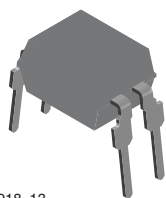
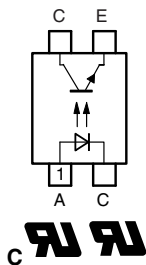




## Optocoupler, Phototransistor Output



17918\_13



17203-5

### FEATURES

- Endstackable to 2.54 mm (0.1") spacing
- DC isolation test voltage 5000 V<sub>RMS</sub>
- Current transfer ratio (CTR) selected into groups
- Low temperature coefficient of CTR
- Wide ambient temperature range
- Available in single, dual and quad channel packages
- Material categorization: For definitions of compliance please see [www.vishay.com/doc?99912](http://www.vishay.com/doc?99912)



**RoHS**  
COMPLIANT

### DESCRIPTION

In the K817P part each channel consists of a phototransistor optically coupled to a gallium arsenide infrared-emitting diode in a 4 pin (single) plastic dual in line package.

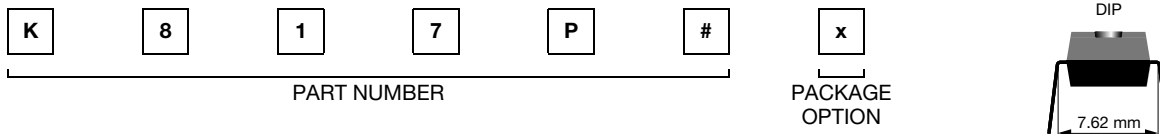
### AGENCY APPROVALS

- BSI: EN 60065:2002, EN 60950-1:2006
- DIN EN 60747-5-2 (VDE 0884)
- FIMKO
- UL file no. E52744
- cUL tested to CSA 22.2 bulletin 5A

### APPLICATIONS

- Programmable logic controllers
- Modems
- Answering machines
- General applications

### ORDERING INFORMATION



| AGENCY CERTIFIED/<br>PACKAGE | CTR (%)   |          |           |            |            |           |            |           |            |            |
|------------------------------|-----------|----------|-----------|------------|------------|-----------|------------|-----------|------------|------------|
|                              | 5 mA      |          | 10 mA     |            |            |           | 5 mA       |           |            |            |
| VDE, BSI, FIMKO,<br>UL, cUL  | 50 to 600 | 40 to 80 | 63 to 125 | 100 to 200 | 160 to 320 | 50 to 150 | 100 to 300 | 80 to 160 | 130 to 260 | 200 to 400 |
| DIP-4                        | K817P     | K817P1   | K817P2    | K817P3     | K817P4     | K817P5    | K817P6     | K817P7    | K817P8     | K817P9     |

### ABSOLUTE MAXIMUM RATINGS (T<sub>amb</sub> = 25 °C, unless otherwise specified)

| PARAMETER                 | TEST CONDITION                                  | SYMBOL            | VALUE | UNIT |
|---------------------------|---|-------------------|-------|------|
| <b>INPUT</b>              |   |                   |       |      |
| Reverse voltage           |   | V <sub>R</sub>    | 6     | V    |
| Forward current           |   | I <sub>F</sub>    | 60    | mA   |
| Forward surge current     | t <sub>p</sub> ≤ 10 μs                          | I <sub>FSM</sub>  | 1.5   | A    |
| Power dissipation         |   | P <sub>diss</sub> | 70    | mW   |
| Junction temperature      |   | T <sub>j</sub>    | 125   | °C   |
| <b>OUTPUT</b>             |   |                   |       |      |
| Collector emitter voltage |   | V <sub>CEO</sub>  | 70    | V    |
| Emitter collector voltage |   | V <sub>ECO</sub>  | 7     | V    |
| Collector current         |   | I <sub>C</sub>    | 50    | mA   |
| Collector peak current    | t <sub>p</sub> /T = 0.5, t <sub>p</sub> ≤ 10 ms | I <sub>CM</sub>   | 100   | mA   |
| Power dissipation         |   | P <sub>diss</sub> | 70    | mW   |
| Junction temperature      |   | T <sub>j</sub>    | 125   | °C   |



| ABSOLUTE MAXIMUM RATINGS ( $T_{amb} = 25\text{ }^{\circ}\text{C}$ , unless otherwise specified) |                                      |           |               |                    |
|---|--------------------------------------|-----------|---------------|--------------------|
| PARAMETER   | TEST CONDITION                       | SYMBOL    | VALUE         | UNIT               |
| <b>COUPLER</b>  |                                      |           |               |                    |
| AC isolation test voltage (RMS)   | $t = 1\text{ s}$                     | $V_{ISO}$ | 5000          | $V_{RMS}$          |
| Total power dissipation   |                                      | $P_{tot}$ | 200           | mW                 |
| Operating ambient temperature range   |                                      | $T_{amb}$ | - 40 to + 100 | $^{\circ}\text{C}$ |
| Storage temperature range   |                                      | $T_{stg}$ | - 55 to + 125 | $^{\circ}\text{C}$ |
| Soldering temperature <sup>(1)</sup>  | 2 mm from case, $t \leq 10\text{ s}$ | $T_{sld}$ | 260           | $^{\circ}\text{C}$ |

**Notes**

- Stresses in excess of the absolute maximum ratings can cause permanent damage to the device. Functional operation of the device is not implied at these or any other conditions in excess of those given in the operational sections of this document. Exposure to absolute maximum ratings for extended periods of the time can adversely affect reliability.

<sup>(1)</sup> Refer to wave profile for soldering conditions for through hole devices.

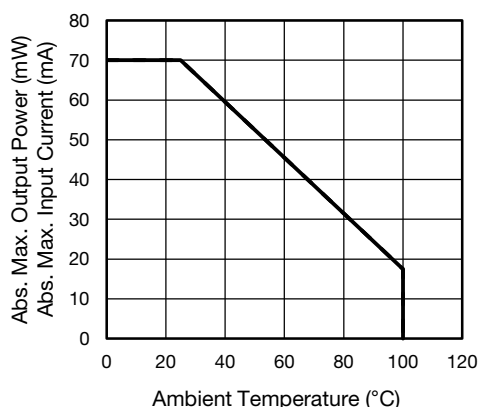


Fig. 1 - Absolute Maximum Output Power and Input Current vs. Ambient Temperature

| ELECTRICAL CHARACTERISTICS           |   |             |      |      |      |      |
|--------------------------------------|---|-------------|------|------|------|------|
| PARAMETER                            | TEST CONDITION  | SYMBOL      | MIN. | TYP. | MAX. | UNIT |
| <b>INPUT</b>                         |   |             |      |      |      |      |
| Forward voltage                      | $I_F = 50\text{ mA}$  | $V_F$       |      | 1.25 | 1.6  | V    |
| Junction capacitance                 | $V_R = 0\text{ V}$ , $f = 1\text{ MHz}$                                     | $C_j$       |      | 50   |      | pF   |
| <b>OUTPUT</b>                        |   |             |      |      |      |      |
| Collector emitter voltage            | $I_C = 100\text{ }\mu\text{A}$  | $V_{CEO}$   | 70   |      |      | V    |
| Emitter collector voltage            | $I_E = 100\text{ }\mu\text{A}$  | $V_{ECO}$   | 7    |      |      | V    |
| Collector dark current               | $V_{CE} = 20\text{ V}$ , $I_F = 0$ , $E = 0$                                | $I_{CEO}$   |      | 10   | 100  | nA   |
| <b>COUPLER</b>                       |   |             |      |      |      |      |
| Collector emitter saturation voltage | $I_F = 10\text{ mA}$ , $I_C = 1\text{ mA}$                                  | $V_{CEsat}$ |      |      | 0.3  | V    |
| Cut-off frequency                    | $I_F = 10\text{ mA}$ , $V_{CE} = 5\text{ V}$ ,<br>$R_L = 100\text{ }\Omega$ | $f_c$       |      | 110  |      | kHz  |
| Coupling capacitance                 | $f = 1\text{ MHz}$  | $C_k$       |      | 0.6  |      | pF   |

**Note**

$T_{amb} = 25\text{ }^{\circ}\text{C}$ , unless otherwise specified.

Minimum and maximum values are testing requirements. Typical values are characteristics of the device and are the result of engineering evaluation. Typical values are for information only and are not part of the testing requirements.



| CURRENT TRANSFER RATIO |   |        |        |      |      |      |      |
|------------------------|---|--------|--------|------|------|------|------|
| PARAMETER              | TEST CONDITION                            | PART   | SYMBOL | MIN. | TYP. | MAX. | UNIT |
| $I_C/I_F$              | $V_{CE} = 5\text{ V}, I_F = 5\text{ mA}$  | K817P  | CTR    | 50   |      | 600  | %    |
|                        | $V_{CE} = 5\text{ V}, I_F = 10\text{ mA}$ | K817P1 | CTR    | 40   |      | 80   | %    |
|                        |   | K817P2 | CTR    | 63   |      | 125  | %    |
|                        |   | K817P3 | CTR    | 100  |      | 200  | %    |
|                        |   | K817P4 | CTR    | 160  |      | 320  | %    |
|                        | $V_{CE} = 5\text{ V}, I_F = 5\text{ mA}$  | K817P5 | CTR    | 50   |      | 150  | %    |
|                        |   | K817P6 | CTR    | 100  |      | 300  | %    |
|                        |   | K817P7 | CTR    | 80   |      | 160  | %    |
|                        |   | K817P8 | CTR    | 130  |      | 260  | %    |
| K817P9                 |   | CTR    | 200    |      | 400  | %    |      |

| SAFETY AND INSULATION RATED PARAMETERS                  |  |            |           |      |      |                  |
|---|--|------------|-----------|------|------|------------------|
| PARAMETER   | TEST CONDITION   | SYMBOL     | MIN.      | TYP. | MAX. | UNIT             |
| Partial discharge test voltage - routine test           | 100 %, $t_{test} = 1\text{ s}$   | $V_{pd}$   | 1.6       |      |      | kV               |
| Partial discharge test voltage - lot test (sample test) | $t_{Tr} = 60\text{ s}, t_{test} = 10\text{ s}$ ,<br>(see figure 2)                       | $V_{pd}$   | 1.36      |      |      | kV               |
| Insulation resistance                                   | $V_{IO} = 500\text{ V}$  | $R_{IO}$   | $10^{12}$ |      |      | $\Omega$         |
|   | $V_{IO} = 500\text{ V}, T_{amb} = 100\text{ }^\circ\text{C}$                             | $R_{IO}$   | $10^{11}$ |      |      | $\Omega$         |
|   | $V_{IO} = 500\text{ V}, T_{amb} = 150\text{ }^\circ\text{C}$<br>(construction test only) | $R_{IO}$   | $10^9$    |      |      | $\Omega$         |
| Rated impulse voltage                                   |  | $V_{IOTM}$ |           |      | 6000 | $V_{peak}$       |
| Max. working voltages                                   | Recurring peak voltage   | $V_{IORM}$ |           |      | 850  | $V_{peak}$       |
| Forward current   |  | $I_{SI}$   |           |      | 130  | mA               |
| Power dissipation                                       |  | $P_{SO}$   |           |      | 265  | mW               |
| Safety temperature                                      |  | $T_{si}$   |           |      | 150  | $^\circ\text{C}$ |
| Creepage distance                                       |  |            |           |      | 7.6  | mm               |

**Note**

- According to DIN EN 60747-5-5 (VDE 0884) (see figure 2). This optocoupler is suitable for safe electrical isolation only within the safety ratings. Compliance with the safety ratings shall be ensured by means of suitable protective circuits.

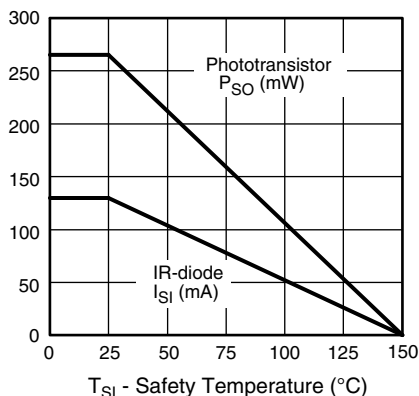


Fig. 2 - Derating Diagram

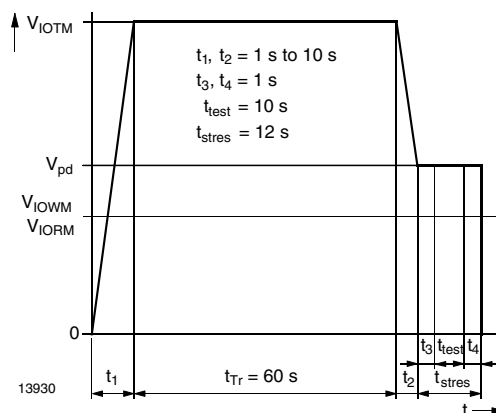
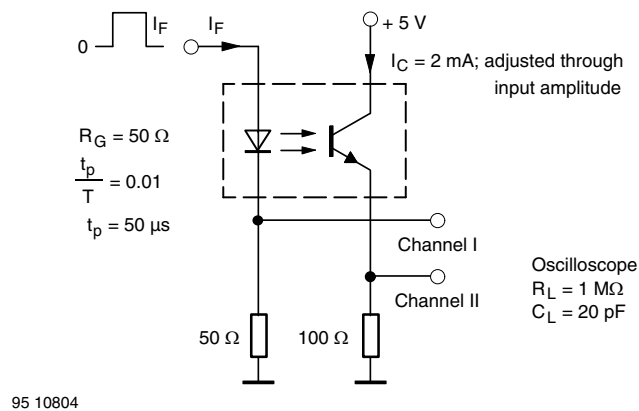


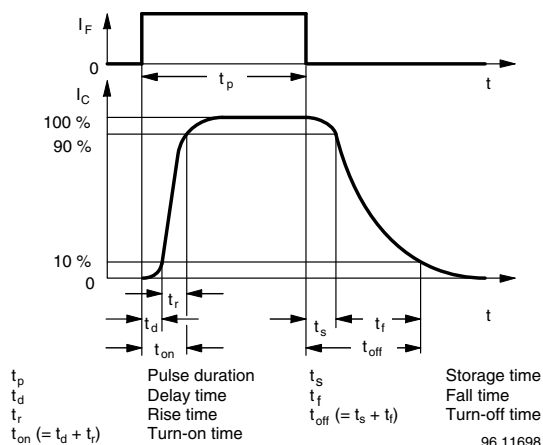
Fig. 3 - Test Pulse Diagram for Sample Test According to DIN EN 60747-5-2 (VDE 0884); IEC 60747-5-5

| SWITCHING CHARACTERISTICS |   |           |      |      |      |               |
|---------------------------|---|-----------|------|------|------|---------------|
| PARAMETER                 | TEST CONDITION  | SYMBOL    | MIN. | TYP. | MAX. | UNIT          |
| Delay time                | $V_S = 5\text{ V}$ , $I_C = 2\text{ mA}$ , $R_L = 100\ \Omega$<br>(see figure 1)    | $t_d$     |      | 3    |      | $\mu\text{s}$ |
| Rise time                 | $V_S = 5\text{ V}$ , $I_C = 2\text{ mA}$ , $R_L = 100\ \Omega$<br>(see figure 1)    | $t_r$     |      | 3    |      | $\mu\text{s}$ |
| Fall time                 | $V_S = 5\text{ V}$ , $I_C = 2\text{ mA}$ , $R_L = 100\ \Omega$<br>(see figure 1)    | $t_f$     |      | 4.7  |      | $\mu\text{s}$ |
| Storage time              | $V_S = 5\text{ V}$ , $I_C = 2\text{ mA}$ , $R_L = 100\ \Omega$<br>(see figure 1)    | $t_s$     |      | 0.3  |      | $\mu\text{s}$ |
| Turn-on time              | $V_S = 5\text{ V}$ , $I_C = 2\text{ mA}$ , $R_L = 100\ \Omega$<br>(see figure 1)    | $t_{on}$  |      | 6    |      | $\mu\text{s}$ |
| Turn-off time             | $V_S = 5\text{ V}$ , $I_C = 2\text{ mA}$ , $R_L = 100\ \Omega$<br>(see figure 1)    | $t_{off}$ |      | 5    |      | $\mu\text{s}$ |
| Turn-on time              | $V_S = 5\text{ V}$ , $I_F = 10\text{ mA}$ , $R_L = 1\text{ k}\Omega$ (see figure 2) | $t_{on}$  |      | 3    |      | $\mu\text{s}$ |
| Turn-off time             | $V_S = 5\text{ V}$ , $I_F = 10\text{ mA}$ , $R_L = 1\text{ k}\Omega$ (see figure 2) | $t_{off}$ |      | 10   |      | $\mu\text{s}$ |



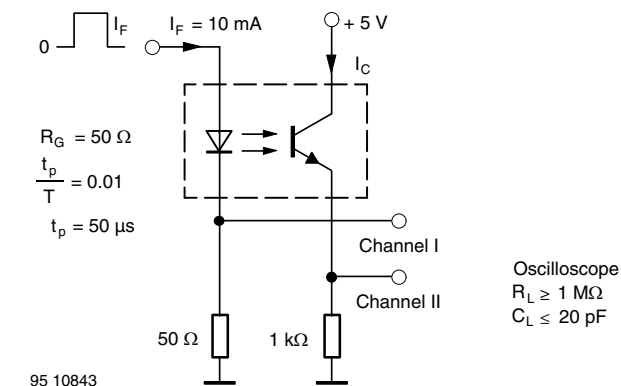
95 10804

Fig. 1 - Test Circuit, Non-Saturated Operation



$t_p$  Pulse duration  
 $t_d$  Delay time  
 $t_r$  Rise time  
 $t_{on} (= t_d + t_r)$  Turn-on time  
 $t_s$  Storage time  
 $t_f$  Fall time  
 $t_{off} (= t_s + t_f)$  Turn-off time  
 96 11698

Fig. 3 - Switching Times



95 10843

Fig. 2 - Test Circuit, Saturated Operation



**TYPICAL CHARACTERISTICS** ( $T_{amb} = 25\text{ }^{\circ}\text{C}$ , unless otherwise specified)

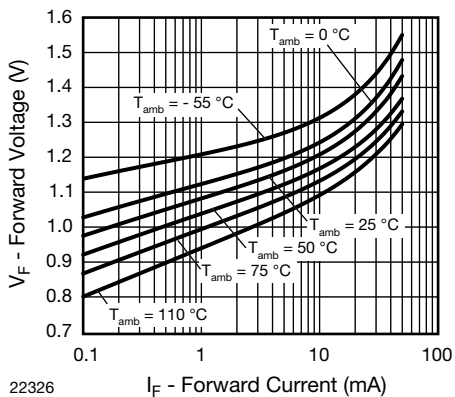


Fig. 4 - Forward Voltage vs. Forward Current

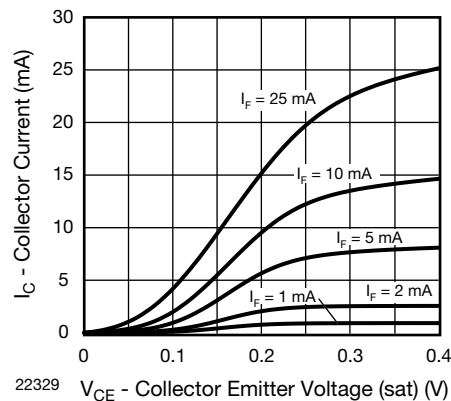


Fig. 7 - Collector Current vs. Collector Emitter Voltage (saturated)

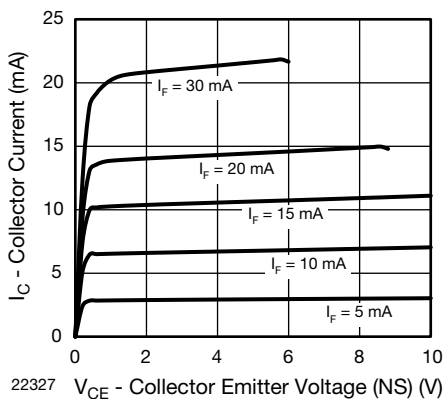


Fig. 5 - Collector Current vs. Collector Emitter Voltage (non-saturated)

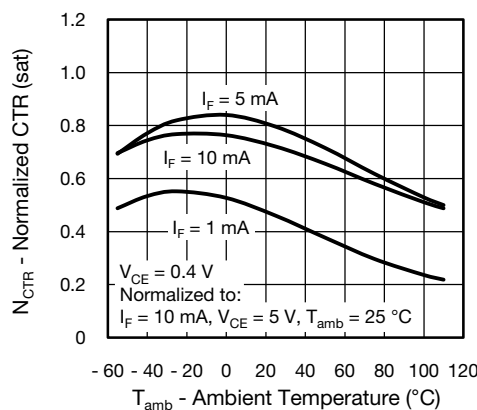


Fig. 8 - Normalized CTR (saturated) vs. Ambient Temperature

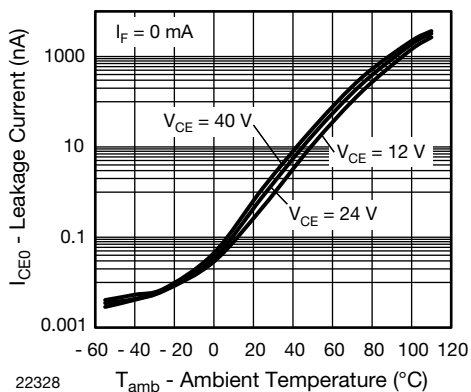


Fig. 6 - Leakage Current vs. Ambient Temperature

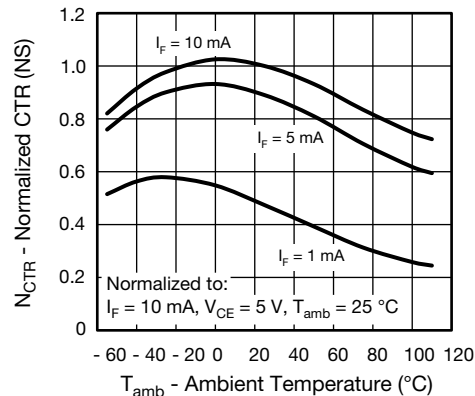


Fig. 9 - Normalized CTR (non-saturated) vs. Ambient Temperature

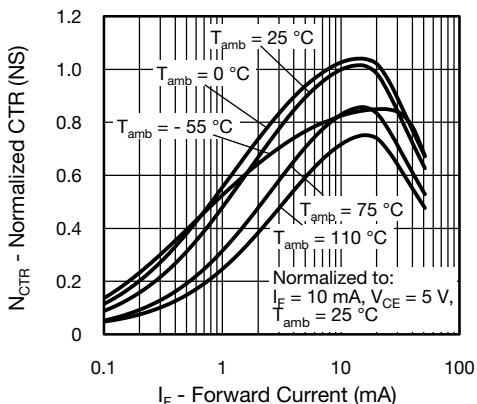


Fig. 10 - Normalized CTR (non-saturated) vs. Forward Current

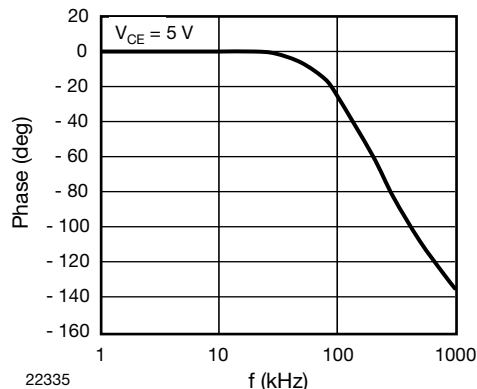


Fig. 13 -  $F_{CTR}$  vs. Phase Angle (kHz)

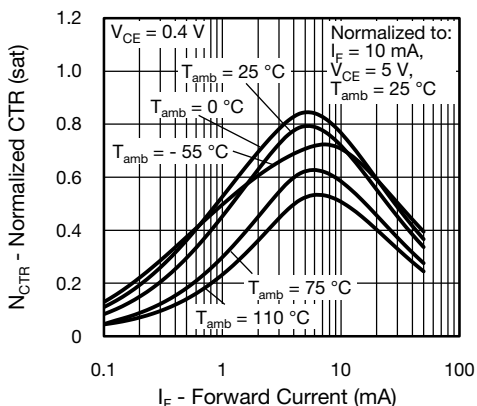


Fig. 11 - Normalized CTR (saturated) vs. Forward Current

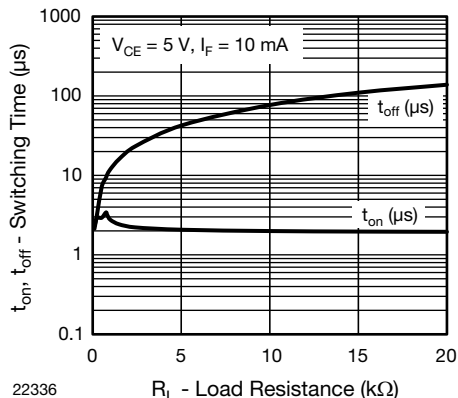


Fig. 14 - Switching Time vs. Load Resistance

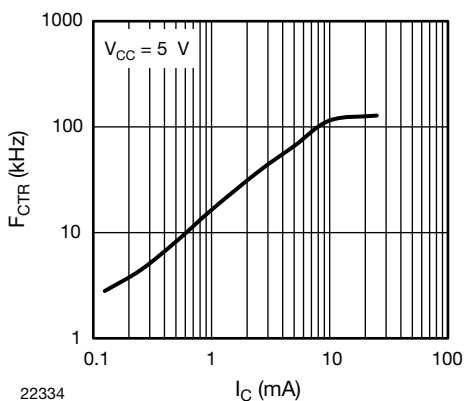
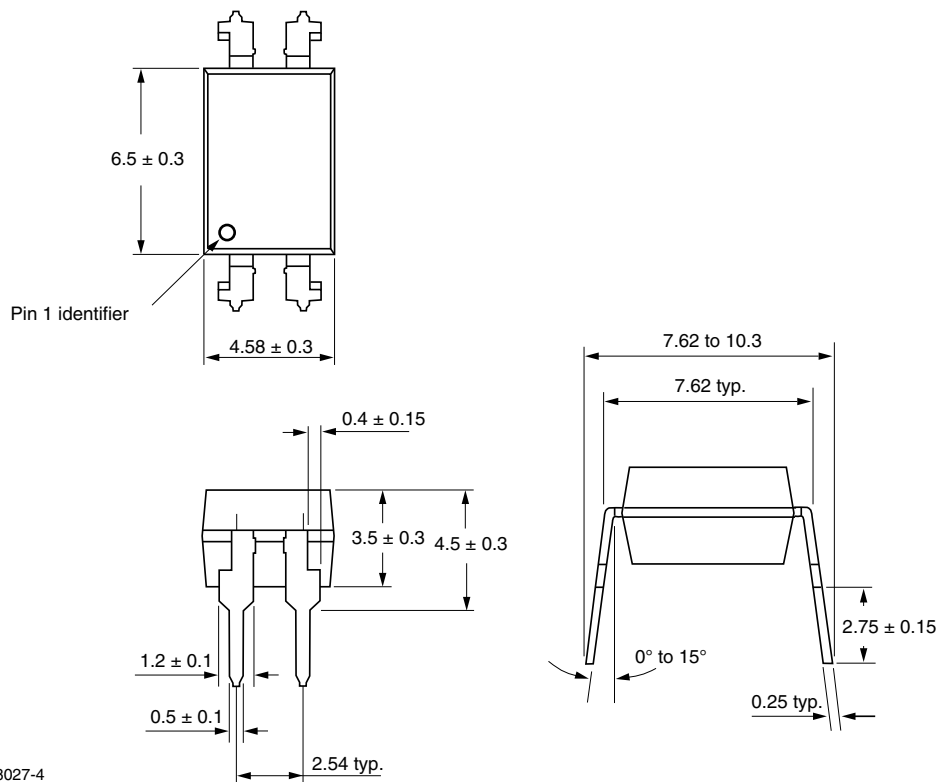


Fig. 12 -  $F_{CTR}$  vs.  $I_C$  (saturated) (mA)

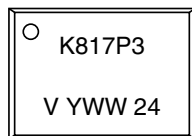


**PACKAGE DIMENSIONS** in millimeters



i178027-4

**PACKAGE MARKING**





## **Disclaimer**

ALL PRODUCT, PRODUCT SPECIFICATIONS AND DATA ARE SUBJECT TO CHANGE WITHOUT NOTICE TO IMPROVE RELIABILITY, FUNCTION OR DESIGN OR OTHERWISE.

Vishay Intertechnology, Inc., its affiliates, agents, and employees, and all persons acting on its or their behalf (collectively, "Vishay"), disclaim any and all liability for any errors, inaccuracies or incompleteness contained in any datasheet or in any other disclosure relating to any product.

Vishay makes no warranty, representation or guarantee regarding the suitability of the products for any particular purpose or the continuing production of any product. To the maximum extent permitted by applicable law, Vishay disclaims (i) any and all liability arising out of the application or use of any product, (ii) any and all liability, including without limitation special, consequential or incidental damages, and (iii) any and all implied warranties, including warranties of fitness for particular purpose, non-infringement and merchantability.

Statements regarding the suitability of products for certain types of applications are based on Vishay's knowledge of typical requirements that are often placed on Vishay products in generic applications. Such statements are not binding statements about the suitability of products for a particular application. It is the customer's responsibility to validate that a particular product with the properties described in the product specification is suitable for use in a particular application. Parameters provided in datasheets and / or specifications may vary in different applications and performance may vary over time. All operating parameters, including typical parameters, must be validated for each customer application by the customer's technical experts. Product specifications do not expand or otherwise modify Vishay's terms and conditions of purchase, including but not limited to the warranty expressed therein.

Except as expressly indicated in writing, Vishay products are not designed for use in medical, life-saving, or life-sustaining applications or for any other application in which the failure of the Vishay product could result in personal injury or death. Customers using or selling Vishay products not expressly indicated for use in such applications do so at their own risk. Please contact authorized Vishay personnel to obtain written terms and conditions regarding products designed for such applications.

No license, express or implied, by estoppel or otherwise, to any intellectual property rights is granted by this document or by any conduct of Vishay. Product names and markings noted herein may be trademarks of their respective owners.



# Mouser Electronics

Authorized Distributor

Click to View Pricing, Inventory, Delivery & Lifecycle Information:

[Vishay:](#)

[K817P8](#) [K817P](#) [K817P1](#) [K817P2](#) [K817P3](#) [K817P4](#) [K817P5](#) [K817P6](#) [K817P7](#) [K817P9](#)