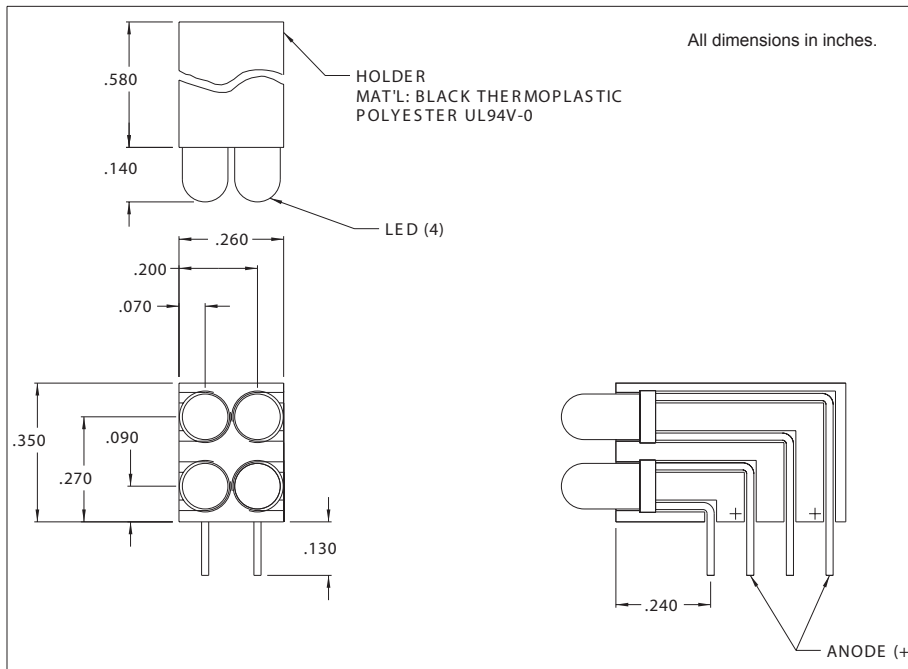


## 5684F Series PC Board Quad Array T-1 LEDs

### Description and Features



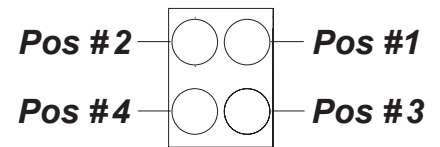
#### Features

- 4 T-1 LEDs mounted in single block
- High density - only 0.26" wide
- Black plastic mounting block for high contrast ratio.
- Meets UL 94V-0 and Bellcore flammability specifications .
- RoHS Compliant

#### Available options :

- Low current, 5V and 12V built-in resistors .
- Bi-color and blue LEDs also offered.
- Call factory for ordering information.

Refer to "Mounting Hole Pattern 2.pdf"



Ordering Information: Use chart below to determine model number.

	Red	Amber	Green	Yellow
LED	1	3	5	7

Model No. is as follows: 5684F \_ Pos. 1 \_ Pos. 2 \_ Pos. 3 \_ Pos. 4

Example: Position 1 is green, position 2 is red, position 3 is yellow, position 4 is amber. The part number is 5684F5\_1\_7\_3.

## Electro-Optical Characteristics and Ratings

Part Number	Emitted Color	Rated Current (mA)	Typ. Intensity (mcd)	Continuous Forward Current Max. (mA)	Forward Voltage		Reverse Breakdown Voltage Min.(V)	Peak Wavelength (nm)
					Typ. (V)	Max. (V)		
5684F1_1_1_1	Red	10	10	25	2.2	3.0	5.0	635
5684F3_3_3_3	Amber	10	6.5	25	2.2	3.0	5.0	602
5684F5_5_5_5	Green	10	8.5	25	2.3	3.0	5.0	565
5684F7_7_7_7	Yellow	10	10	25	2.2	3.0	5.0	583

# Mouser Electronics

Authorized Distributor

Click to View Pricing, Inventory, Delivery & Lifecycle Information:

VCC:

[5684F1;1;1;1](#) [5684F5;5;5;5](#) [5684F3;1;5;7](#) [5684F3;3;3;3](#) [5684F3;5;3;3](#) [5684F1;1;5;5](#) [5684F7;7;7;7](#)