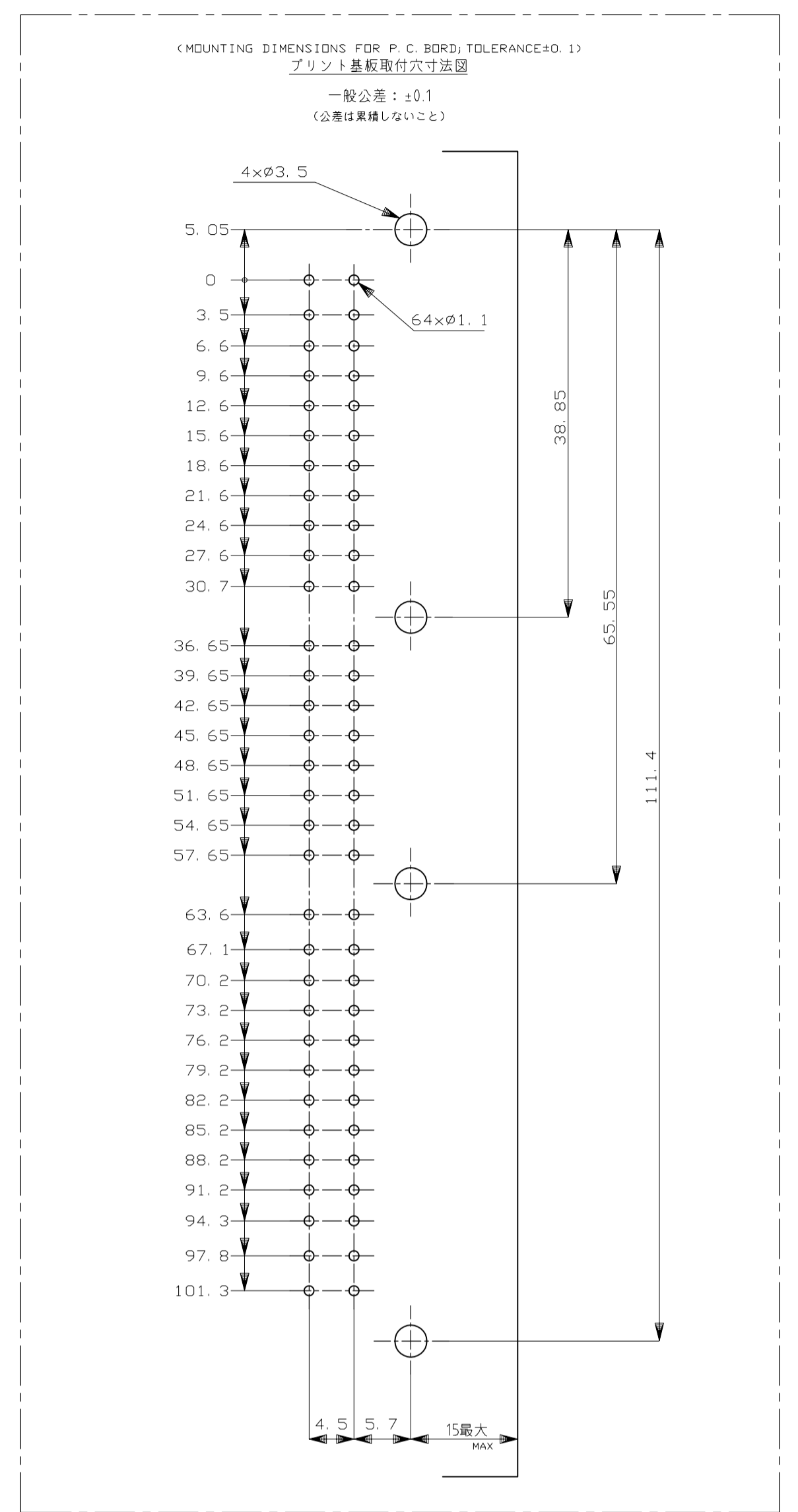
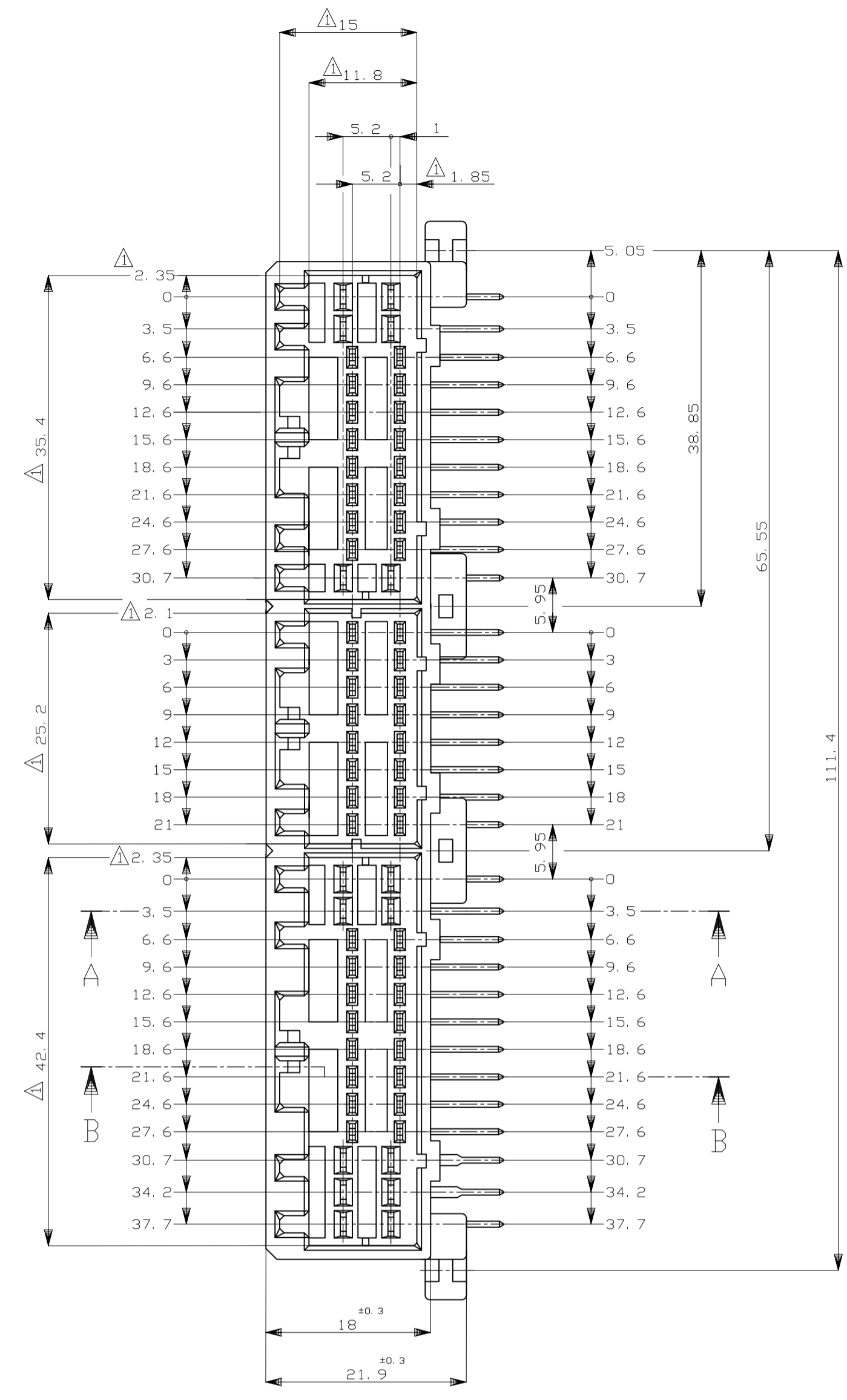
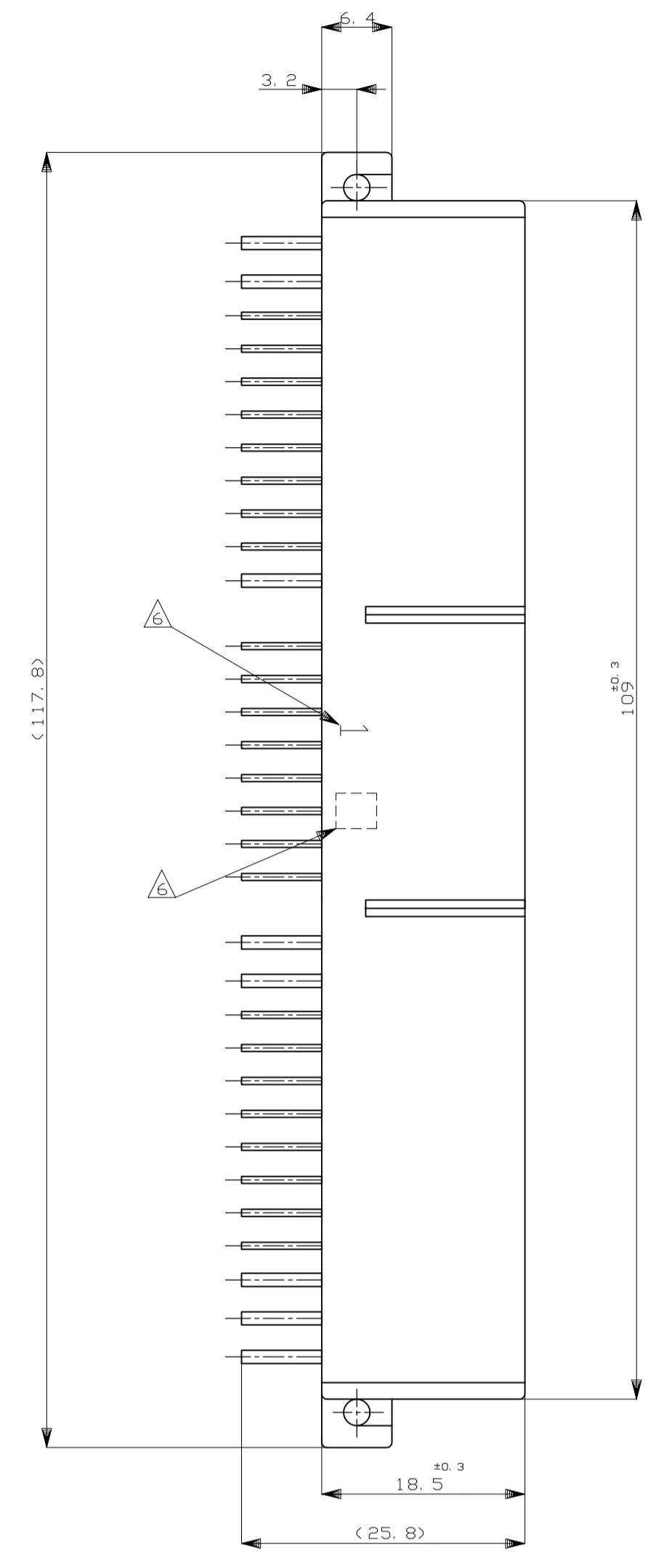
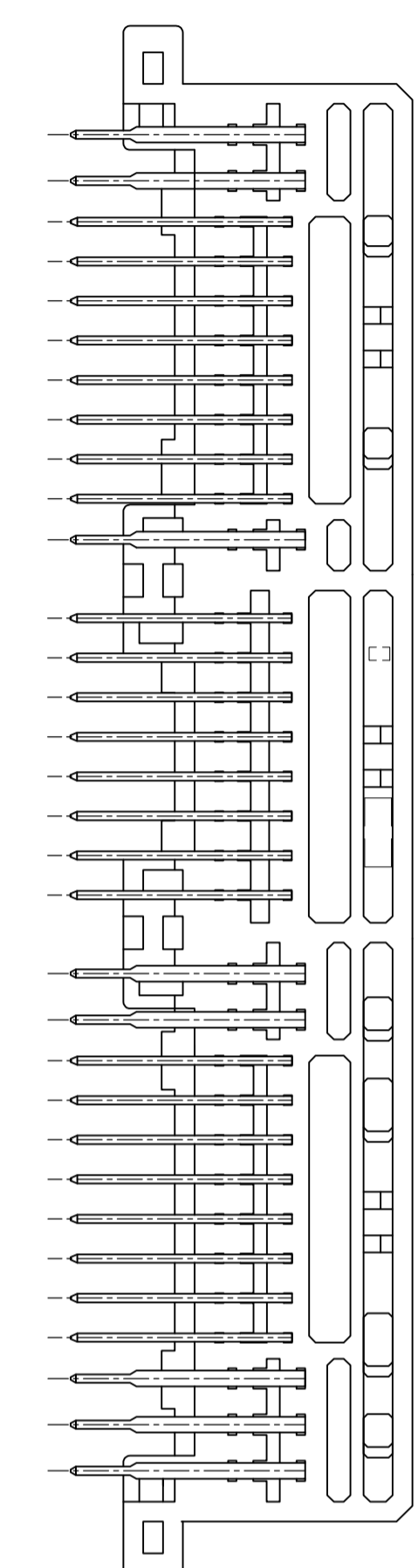
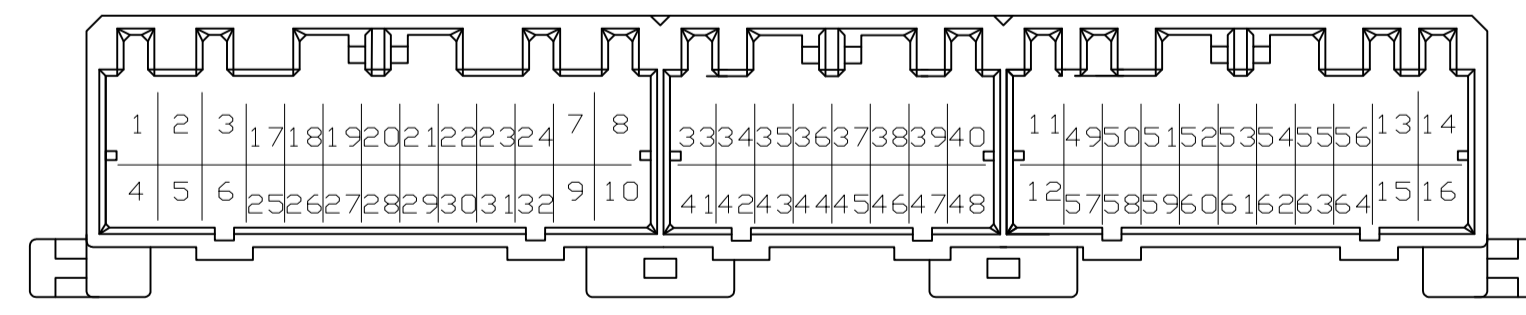


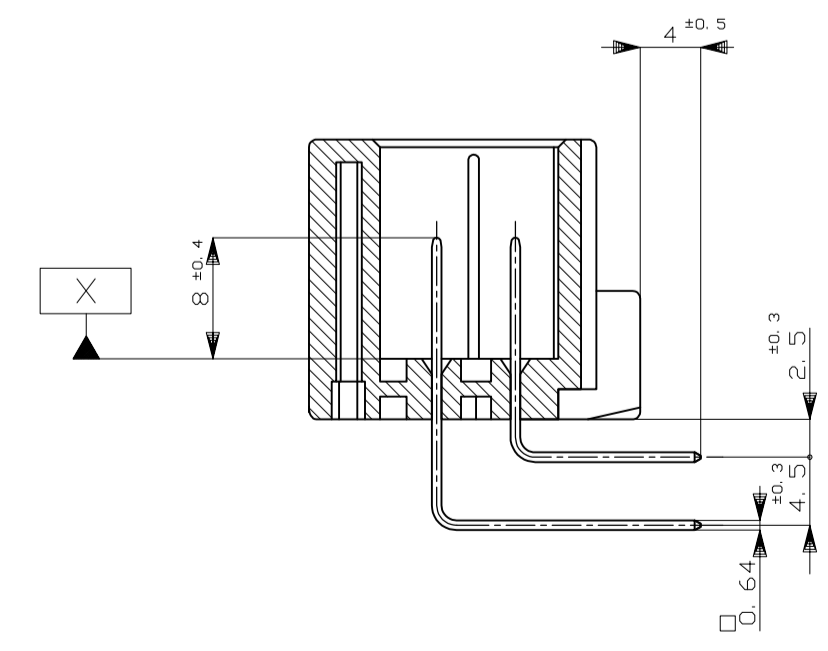
REVISIONS					
REV	DATE	DESCRIPTION	BY	CHK	APPV
H6	17AUG16	OBsolete 9--7	ECR-16-003196	KF	HY



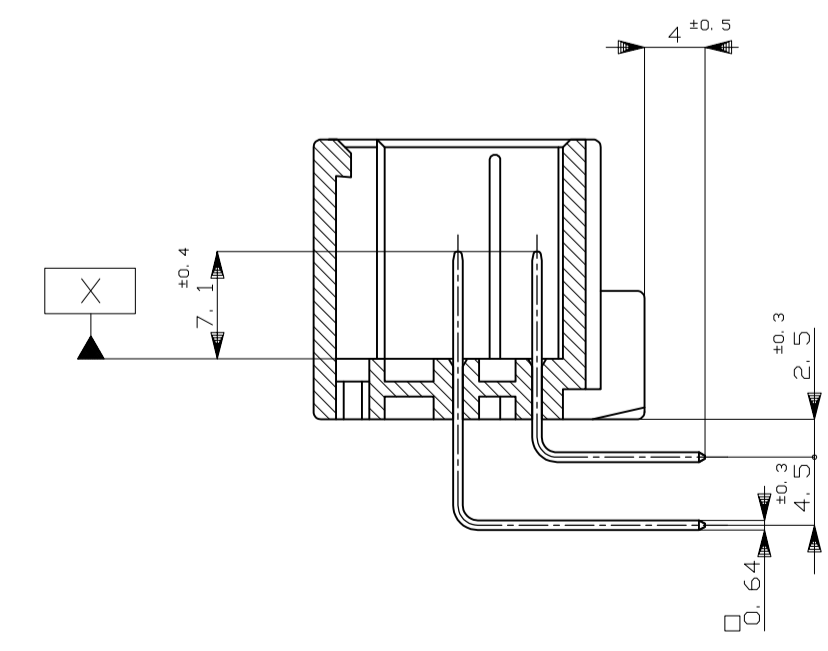
- △ [X] 面から2mmの範囲で測定
- 2. 嵌合相手ハウジング型 174516, 174515, 174514, 917992, 917989, 917981
- 3. 推奨取付ねじ: JIS B1115, B1112 タップピンねじ, なべ2種  
呼び径3, 長さ6mm以下 (締付けトルク: 0.4N-m (4kg-cm) 以下)
- 4. 適用製品規格番号: 108-5280, 108-5342
- △ 回路番号:  
 パワー回路 ①~⑬  
 シグナル回路 ⑰~⑳



- △ 適用製品型番のプリフィックス及びIDマークを  
カバーホットマークにて表示
- 1. MUST BE KEPT BETWEEN [X] AND 2
- 2. THE MATING PLUG HSG.PART NUMBER:174516, 174515, 174514, 917992, 917989, 917981
- 3. RECOMMENDED MOUNTING SCREW:3mmDIA,6mmLENGTH(MAX.)  
PAN HEAD,CLASS 2 TAPPING SCREW SPECIFIED IN JIS B1115,B1122  
(TIGHTENING TORQUE:0.4N-m(4kg-cm) MAX.)
- 4. APPLICABLE PRODUCT SPEC NO.: 108-5280, 108-5342
- △ CIRCUIT NUMBER  
POWER CIRCUIT NO. ①~⑬  
SIGNAL CIRCUIT NO. ⑰~⑳
- △ INDICATED PREFIX AND ID MARK OF PRODUCT P/N BY COLOR HOT MARK



A-A



B-B

REV	DESCRIPTION	DATE	BY	CHK	APPV
59	SELECTIVE-TIN (MATT) PRE-TIN x 56				
51	SELECTIVE-TIN (MATT) PRE-TIN x 56				
52	SELECTIVE-TIN (MATT) PRE-TIN x 56				
59	SELECTIVE-TIN (MATT) PRE-TIN x 56				
56	SELECTIVE-TIN (MATT) PRE-TIN x 56				
9	TIN-LEAD PRE-TIN x 56				
8	TIN-LEAD PRE-TIN x 56				
9	TIN-LEAD PRE-TIN x 56				
7	TIN-LEAD PRE-TIN x 56				
6	TIN-LEAD PRE-TIN x 56				
5	TIN-LEAD PRE-TIN x 56				
4	TIN-LEAD PRE-TIN x 56				
3	TIN-LEAD PRE-TIN x 56				
3	TIN-LEAD PRE-TIN x 56				
2	TIN-LEAD PRE-TIN x 56				
2	TIN-LEAD PRE-TIN x 56				
1	TIN-LEAD PRE-TIN x 56				
1	TIN-LEAD PRE-TIN x 56				
0	PRE-TIN x 64				
0	PRE-TIN x 64				

THIS DRAWING IS A CONTROLLED DOCUMENT.

DIN: T. SHINOHARA 12FEB08  
 CHK: K. BETSUJI 12FEB08  
 APPV: K. BETSUJI 12FEB08

PRODUCT SPEC: 64 POSITION CAP HOUSING ASSEMBLY  
 APPLICATION SPEC: 040/070 SERIES HYBRID I/O CONNECTOR

WEIGHT: 29.9 g  
 SIZE: A1  
 CUSTOMER DRAWING

SCALE: 2:1  
 SHEET: 1 of 1  
 REV: H6

# Mouser Electronics

Authorized Distributor

Click to View Pricing, Inventory, Delivery & Lifecycle Information:

[TE Connectivity:](#)

[174518-7](#)