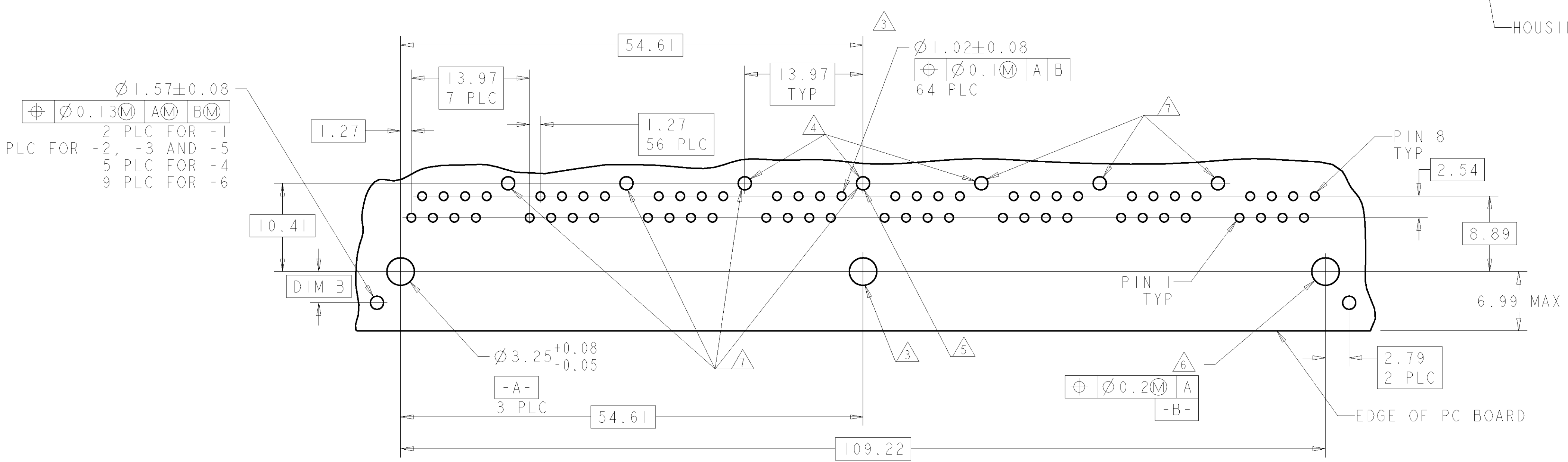
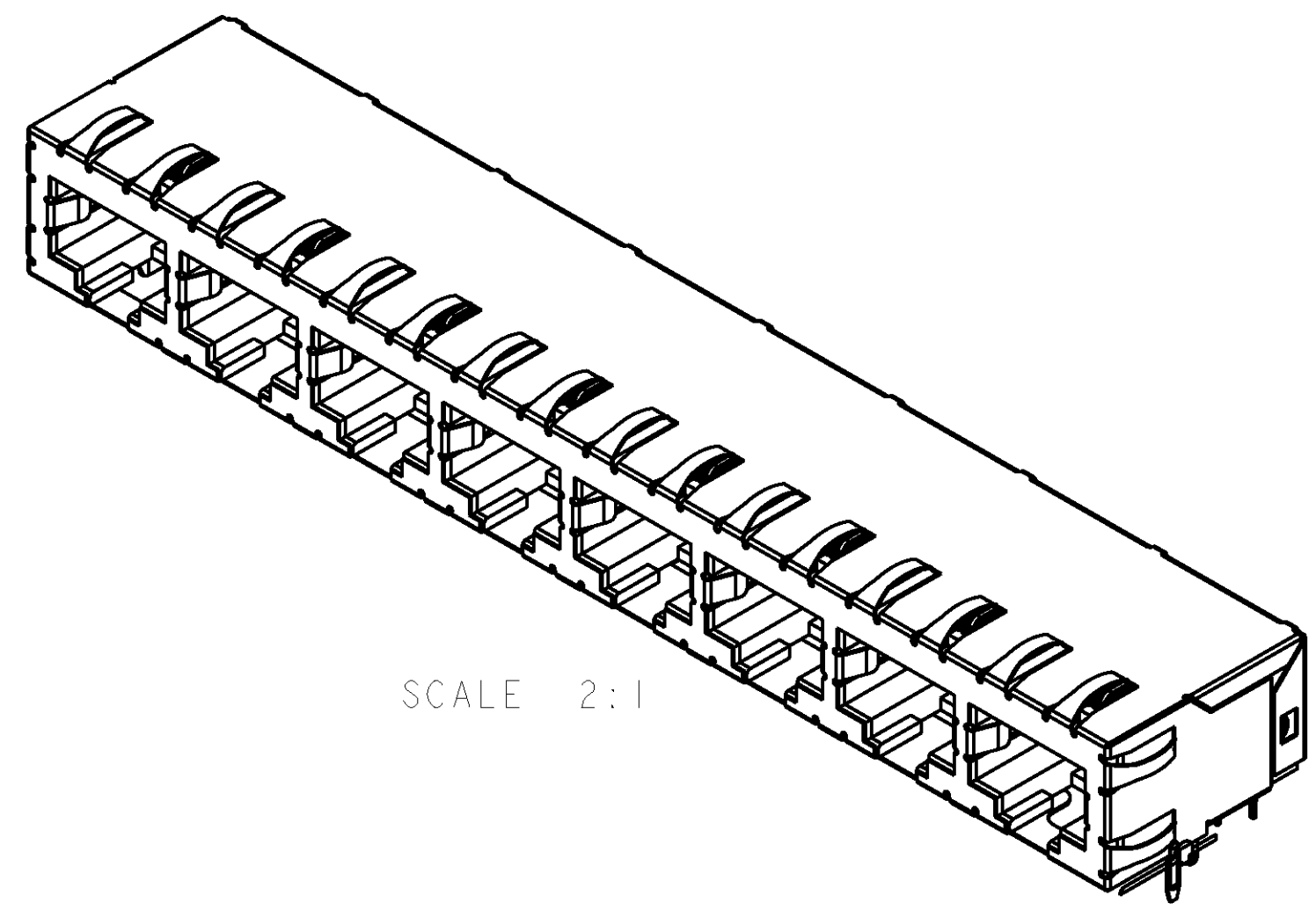


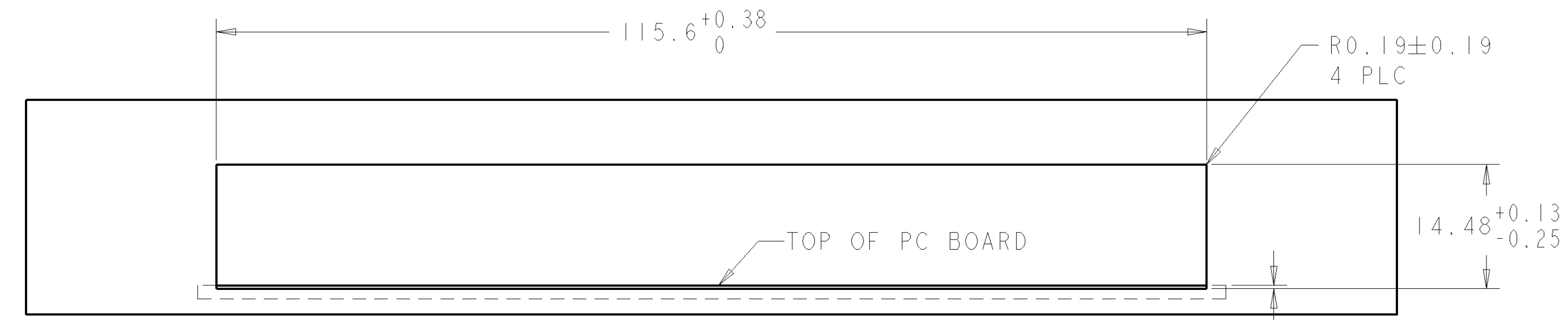
- △ HOUSING: PCT POLYESTER, BLACK, UL 94V-0. IR REFLOW PROCESS COMPATIBLE.
- TERMINALS: 0.305 THICK PHOS BRONZE PLATED WITH 1.27µm MINIMUM THICK HARD GOLD IN LOCALIZED AREA AND 2.03µm MINIMUM THICK MATTE TIN IN SOLDER AREA OVER 1.27µm MINIMUM THICK NICKEL UNDERPLATE.
- SHIELD: 0.196 THICK COPPER ALLOY PLATED WITH 1.27µm MINIMUM NICKEL AND 2.03µm MINIMUM HOT TIN DIP ON PCB GROUND TABS.
- △ 2 JACK CAVITY CONFORMS TO FCC RULES AND REGULATIONS, PART 68 SUBPART F
- △ 3 CENTER BOARD LOCATOR AND PCB HOLE REQUIRED FOR ALL, EXCEPT -1
- △ 4 PCB HOLES/TABS USED FOR -4
- △ 5 PCB HOLES/TABS USED FOR -2, -3, AND -5
- △ 6 USE #30 DRILL BIT OR 3.25mm DRILL BIT WHEN PRODUCING THESE PCB HOLES
- △ 7 PCB HOLES/TABS USED FOR -6
- 8. RECOMMENDED APPLICATIONS: FAST ETHERNET, 10 BASE-T ETHERNET, AND 10/100 BASE-T ETHERNET (CAT 5 TWO PAIR 1/2, 3/6)
- △ 9 OBSOLETE PARTS: OBSOLETE CIS STREAMLINING PER D.RENAUD/D.SINISI



PC BOARD VIEWED FROM COMPONENT SIDE OF BOARD
SCALE 3:1



SCALE 2:1



SUGGESTED PANEL CUTOUT DIMENSIONS
SCALE 2:1

3.56	3.68	7	3	3.56	6339169-6
3.15	4.57	1	3	3.56	6339169-5
3.56	3.68	3	3	3.56	△ 9 6339169-4
3.56	4.57	1	3	3.56	6339169-3
3.56	3.68	1	3	3.56	6339169-2
3.56	4.57	0	2	3.56	△ 9 6339169-1
DIM C	DIM B	NUMBER OF REAR PCB TABS	NUMBER OF BOARD LOCATORS	DIM A	PART NO.

DIMENSIONS: mm		TOLERANCES UNLESS OTHERWISE SPECIFIED:		DRAWN: L. VARELA - DOCK 5		DATE: 23 JUN 2005		TE Connectivity	
9 PLC	±.25	9 PLC	±.25	CHK: J. WESTMAN	DATE: 23 JUN 2005	NAME: ASSEMBLY, MULTI-PORT, 1X8, 8 POSITION, SHIELDED, WAVE PANEL GROUND			
3 PLC	±.25	3 PLC	±.25	APPD: S. FLICKINGER	DATE: 23 JUN 2005	PRODUCT SPEC: 108-1163-9		RESTRICTED TO:	
5 PLC	±.25	5 PLC	±.25	APPLICATION SPEC: 114-2048		SIZE: 4-1		OF 1	
4 PLC	±.25	4 PLC	±.25	MATERIAL: FINISH: #4		WEIGHT: -		REV B3	
MATERIAL: FINISH: #4		WEIGHT: -		CUSTOMER DRAWING		SCALE: 4:1		SHEET 1 OF 1	

Mouser Electronics

Authorized Distributor

Click to View Pricing, Inventory, Delivery & Lifecycle Information:

[TE Connectivity:](#)

[6339169-3](#)