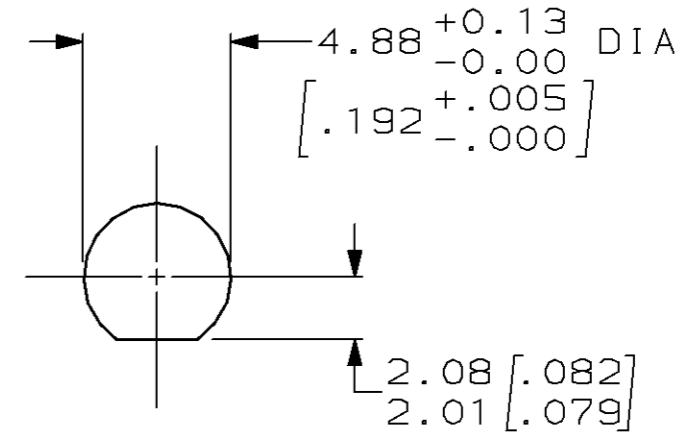
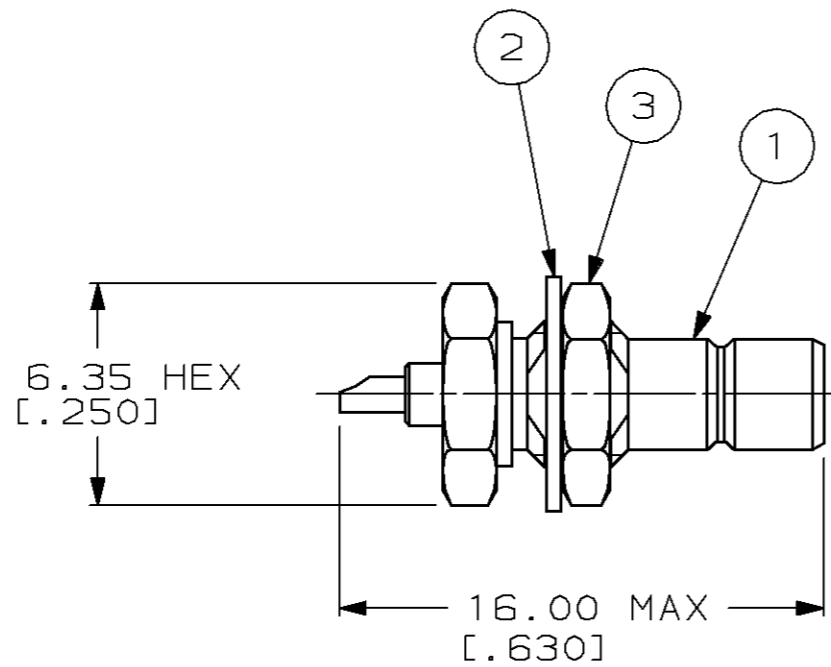


THIS DRAWING IS UNPUBLISHED. RELEASED FOR PUBLICATION, 19 .  
 © COPYRIGHT 19 BY AMP INCORPORATED. ALL INTERNATIONAL RIGHTS RESERVED.

LOC	DIST	P	F	ZONE	LTR	DESCRIPTION	DATE	APPD
AJ	16				B	REDRAWN ON CAD & REV PER ECN AJ-5848	4-23-92	BMW
		✓	✓		C	OBSOLETE -2 PER 0220-0018-95	20/JAN/95	BMW
					D	REV PER 0220-0269-95	25/APR/95	BMW
					E	REV PER 0220-0747-95	4-08-96	JC



SUGGESTED PANEL CUT-OUT

OBSOLETE	51766-2	51765-2	228218-2	228215-2
	414969-2	415001-2	228218-1	228215-1
③ JAM NUT QTY=1	② LOCKWASHER QTY=1	① BULKHEAD ASSEMBLY QTY=1	PART NUMBER	

DO NOT SCALE PRINT. UNLESS SPECIFIED DIMENSIONS IN mm [INCHES] TOLERANCES ON: 2 PLC DEC ± - 3 PLC DEC ± - ANGLES ± -	DR 4-23-92 J GALLUCCI BG	<b>AMP</b> AMP Incorporated Harrisburg, PA 17105-3608
	CHK 5-3-92 B. WERNER	
	APPD 5-3-92 G. MICHAEL	
	APPD 5-6-92 B. WERNER	
MATERIAL -	PRODUCT SPEC -	NAME CONNECTOR, COAXIAL, R.F. SERIES SMB REAR MOUNT BULKHEAD RECEPTACLE
FINISH -	APPLICATION SPEC -	SIZE <b>B</b> CAGE CODE 00779 DRAWING NO 228215
	WEIGHT -	SCALE 4:1 SHEET 1 OF 1

# Mouser Electronics

Authorized Distributor

Click to View Pricing, Inventory, Delivery & Lifecycle Information:

[TE Connectivity:](#)

[228215-1](#)