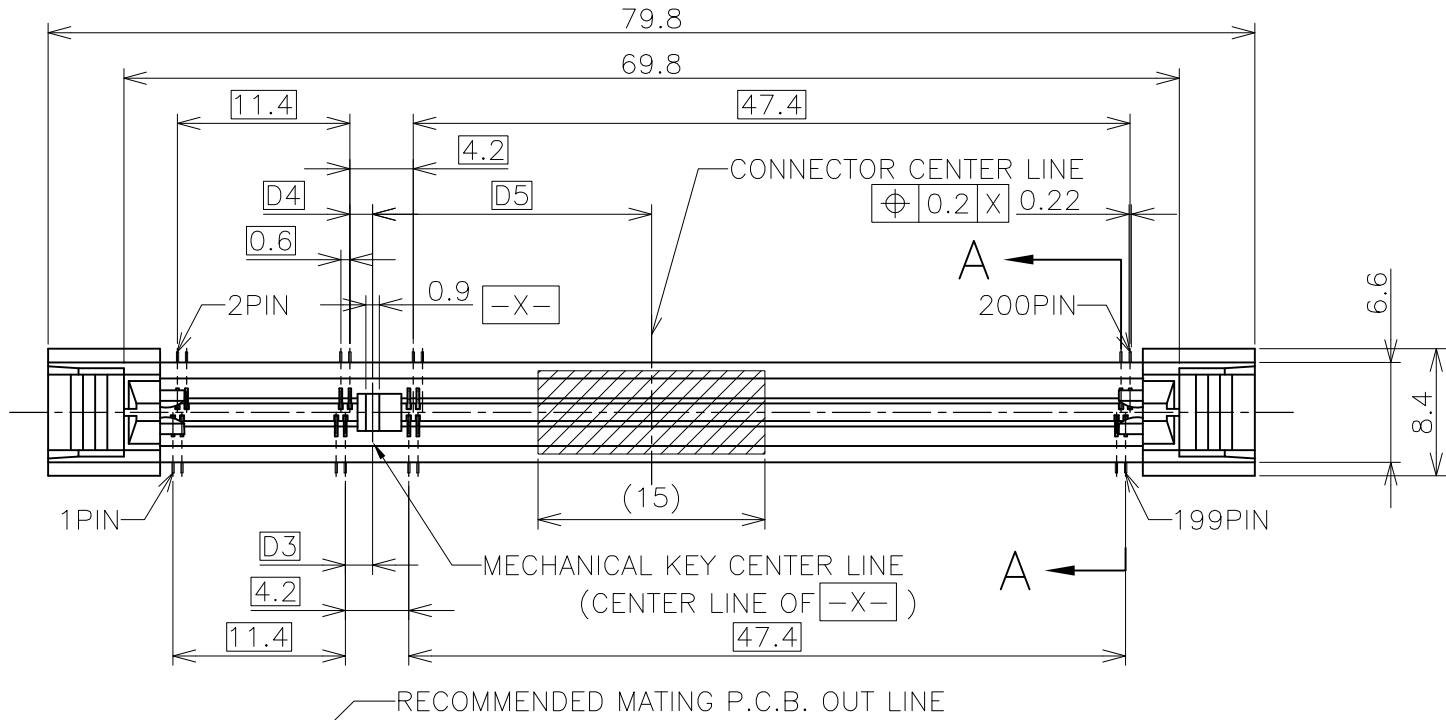
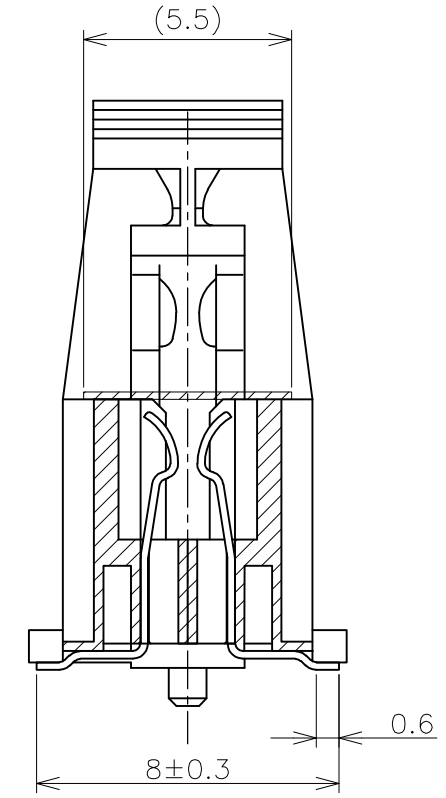
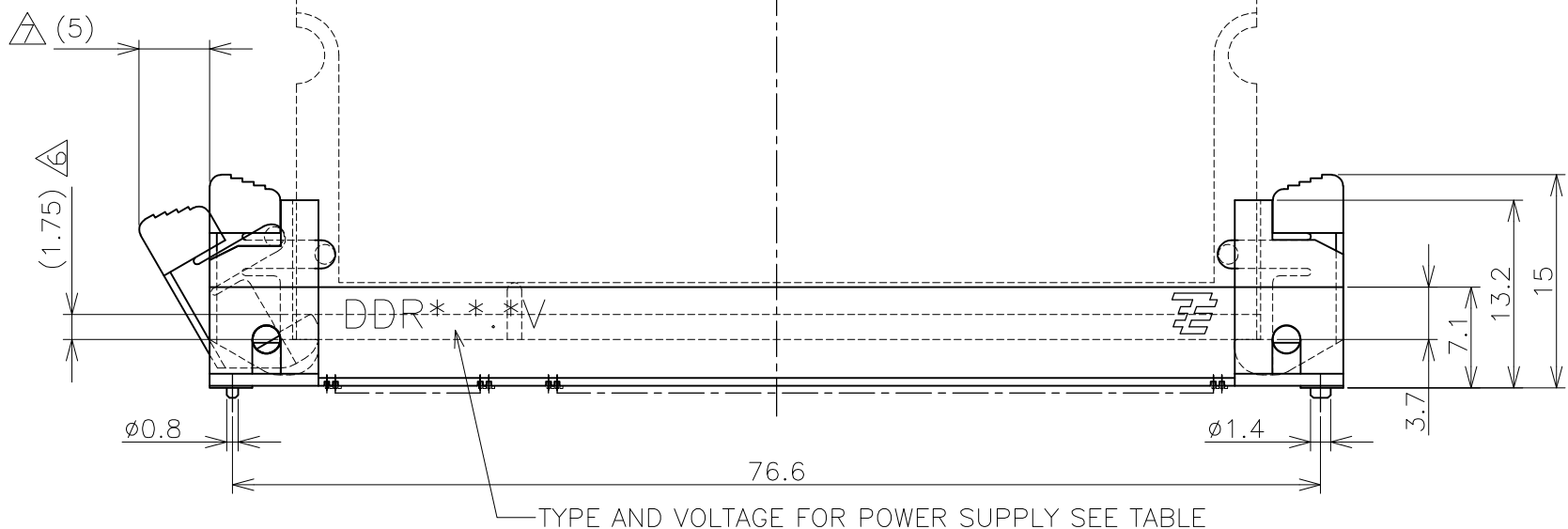


THIS DRAWING IS UNPUBLISHED. RELEASED FOR PUBLICATION
 © COPYRIGHT - By - ALL RIGHTS RESERVED.

LOC	DIST	REVISIONS					
		P	LTR	DESCRIPTION	DATE	DWN	APVD
J		D		REVISED PER ECR-12-005531	23MAR2012	W.W	C.W



- NOTES;(APPLIED TO SHEET 1-2)
- MATERIAL ; HOUSING: HIGH TEMPERATURE THERMO PLASTIC UL94V-0
 CONTACT: COPPER ARROY
 EJECTOR: HIGH TEMPERATURE THERMO PLASTIC UL94V-0
 - FINISH ; CONTACT AREA: GOLD FLASH, ALL OVER NICKEL.
 SOLDERING AREA: TIN PLATING, ALL OVER NICKEL.
- ⚠ MECHANICAL KEY POSITION OF CONNECTOR SEE TABLE.
 - ⚠ MODULE TYPE SEE TABLE.
 - ⚠ PWR SUPPLY SEE TABLE.
 - ⚠ THE VOLUME OF LIFTING UP BY EJECTOR.
 - ⚠ ADDITIONAL WIDTH BY EJECTING.
 - ⚠ TOLERANCES NON-CUMULATIVE.



A-A
(SCALE 5:1)

DDR2	1.8V	17.55	2.4	2.7	200	2040910-3
DDR2	1.8V	17.55	2.4	2.7	200	2040910-2
DDR1	2.5V	18.45	1.5	1.8	200	2040910-1
TYPE	POWER SUPPLY	D5	D4	D3	POS	PART NO.

THIS DRAWING IS A CONTROLLED DOCUMENT.

DWN T.FUMIKURA 20NOV2008
 CHK K.IKEGAMI 20NOV2008
 APVD K.IKEGAMI 20NOV2008

PRODUCT SPEC
 製品規格
 108-78628

APPLICATION SPEC
 取付適用規格

WEIGHT 4.77g

SIZE A3 CAGE CODE 00779 DRAWING NO 番号 C-2040910 RESTRICTED TO

CUSTOMER DRAWING SCALE 尺度 2:1 SHEET 1 OF 4 REV D

TE Connectivity

DDR SODIMM SOCKET 0.6mm PITCH
 200POS VERTICAL TYPE

GENERAL TOLERANCE

10 ≥	±0.2
30 ≥	>10 ; ±0.25
100 ≥	>30 ; ±0.3
ANGLE ; ±3°	

DIMENSIONS: 単位: 耗 MM	TOLERANCES UNLESS OTHERWISE SPECIFIED: 一般公差
0 PLC ± -	1 PLC ± -
2 PLC ± -	3 PLC ± -
4 PLC ± -	ANGLES ± 3°
MATERIAL 材料	FINISH 仕上
SEE NOTES	SEE NOTES

THIS DRAWING IS UNPUBLISHED.

RELEASED FOR PUBLICATION

© COPYRIGHT - By -

ALL RIGHTS RESERVED.

LOC

DIST

REVISIONS

変更

DESCRIPTION

DATE

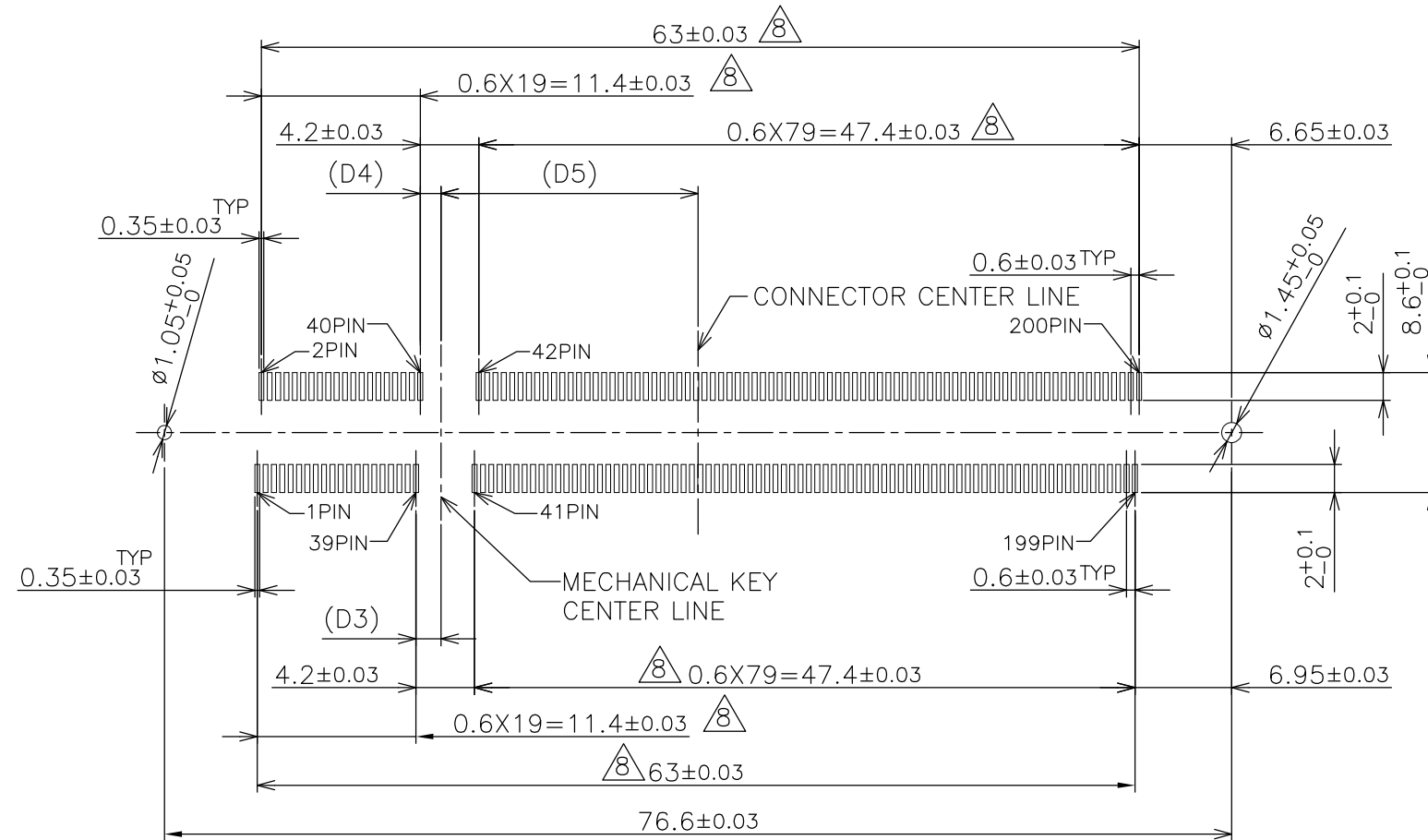
DWN

APVD

P

LTR

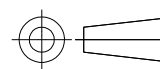
SEE SHEET 1



REFERENCE P.C.B PATTERN LAYOUT (CONNECTOR MOUNTING SIDE)

THIS DRAWING IS A CONTROLLED DOCUMENT.

DIMENSIONS: 单位: 耗 MM



MATERIAL 材料 SEE NOTES

TOLERANCES UNLESS OTHERWISE SPECIFIED: 一般公差

- 0 PLC ± -
- 1 PLC ± -
- 2 PLC ± -
- 3 PLC ± -
- 4 PLC ± -
- ANGLES ± 3'

FINISH 仕上 SEE NOTES

DWN

CHK

APVD

PRODUCT SPEC

製品規格

APPLICATION SPEC

取付適用規格

WEIGHT



NAME 名称

DDR SODIMM SOCKET 0.6mm PITCH 200POS VERTICAL TYPE

SIZE

CAGE CODE

DRAWING NO 番号

RESTRICTED TO

A3

00779

G-2040910

CUSTOMER DRAWING

SCALE 尺度 2:1

SHEET 2 OF 4

REV D

THIS DRAWING IS UNPUBLISHED.

RELEASED FOR PUBLICATION

ALL RIGHTS RESERVED.

© COPYRIGHT - By -

LOC	DIST
J	/

REVISIONS

変更

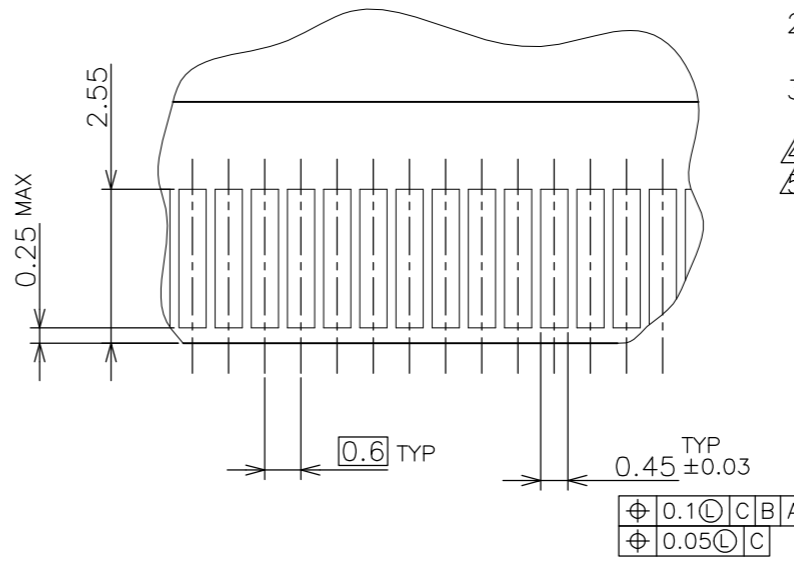
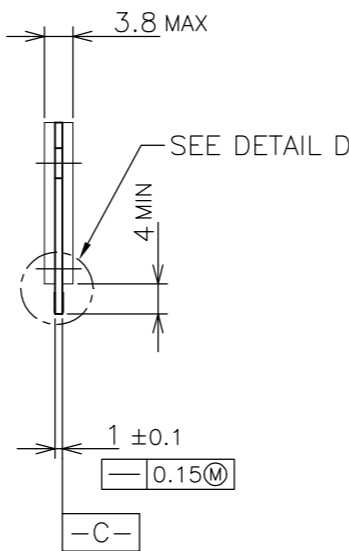
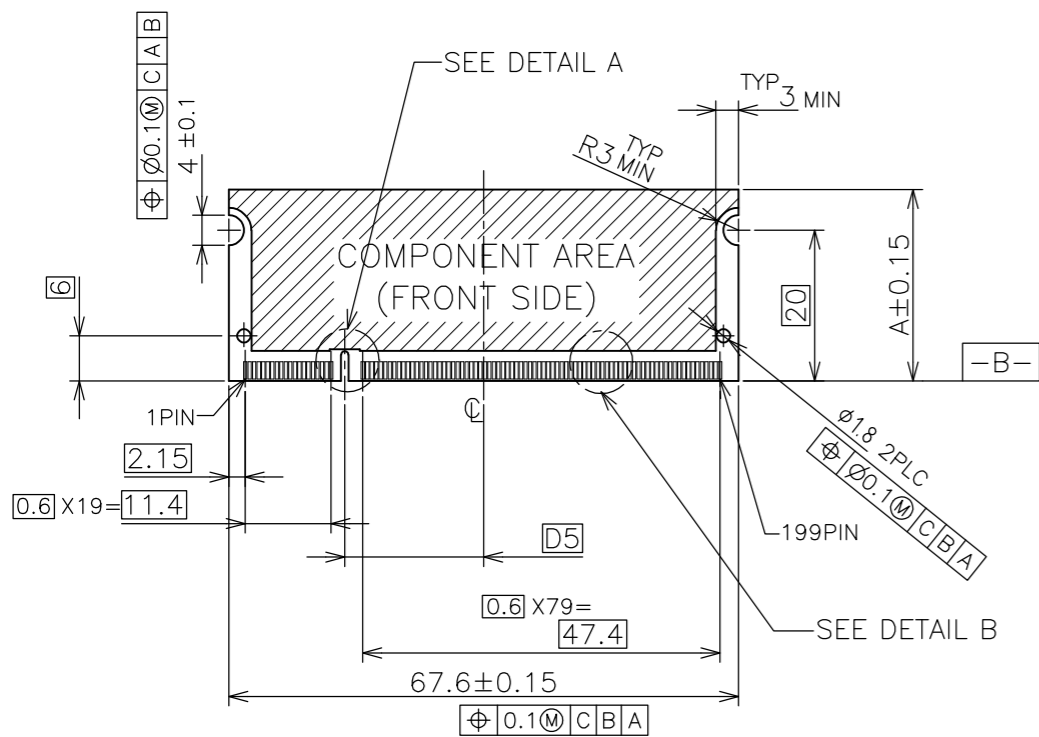
DESCRIPTION

DATE

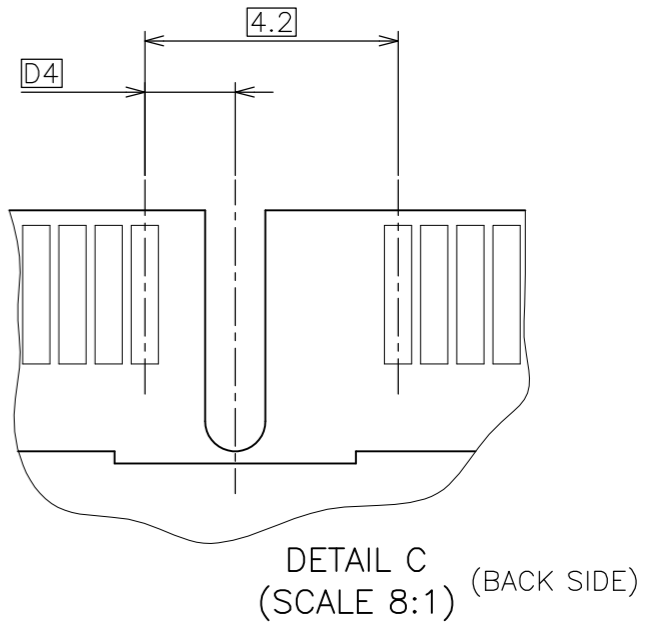
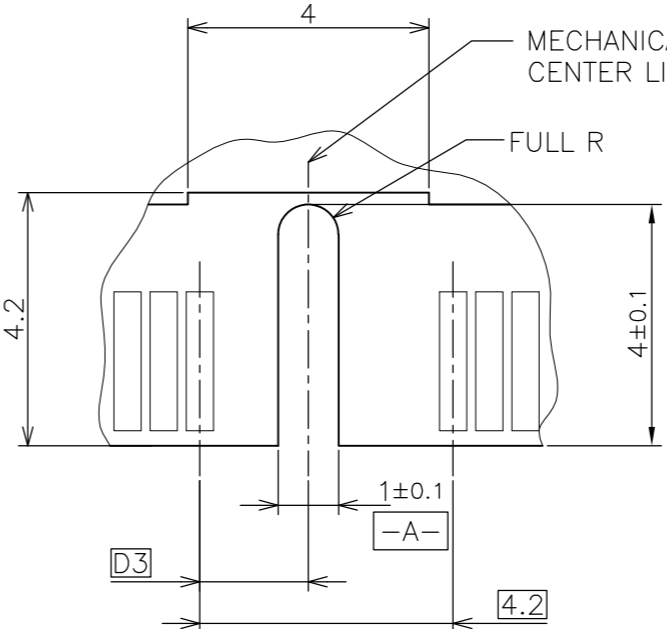
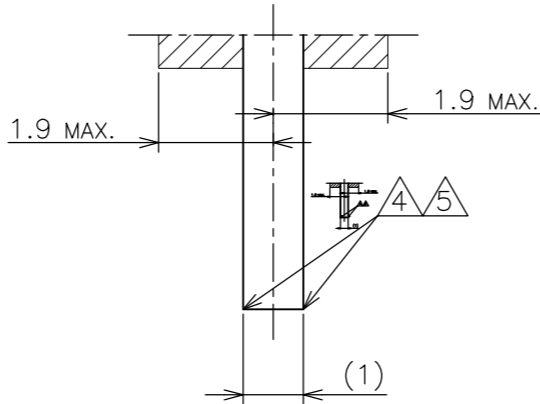
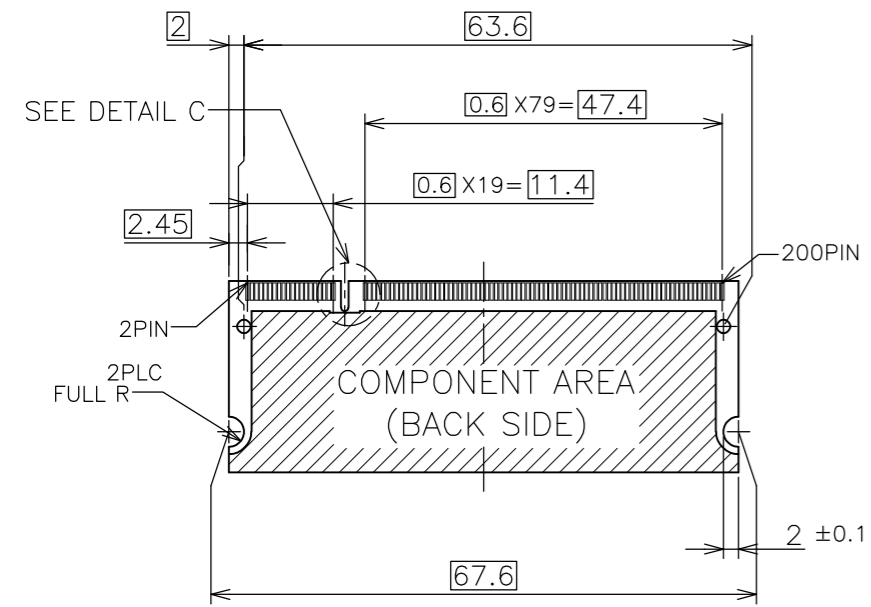
DWN

APVD

SEE SHEET 1



- NOTES: (APPLIED TO SHEET 3)
1. TOLERANCES ON ALL DIMENSIONS ± 0.15 UNLESS OTHERWISE SPECIFIED.
 2. P.C. BOARD THICKNESS APPLIES ACROSS TABS AND INCLUDES PLATING AND/OR METALIZATION.
 3. FINISH OF PAD : GOLD PLATING 0.00076 MIN. OVER Ni PLATING 0.002 MIN.
- △ NO BURR
- △ CHAMFER 0.25 MAX x 45° IF EXIST.



REFERENCE MATING P.C.B CONFIGURATION

THIS DRAWING IS A CONTROLLED DOCUMENT.		DWN
DIMENSIONS: 单位: 耗 MM		CHK
TOLERANCES UNLESS OTHERWISE SPECIFIED: 一般公差		APVD
0 PLC ± -		PRODUCT SPEC 製品規格
1 PLC ± -		APPLICATION SPEC 取付適用規格
2 PLC ± -		WEIGHT
3 PLC ± -		CUSTOMER DRAWING
4 PLC ± -		
ANGLES ± -		
FINISH 仕上		
MATERIAL 材料		

31.75	1.8V	17.55	2.4	2.7
25.4	2.5V	18.45	1.5	1.8
A	POWER SUPPLY	D5	D4	D3



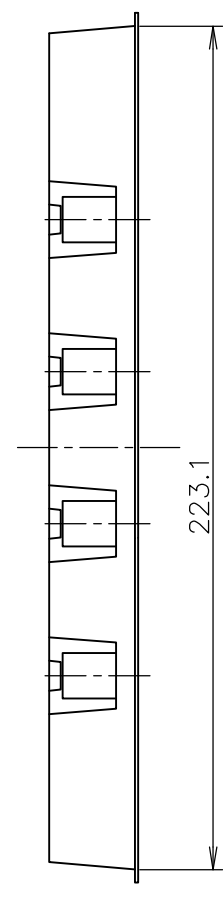
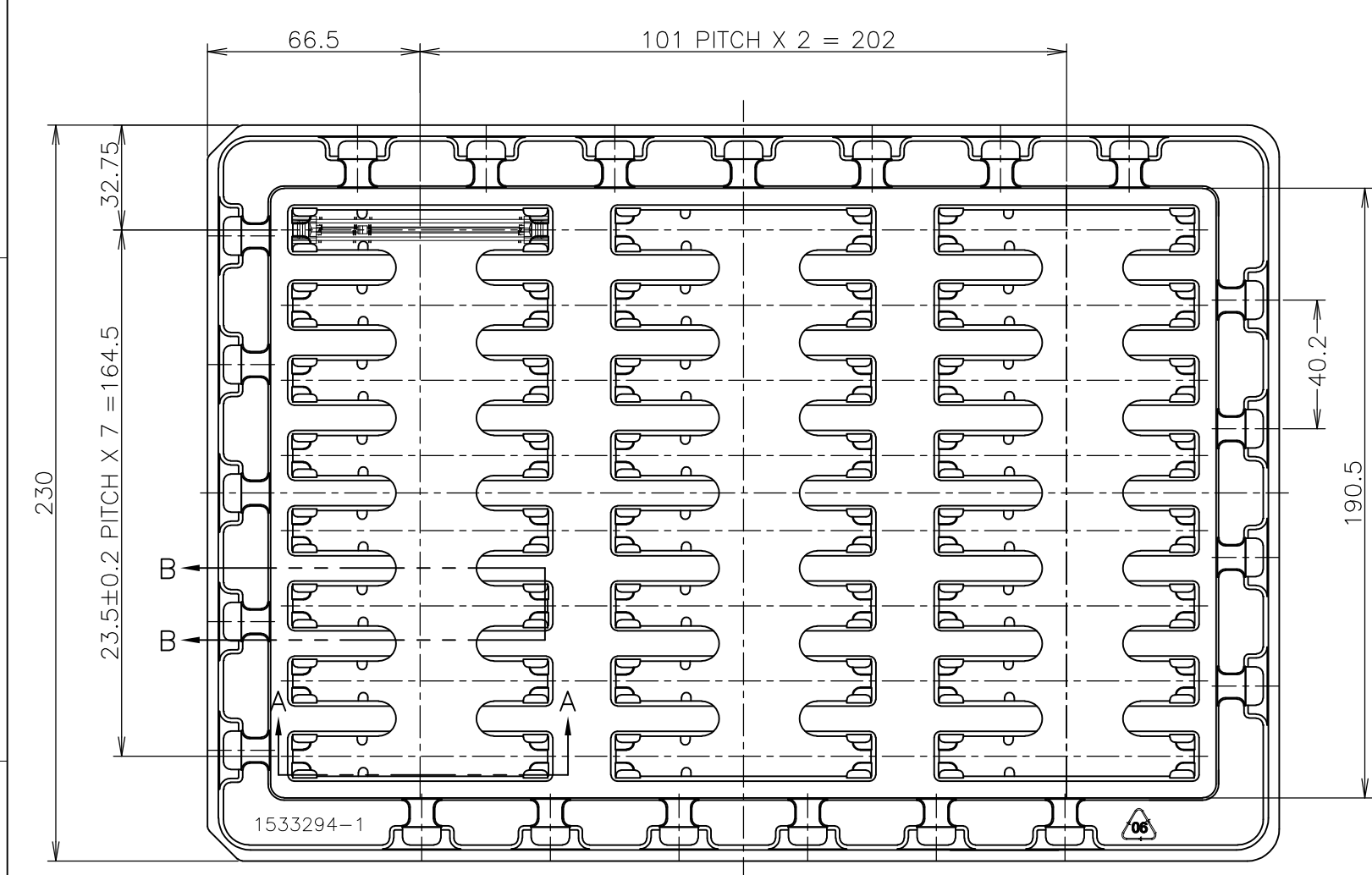
DDR SODIMM SOCKET 0.6mm PITCH 200POS VERTICAL TYPE

SIZE	CAGE CODE	DRAWING NO 番号	RESTRICTED TO
A3	00779	C-2040910	

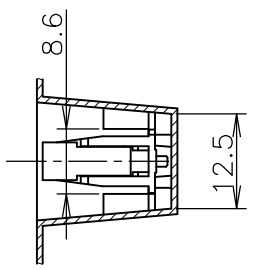
SCALE 尺度	SHEET	REV
1:1	3 OF 4	D

THIS DRAWING IS UNPUBLISHED. RELEASED FOR PUBLICATION
 © COPYRIGHT - By - ALL RIGHTS RESERVED.

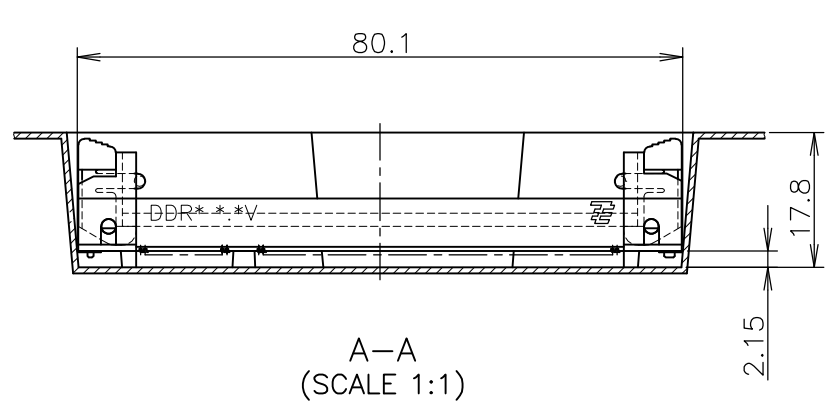
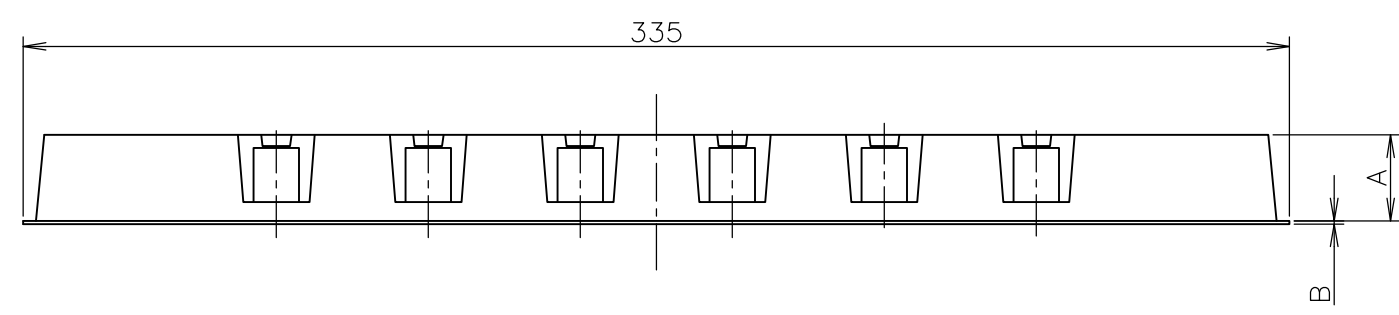
LOC	DIST	REVISIONS					
		P	LTR	DESCRIPTION	DATE	DWN	APVD
J		-		SEE SHEET 1	-	-	-



- (APPLIED TO SHEET 4)
1. THE DIRECTION OF EACH CONNECTOR ON A TRAY IS REFERRED TO THIS DRAWING.
 2. GENERAL TOLERANCE: ±0.5, ±3°



B-B (SCALE 1:1)



A-A (SCALE 1:1)

1.2	18.8	384EA	96EA	24EA	2040910-3
1.2	22.8	384EA	96EA	24EA	2040910-2
1.2	22.8	384EA	96EA	24EA	2040910-1
B	A	QTY/SHIPPING BOX	QTY/INNER BOX	QTY/TRAY	PART NO.

THIS DRAWING IS A CONTROLLED DOCUMENT.

DIMENSIONS: 单位: 耗 MM	TOLERANCES UNLESS OTHERWISE SPECIFIED: 一般公差	DWN	STE TE Connectivity
0 PLC ± 0.5	1 PLC ± 0.5	CHK	
2 PLC ± 0.5	3 PLC ± 0.5	APVD	NAME 名称
4 PLC ± 0.5	ANGLES ± 3°	PRODUCT SPEC 製品規格	DDR SODIMM SOCKET 0.6mm PITCH 200POS VERTICAL TYPE
MATERIAL 材料	FINISH 仕上	APPLICATION SPEC 取付適用規格	SIZE
		WEIGHT	CAGE CODE
			DRAWING NO 番号
			RESTRICTED TO
			A3 00779 C-2040910
			SCALE 尺度 1:2
			SHEET 4 OF 4
			REV D

CUSTOMER DRAWING

Mouser Electronics

Authorized Distributor

Click to View Pricing, Inventory, Delivery & Lifecycle Information:

[TE Connectivity:](#)

[2040910-2](#)