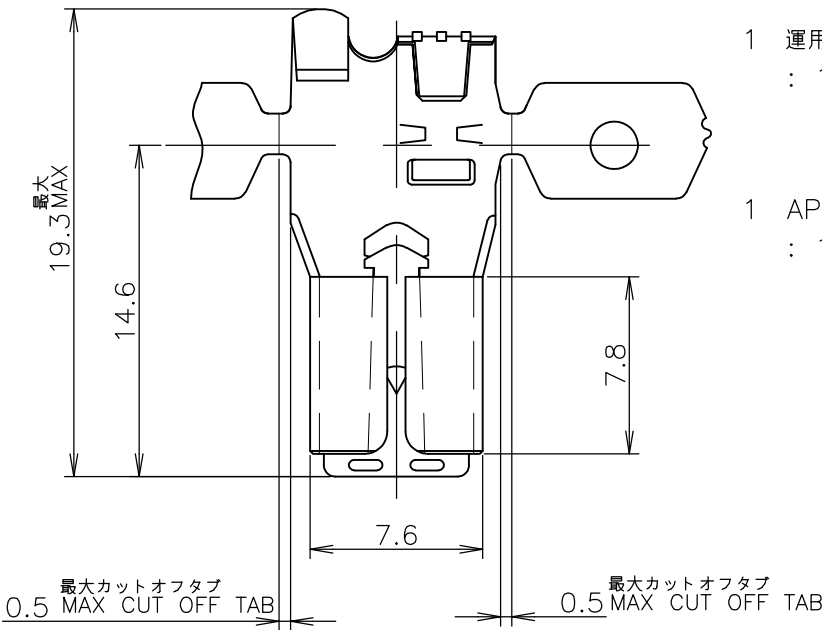
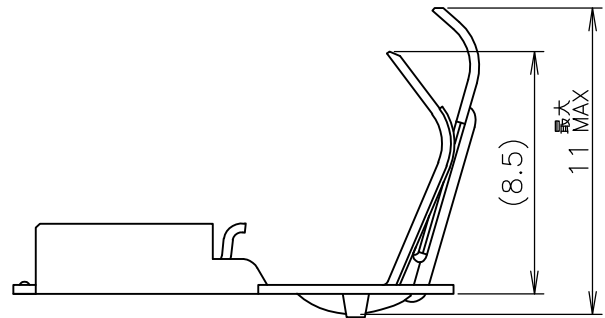
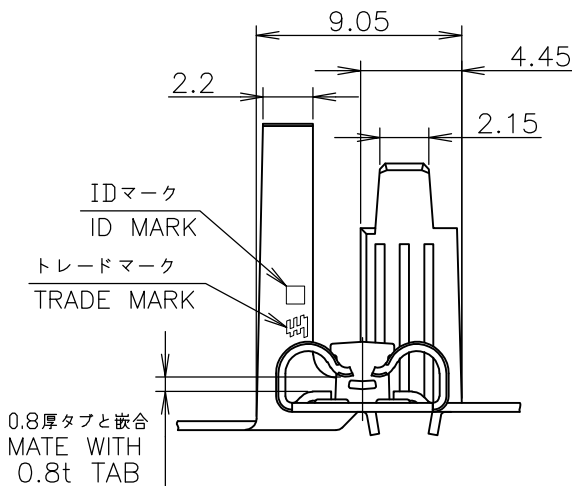


LOC J	DIST /	REVISIONS 変更			DATE	DWN	APVD
		P	LTR	DESCRIPTION			
			D1	REVISED PER ECO-11-005030	11MAR11	RK	HMR

-1, -2; AS SHOWN



- 1 運用スリーブ型番
: 1717268-X, 176497-X, 2013799-X
- 1 APPLICABLE SLEEVE P/N
: 1717268-X, 176497-X, 2013799-X



	PRE TIN COPPER ALLOY 0.4t 錫めっき付銅合金 0.4t	175057-2
	PRE TIN BRASS 0.4t 錫めっき付 黄銅 0.4t	175057-1
LOOSE PIECE NO. ばら状端子型番	MATERIAL 材料	P/N 型番

WIRE RANGE 抱合電線断面積	AWG #18-#12 0.75~3.37 mm ²	INSULATION DIA 被覆外径	2.8~4.1 mmφ
-----------------------	--	------------------------	-------------

RELEASED FOR PUBLICATION NOV, 2007.

THIS DRAWING IS UNPUBLISHED.

ALL RIGHTS RESERVED.

© COPYRIGHT 2007 By -

DIMENSIONS:
単位: 耗
mm

DWN J.SATO 15NOV2007

MATERIAL 材料 表参照 SEE TABLE

FINISH 仕上

TOLERANCES UNLESS OTHERWISE SPECIFIED:
一般公差

CHK S.MANABE 15NOV2007

APVD S.MANABE 15NOV2007



TE Connectivity

- 0 PLC ±
- 1 PLC ± 10 ≥ : ±0.2
- 2 PLC ± 30 ≥ > 10: ±0.25
- 3 PLC ± 100 ≥ > 30: ±0.3
- 4 PLC ±
- ANGLES ± 3'

PRODUCT SPEC
製品規格
108-5254

NAME 名称
250 SERIES FLAG POSITIVE LOCK EX
250 シリーズ 旗型ポジティブロックEX

APPLICATION SPEC
取付適用規格
114-5122

SIZE	CAGE CODE	DRAWING NO 番号	RESTRICTED TO
A4	00779	175057	

WEIGHT

CUSTOMER DRAWING

SCALE 尺度 NTS SHEET 1 OF 1 REV D1

Mouser Electronics

Authorized Distributor

Click to View Pricing, Inventory, Delivery & Lifecycle Information:

[TE Connectivity:](#)

[175057-1](#) [175057-1 \(Loose Piece\)](#)