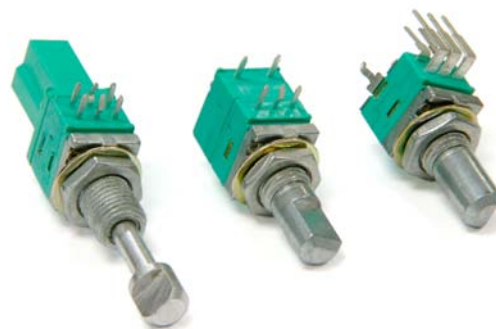


Model P09x  
 9mm Rotary Potentiometer  
 Multi - Ganged  
 Conductive Plastic Element  
 100,000 Cycle Life  
 Metal shaft / Bushing  
 Switch / Push-Lock Option  
 RoHS Compliant  
 Concentric Shaft Option  
 Center Tap Option



#### MODEL STYLES

Side Adjust, PCB pins, up to 8 gangs	P09xN
Side Adjust, PCB pins, up to 8 gangs, with Switch	P09xS
Top Adjust, PCB pins, up to 2 gangs	P09x5N
Side Adjust, PCB pins, with Push-Lock, up to 2 gangs	P09xP
PCB pins, with Concentric Shaft	P09xC
PCB pins, with Center Tap	P09xT

#### ELECTRICAL<sup>1</sup>

Resistance Range, Ohms	1K-500K
Standard Resistance Tolerance	± 20%
Residual Resistance	20 ohms max.
Input Voltage, maximum	50 Vac max.
Power rating, Watts	Taper B: 0.05W Other Tapers: .025W
Dielectric Strength	300Vac, 1 minute
Insulation Resistance, Minimum	100M ohms at 250Vdc
Sliding Noise	100mV max.
Gang Error ( Multi-ganged )	-40dB – 0dB, ±3dB
Switch Contact Resistance	< 100 milliohms
Switch Power Rated	3.0A at 16Vdc

<sup>1</sup> Specifications subject to change without notice.

# Model P09x

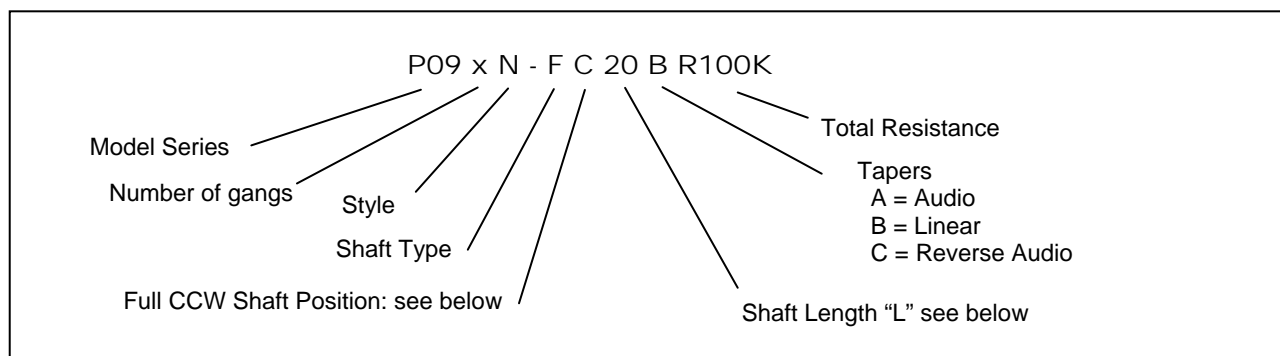
## MECHANICAL

Total Mechanical Travel	300°± 10°
Static Stop Strength	50 oz-in
Rotational Torque	0.5 to 1.25 oz-in
Switch Rotational Angle, Maximum	50°

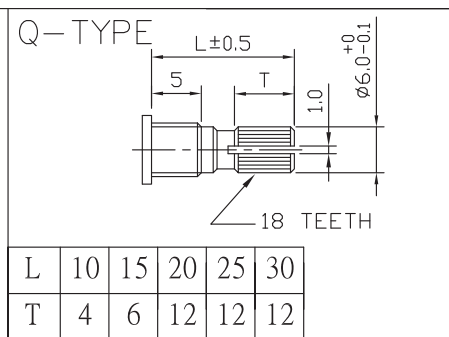
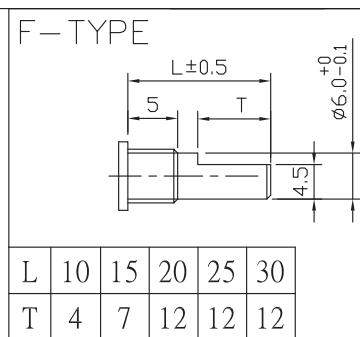
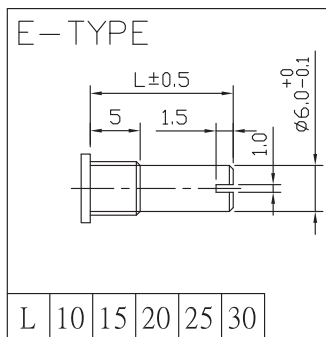
## ENVIRONMENTAL

Operating Temperature Range	-40°C to +85°C
Rotational Life	100,000 cycles

## ORDERING INFORMATION<sup>2</sup>



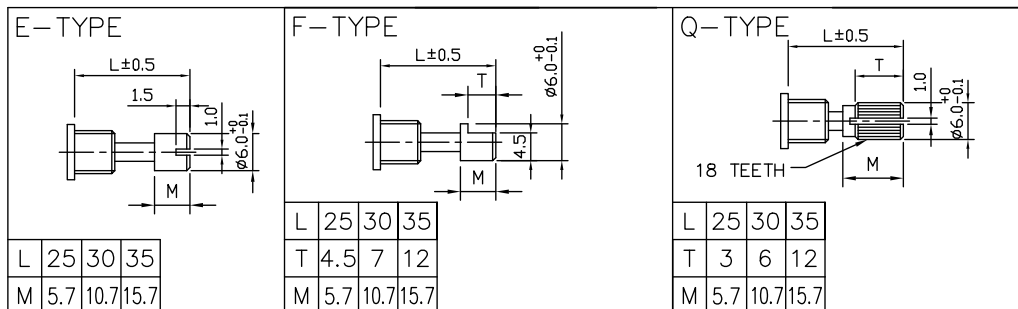
### Shaft Types (P09xN, P09xS, P09x5N)



<sup>2</sup> Contact our customer service for custom designs and features.

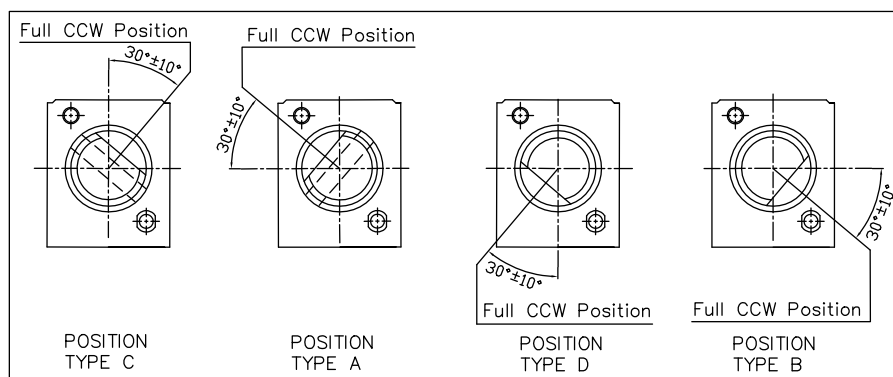
# Model P09x

## Shaft Types for Push-Lock ( P09xP)



## Shaft Position (F-Type Shaft)

Dashed lines on Type "C" and Type "A" shows position of adjustment slot for E-Type and Q-Type shafts



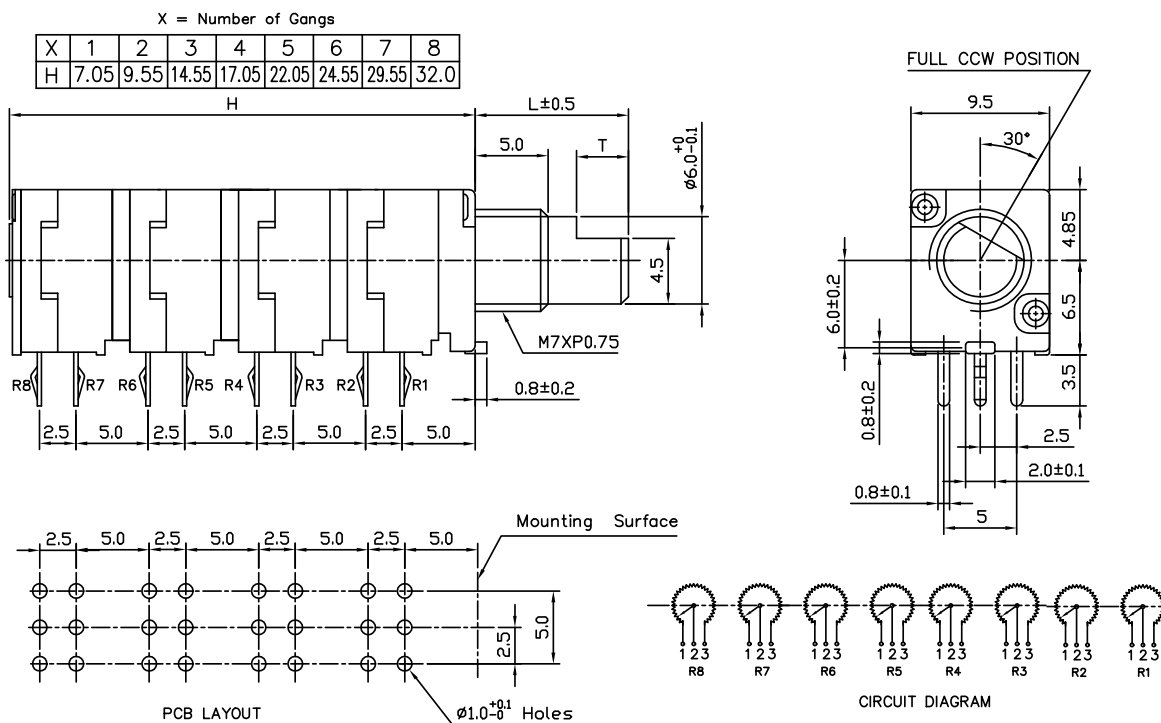
## STANDARD RESISTANCE VALUES, OHMS

1K 2K 5K 10K 20K 50K 100K 200K 500K

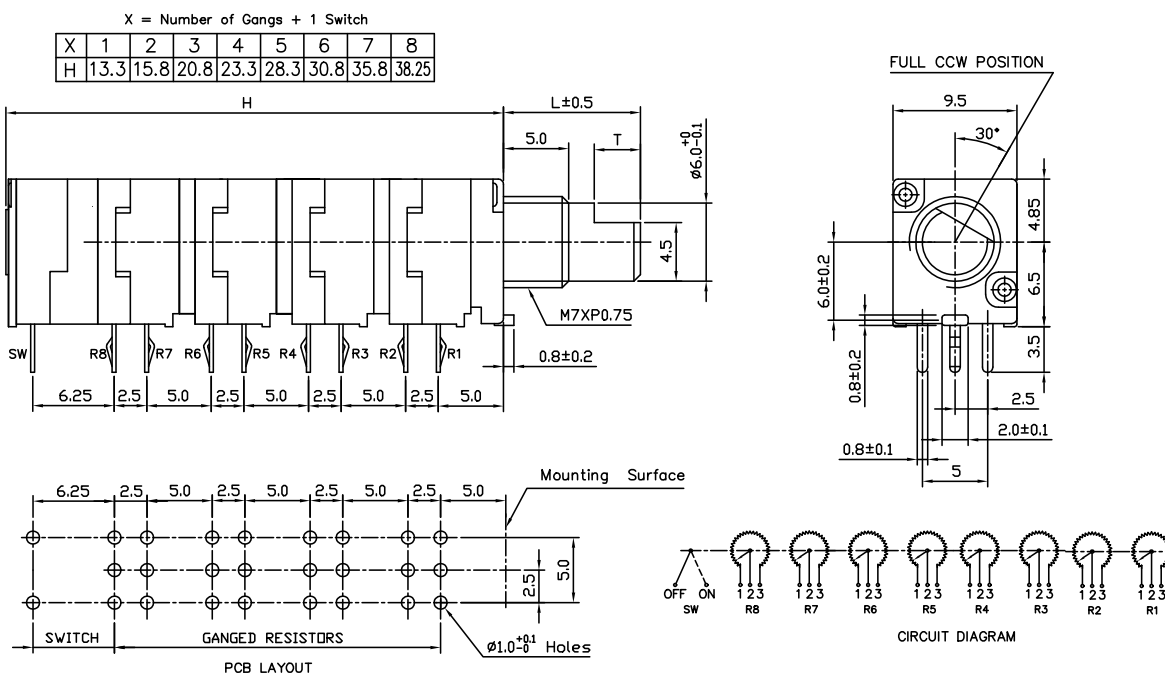
# Model P09x

## OUTLINE DRAWING

### Model P09xN (Side Adjust, PCB pins, up to 8 gangs)

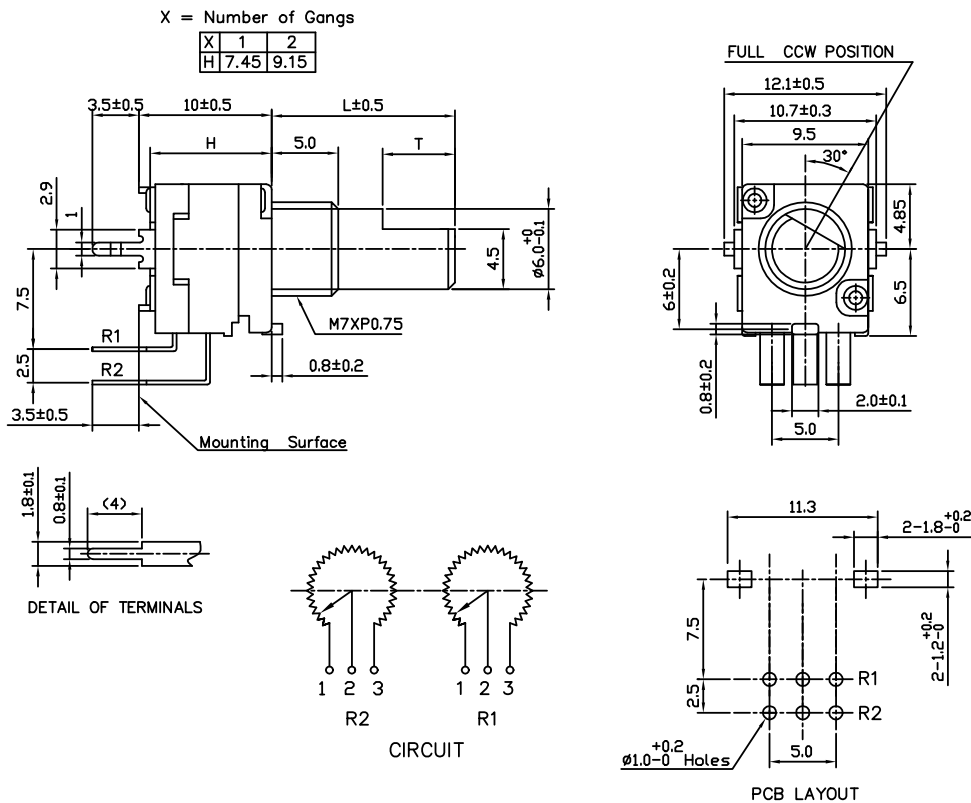


### Model P09xS (Side Adjust, PCB pins, up to 8 gangs, with Switch)

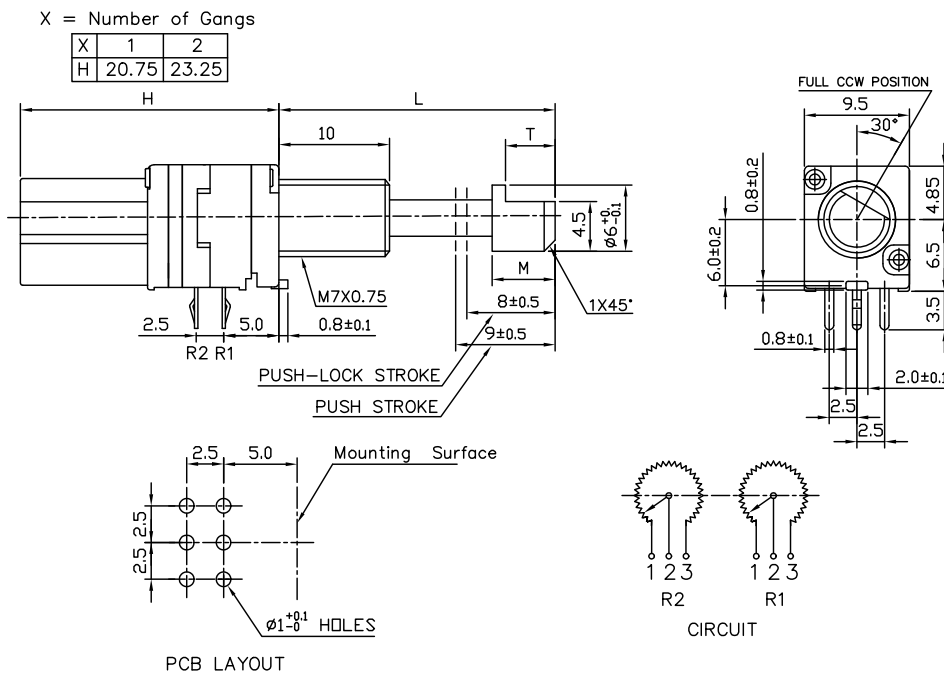


# Model P09x

## Model P09x5N (Top Adjust, PCB pins, up to 2 gangs)



## Model P09xP (Side Adjust, PCB pins, with Push-Lock, up to 2 gangs)





# Mouser Electronics

Authorized Distributor

Click to View Pricing, Inventory, Delivery & Lifecycle Information:

## TT Electronics:

[P092N-QC20AR100K](#) [P092N-QC20BR100K](#) [P091P-EA25BR100K](#) [P092N-QC20AR20K](#) [P092N-QD15AR10K](#)  
[P091S-EC20BR50K](#) [P092N-QC20BR20K](#) [P091P-FA25BR100K](#) [P092N-QC20AR10K](#) [P091P-QA25BR100K](#) [P092N-FC20AR20K](#) [P091N-FC25BR5K](#) [P091N-QC25BR50K](#) [P091P-FC25BR10K](#) [P091S-FC20BR10K](#) [P091S-QC15BR50K](#)  
[P0915N-QC20BR5K](#) [P092N-QC15AR20K](#) [P0915N-FC20BR10K](#) [P0915N-FC20BR5K](#) [P0915N-EC15BR2K](#) [P0915N-EC15BR100K](#) [P0915N-EC15BR10K](#) [P091P-FC25CR50K](#) [P0915N-FC15AR10K](#) [P0915N-FC15BR50K](#) [P0915N-FC20BR50K](#) [P091P-FC25AR50K](#) [P091P-FC30AR50K](#) [P0925N-FC15AR10K](#) [P0925N-FC15BR50K](#) [P0925N-FD15BR50K](#) [P092N-EC15BR20K](#) [P092N-FC20B500K](#) [P092P-FC20AR5K](#) [P092P-FC25AR50K](#) [P092P-FC25AR5K](#) [P092P-FC30AR50K](#) [P092S-QC25AR10K](#) [P0915NFC15-AR500K](#) [P0915NFC15-BR25K](#) [P0915N-FC15AR50K](#) [P0915N-FC15BR10K](#) [P0925N-FC15CR500K](#) [P0915N-QC15BR100k](#) [P091N-FC25BR10K](#) [P091S-FC15BR10K](#) [P0915N-QC15AR10K](#) [P0915N-EC15BR50K](#) [P092N-FC25BR10K](#) [P092S-FC15AR10K](#) [P092N-QC15AR5K](#) [P091N-FC25BR1K](#) [P092N-FA15CR50K](#) [P092P-FC25AR100K](#) [P092N-FC25CR100K](#) [P0925N-FC15BR20K](#) [P091N-FC25AR500K](#) [P091N-FC25AR10K](#) [P091N-FC25A500K](#) [P092N-FC15AR50K](#) [P0915N-QC20BR50K](#) [P092N-QC15BR10K](#) [P092N-FC25AR20K](#) [P091N-QC15BR100K](#) [P092N-QC15BR100K](#) [P091N-FA15BR10K](#) [P092N-FC25AR100K](#) [P092N-FC15BR10K](#) [P091P-FC25CR2K](#) [P0915N-QC15AR100K](#) [P0925N-FC20AR100K](#) [P091N-FC15AR10K](#) [P092N-FC15AR100K](#) [P091N-FC25BR100K](#) [P092P-FC20AR100K](#) [P091N-FC20BR5K](#) [P092N-FC25BR100K](#) [P092N-FC15AR500K](#) [P0915N-QC15AR500K](#) [P091N-QC20BR50K](#) [P092N-FC15CR20K](#) [P094N-FC15AR50K](#) [P091N-FA20BR10K](#) [P0915N-QC15BR5K](#) [P092N-FC15BR20K](#) [P091S-FC20BR5K](#) [P092N-FA20CR50K](#) [P0925N-FA15AR100K](#) [P0925N-FC15AR5K](#) [P0915N-QC15AR50K](#) [P091N-QC15BR10K](#) [P092S-QC15BR50K](#) [P0925N-FA15AR200K](#) [P091N-FC25CR10K](#) [P094N-QD15AR20K](#) [P0915N-QC15BR50K](#) [P092N-FC25AR10K](#) [P092N-FC25BR20K](#) [P091P-FC25CR5K](#)