

Wireless Module
***Bluetooth Smart* Module**
EYSFCNZXX
Overview

Feb. 04, 2014 Version 1.1

Bluetooth Smart® Module: EYSFCNZXX

Features

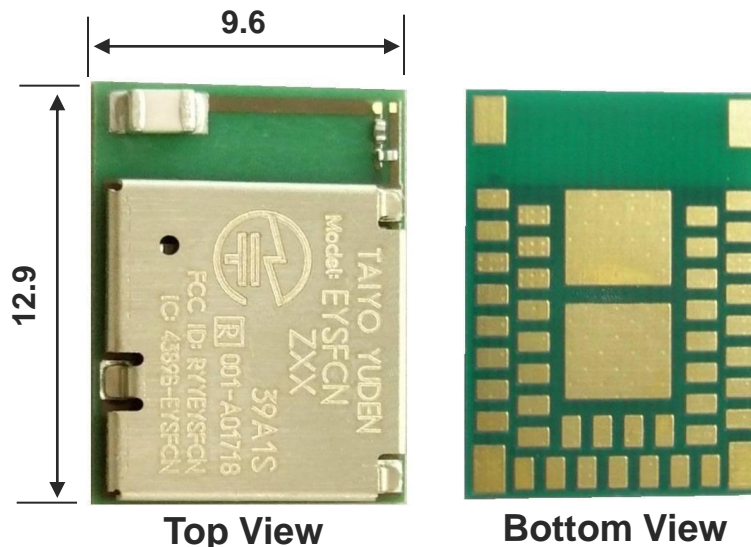
- Frequency: 2402 to 2480 MHz
- Output power: +4dBm typ.
- Single power supply: 1.8 – 3.6V
- Single Mode Bluetooth Smart Slave
- Chip: nRF51822 (Nordic)
- Integrated System/Sleep Clock
- Integrated high performance ceramic chip antenna
- **ARM Cortex M0** 32bit processor
- **256KB flash and 16KB RAM**
- Interface: SPI, UART, I2C and 8/9/10bit ADC
- Outline: **9.6 x 12.9 x 2.0** mm with **1mm** pad pitch
- Operating Temperature range: -20 to 75 deg-C
- Bluetooth and Japan, FCC, IC qualified
- RoHS compliant / Complete Lead Free

Applications

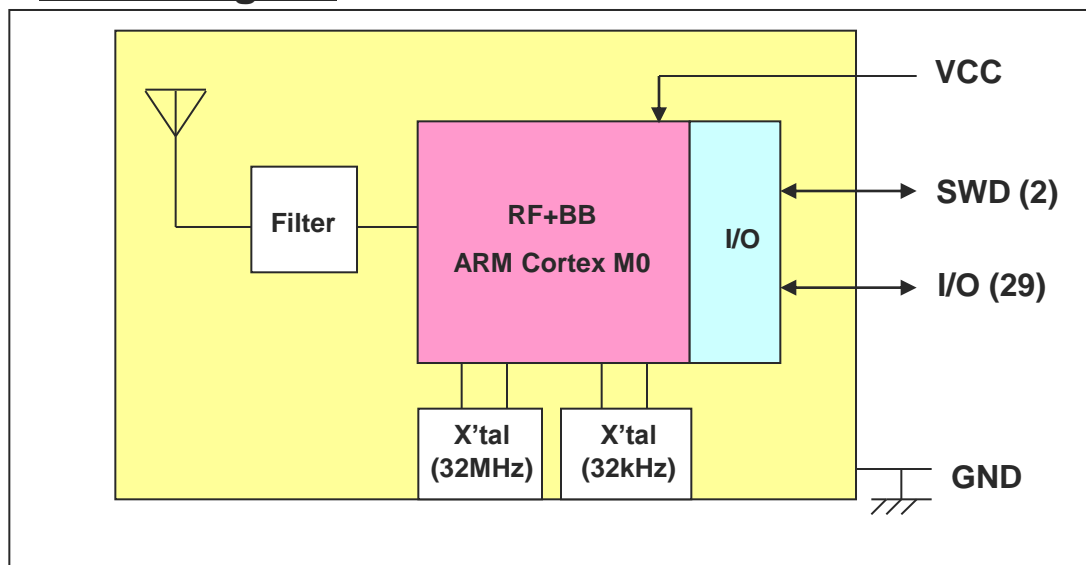
- Cycle computer
- Heart rate monitor
- Blood pressure monitor
- Blood glucose meter
- Weighing machine
- Thermometer
- Mobile accessories
- Sports and fitness sensors
- Remote controllers
- Toys

Outline

Unit: mm



Block Diagram

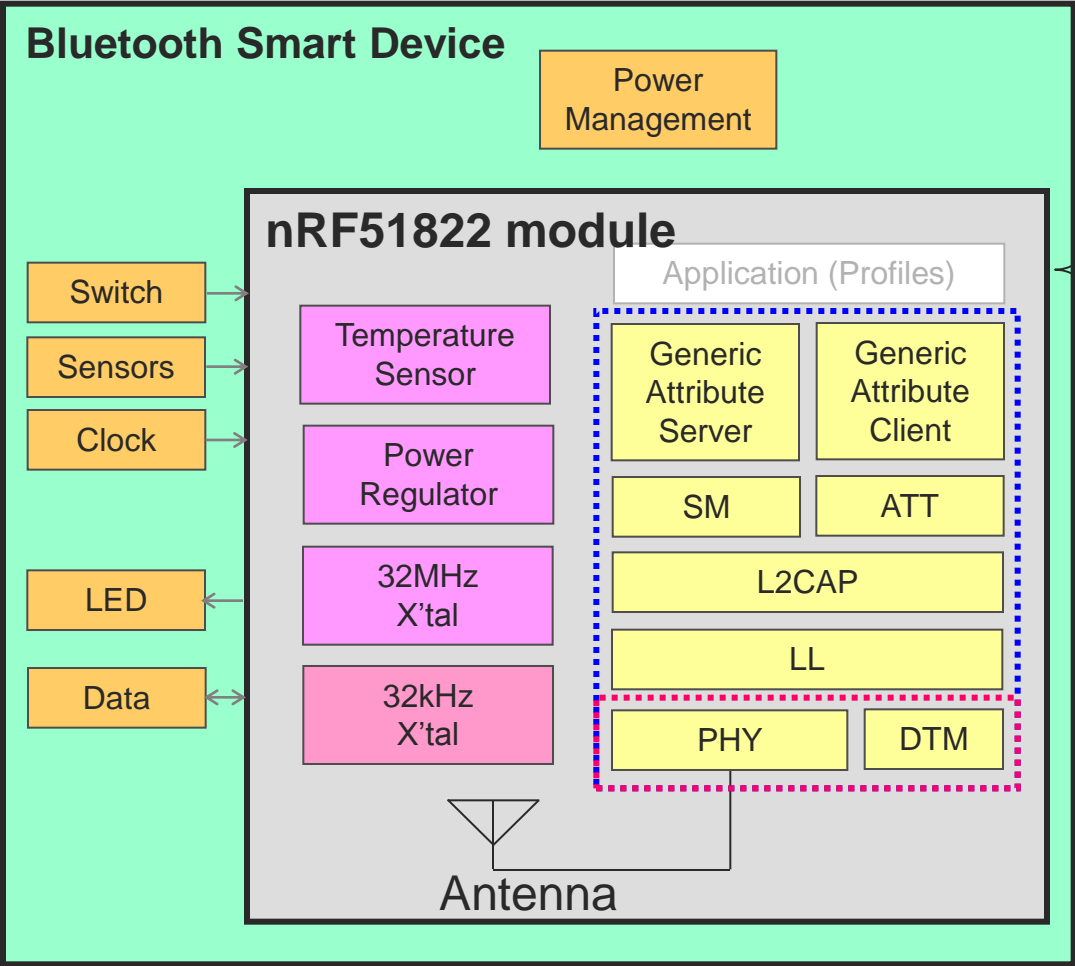


All specifications are subject to change without notice.

The *Bluetooth*® word mark and logos are owned by the *Bluetooth* SIG, Inc. and any use of such marks by TAIYO YUDEN CO., LTD. is under license.

TAIYO YUDEN

Application Layer image for Basic Module



- Alert Notification **Nordic SDK**
- Blood Pressure
- Cycling Speed and Cadence
- Glucose
- HID Mouse
- Heart Rate
- Phone Alert Status
- Proximity
- Running Speed and Cadence
- Time

Basic module will be written under GATT.

Software Device

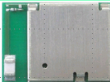


- GAP:** Generic Access Profile
- SM:** Security Manager
- ATT:** Attribute Protocol
- L2CAP:** Logical Link Control and Adaptation Protocol
- LL:** Link Layer
- PHY:** Physical Layer
- DTM:** Direct Test Mode

EYSFCNZXX
Basic Module

Bluetooth Smart[®] standard module

Name	Part No.	Software Support	TELEC	FCC, IC	BT Logo	Sample	EV-Board EV-kit	MP
Basic (Soft device) W/ Antenna	EYSFCNZXX	Nordic (Product key for Website)	Yes	Yes	Yes	Now	Now	Now

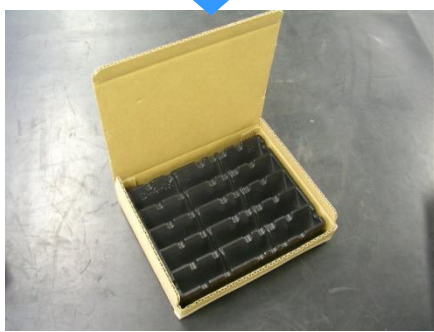
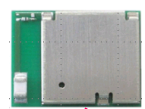
Evaluation Board and sample image

Item	Part #	Image	Attachment
Basic Module	EYSFCNZXX		<ul style="list-style-type: none"> • Doc (Data Report) • Product key for Nordic site
Basic Module Evaluation Kit	EKSFCNZXX		<ul style="list-style-type: none"> • Doc (Data Report, EVK Manual) • Product key for Nordic site • TY EVB (EVB and Coin Battery) • Nordic DK (2 Boards, USB Dongle, SEGGER J-Link, Cables, Software)
Basic Module Evaluation Board	EBSFCNZXX		<ul style="list-style-type: none"> • Doc (Data Report, EVK Manual) • Product key for Nordic site • TY EVB (EVB and Coin Battery) • Distributor information for Nordic DK

EYSFCNZXX, EBSFCNZXX, EKSFCNZXX

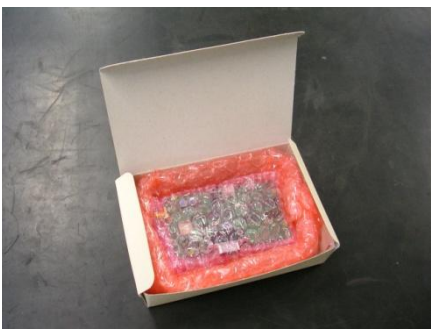
EYSFCNZXX (Module)

Taiyo Yuden Module



EBSFCNZXX (EV-Board)

Taiyo Yuden Evaluation board



EKSFCNZXX (EV-Kit)

Taiyo Yuden Evaluation board



Nordic nRF51822-DK



TAIYO YUDEN

Mouser Electronics

Authorized Distributor

Click to View Pricing, Inventory, Delivery & Lifecycle Information:

[Taiyo Yuden:](#)

[EYSFCNZXX](#)