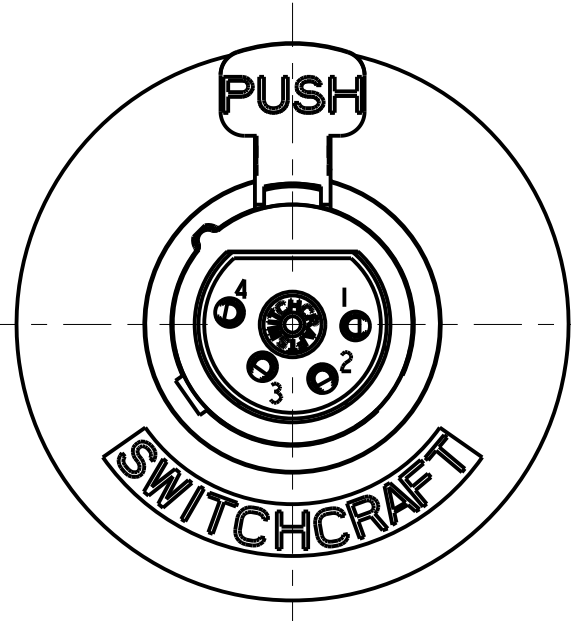
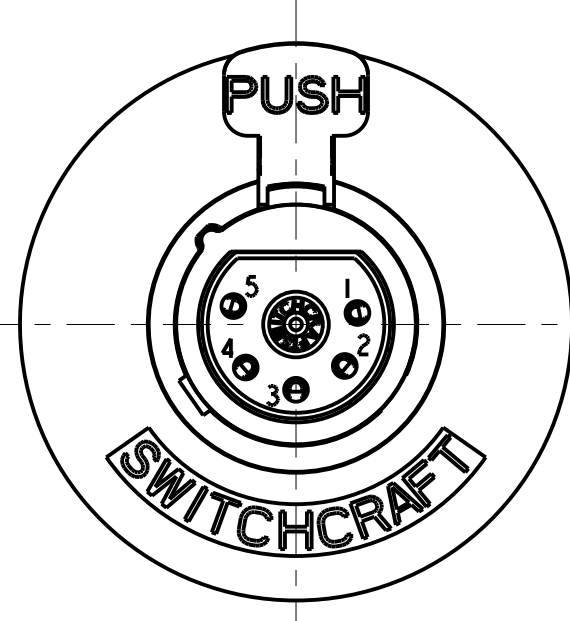


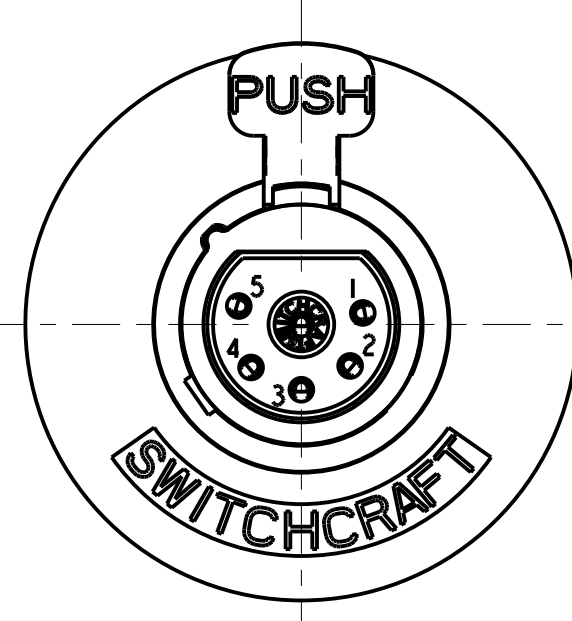
3 PIN



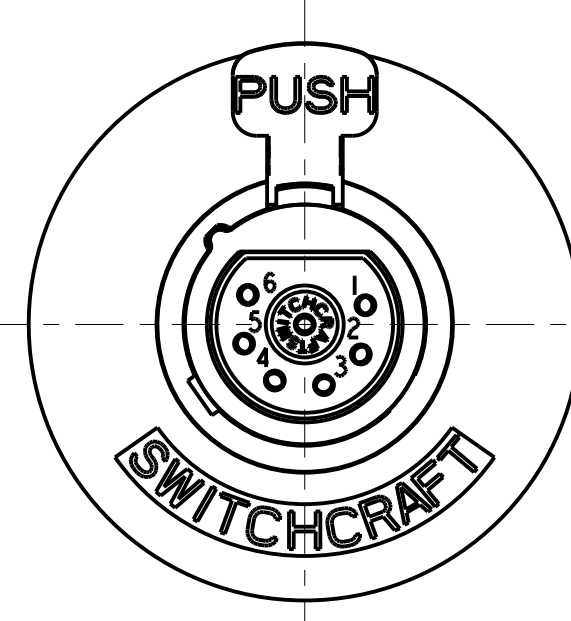
4 PIN



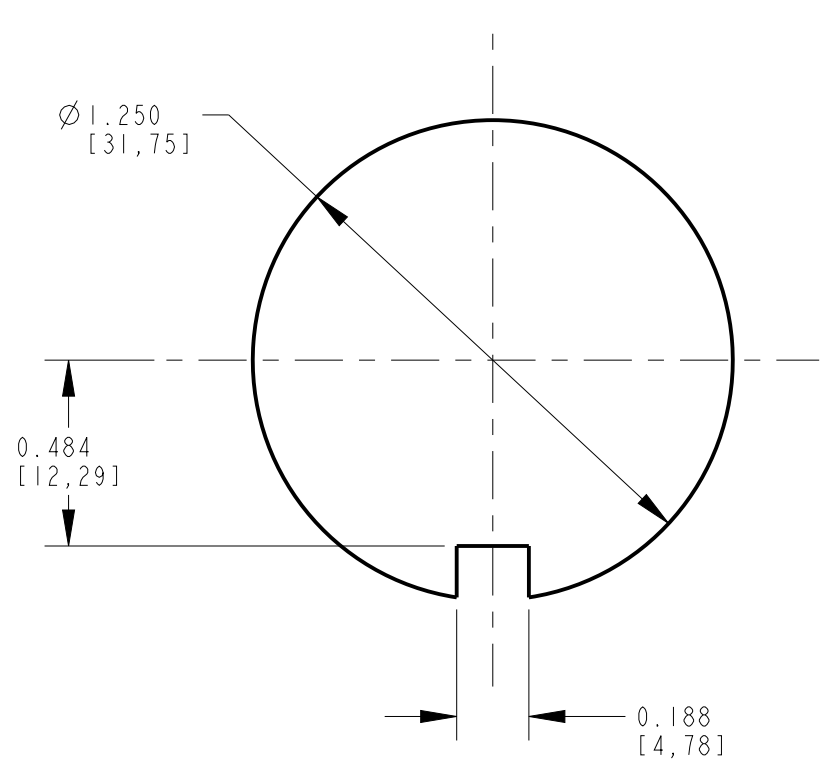
5 PIN



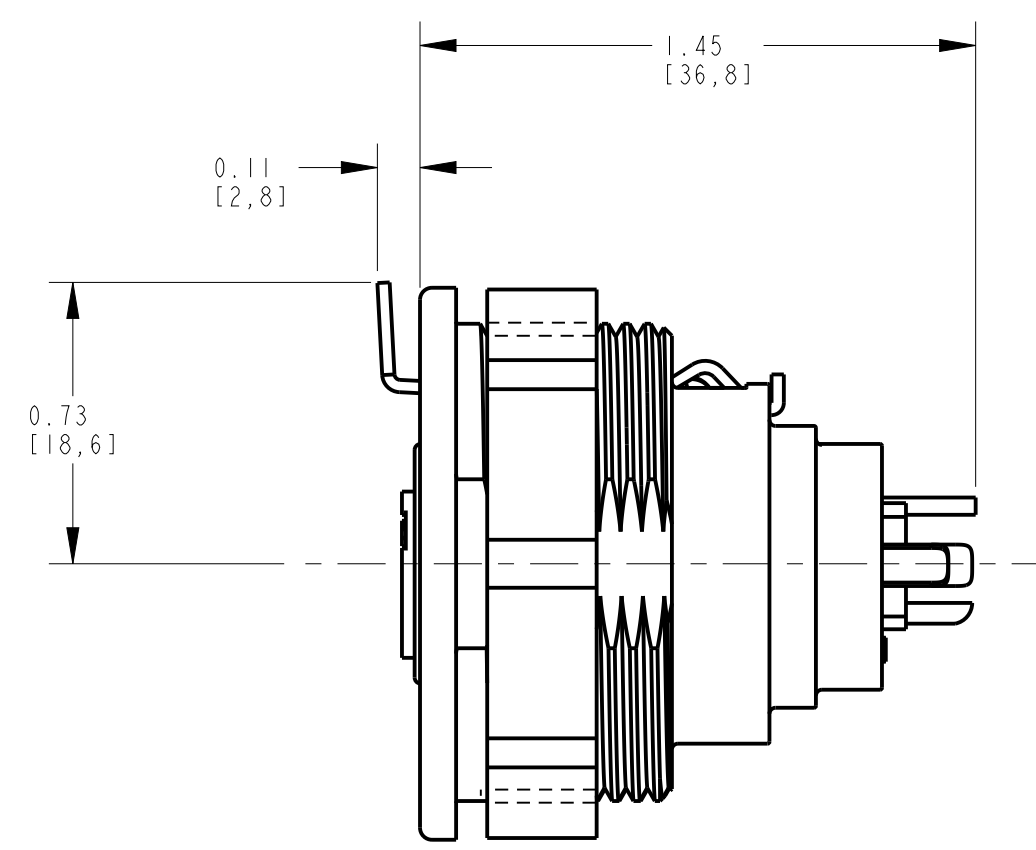
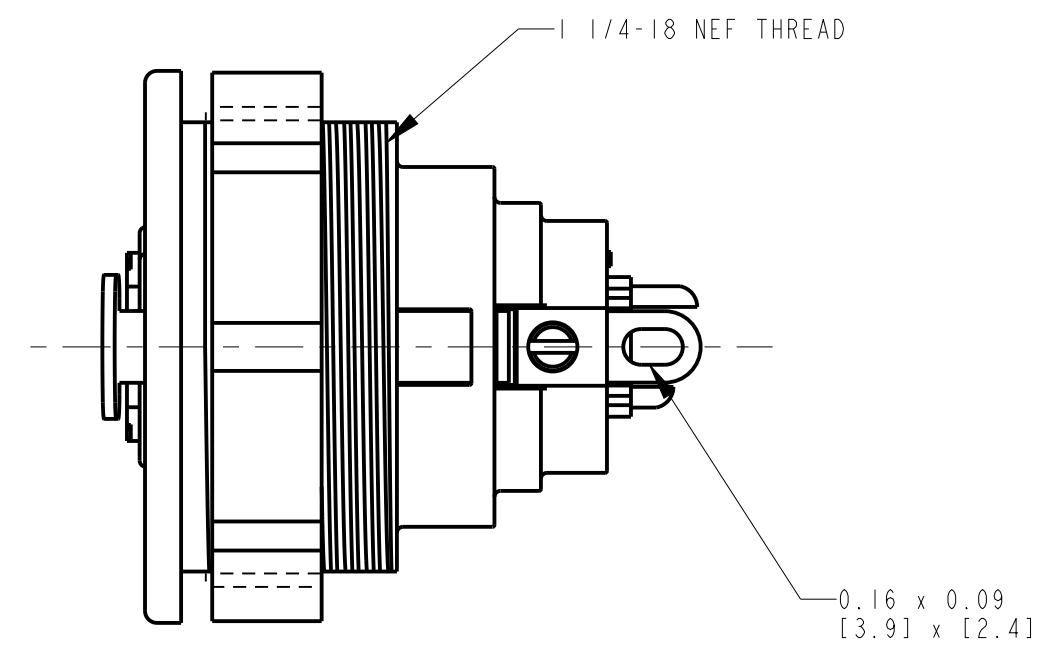
6 PIN



7 PIN



RECOMMENDED PANEL CUT-OUT

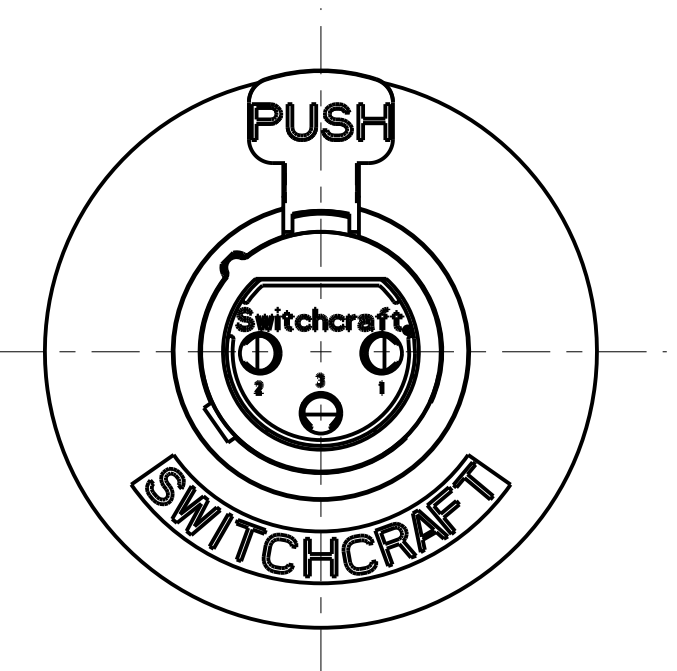


STANDARD SERIES

SCREW - STAINLESS STEEL
 SHELL - STAINLESS STEEL
 LATCH BUTTON - ZINC, NICKEL PLATED
 INSULATOR - POLYESTER, GREEN
 SOLDER TERMINAL - BRASS, ELECTRO TIN
 LATCH SPRING - STAINLESS STEEL
 CONTACT PIN - PHOSPHOR BRONZE, SILVER PLATED
 HOUSING - ZINC
 NUT - ZINC, NICKEL PLATED
 RELEASE LEVER - STEEL NICKEL PLATED

HOUSING FINISH: SEE NOTE 2
 BLANK = NICKEL PLATE (STANDARD)
 BX = BLACK, RoHS

NO. OF CONTACTS:
 3 = 3 CONTACTS
 4 = 4 CONTACTS
 5 = 5 CONTACTS
 6 = 6 CONTACTS
 7 = 7 CONTACTS



- NOTES:**
1. ALL DIMENSIONS REF. UNLESS OTHERWISE SPECIFIED.
 2. BLACK HOUSING AND INSERT WITH SATIN NICKEL PLATED LATCH.
 3. THIS PRODUCT IS RoHS COMPLIANT.

REV	ECO NUMBER	DATE	BY	APVD
M	28302	07-08-20	PC	TJK
L	26158	10-4-06	TO	TJK
K	ECO #22895	9-17-99	DA	RB
J	20627	2-1-96	SG	SG

★ STAR SYMBOL DENOTES CRITICAL DIMENSION

UNLESS OTHERWISE SPECIFIED

1. ALL DIMENSIONS IN INCHES
 - TWO PLACE DECIMALS ±0.005
 - THREE PLACE DECIMALS ±0.0005
 - FRACTIONAL DIMENSIONS ±1/64
 - ANGLES ±1°
 - ALL DIA. CONCENTRIC WITHIN 0.005 T.I.R.

2. FEATURES ON THE SAME CENTERLINE MUST BE ALIGNED WITHIN ±0.002

3. REMOVE ALL BURRS

DO NOT SCALE DRAWING

CUSTOMER DRAWING

THIS DRAWING DESCRIBES A DESIGN CONSIDERED PROPRIETARY IN NATURE, DEVELOPED AND MANUFACTURED BY SWITCHCRAFT INC. AND IS RELEASED ON A CONFIDENTIAL BASIS FOR IDENTIFICATION PURPOSES ONLY.

SIZE	WIDTH	MULT	LBS/M	TEMPER
FINISH		MATERIAL		
SPEC No.		SPEC No.		
FIRST USED ON		SCALE		
DATE DRAWN		BY	CHKD	APVD
11-Dec-93		SG	AA	GHJ
			7-11-94	7-11-94
NAME			PART No.	
B SERIES FEMALE OG, RoHS			B_F SERIES	
			REV	
			M	

Mouser Electronics

Authorized Distributor

Click to View Pricing, Inventory, Delivery & Lifecycle Information:

[Switchcraft:](#)

[B3F](#) [B6F](#) [B3FBX](#) [B4F](#) [B5F](#) [B7F](#) [B3FPKG10](#)