

CUSTOMER DRAWING

PART NUMBER: DCP-USBAX-HD SERIES

MFG. ENG.	APPROVED BY:	DATE:	QA	APPROVED BY:	DATE:
-----------	--------------	-------	----	--------------	-------

NOTES:

- DCP-USBAB-HD SHOWN IN EXPLODED VIEW. (USB A 2.0 RECEPTACLE TO 5 PIN HEADER WITH QUICK CONNECT COUPLING.)
- THE USB 2.0 RECEPTACLE STYLE IS TYPE "A".
- THE DIMENSION DOES NOT INCLUDE GASKET COMPRESSION.
- THE PINOUT AND DIMENSIONS ARE TYPICAL FOR ALL VERSIONS.
- UNLESS OTHERWISE SPECIFIED, DIMENSIONS WITH TWO DECIMAL PLACES HAVE TOLERANCES OF ± 0.02 [± 0.5 mm].

MATERIALS:

GASKET: ELASTOMER, BLACK
 HEX NUT: THERMOPLASTIC, BLACK
 USB PANEL HOUSING: THERMOPLASTIC, BLACK
 USB RECEPTACLE:
 SHELL: COPPER ALLOY, TIN PLATED
 CONTACTS: COPPER ALLOY, GOLD PLATED
 INSULATOR: THERMOPLASTIC, WHITE
 HEADER:
 INSULATOR: THERMOPLASTIC, BLACK
 CONTACTS: COPPER ALLOY, GOLD PLATED
 PCB: FR-4

ELECTRICAL:

CURRENT RATING: 1.5 A MINIMUM
 CONTACT RESISTANCE: 30 MILLIOHMS MAXIMUM
 INSULATION RESISTANCE: 1000 MEGAOHMS MINIMUM
 DIELECTRIC WITHSTANDING VOLTAGE: 500V AC

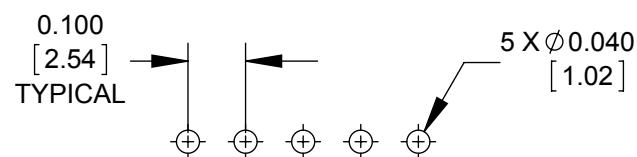
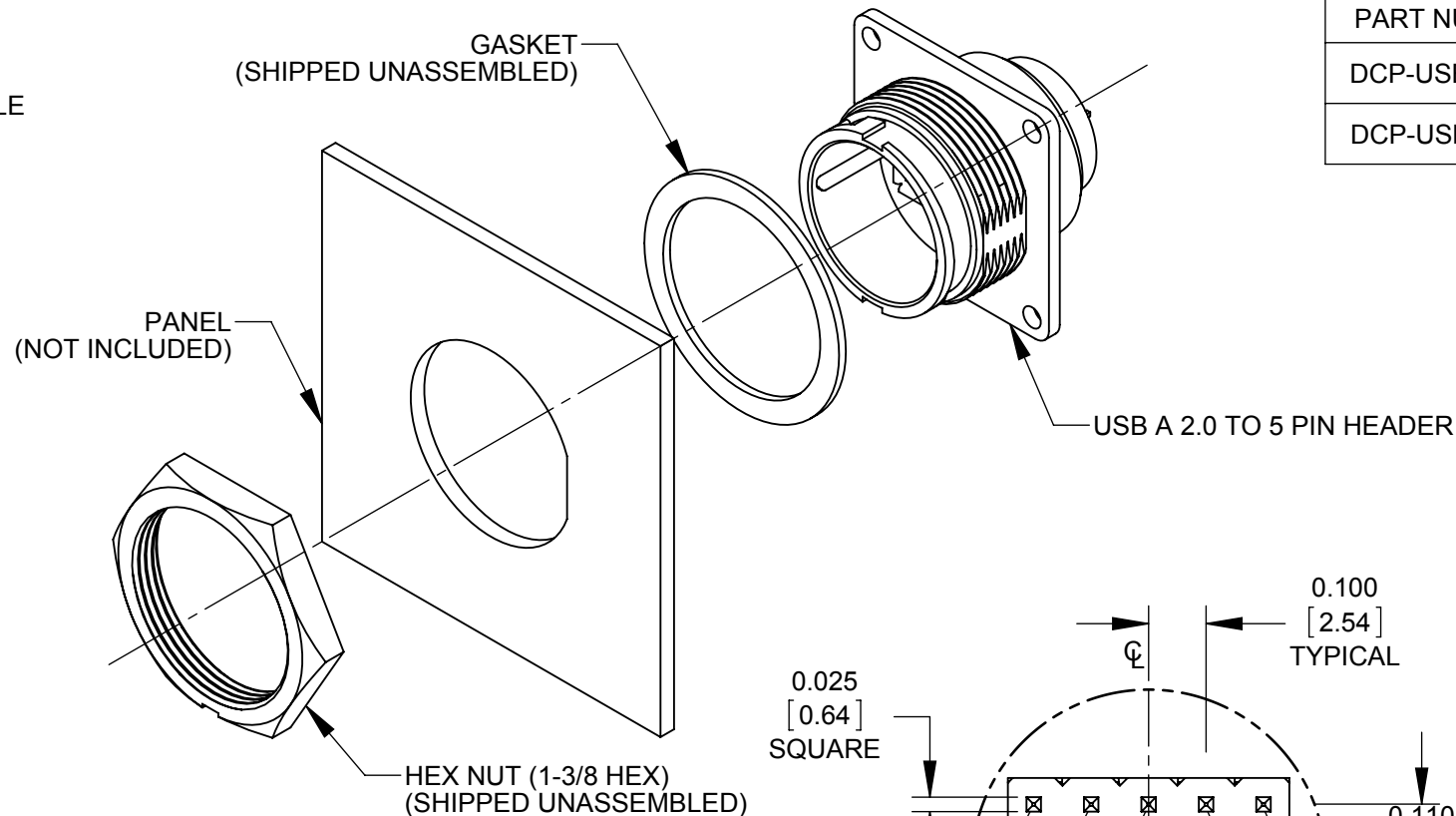
PRODUCT RATING:

IP-67 & IP-68, NEMA 250 (6P), WHEN MATED

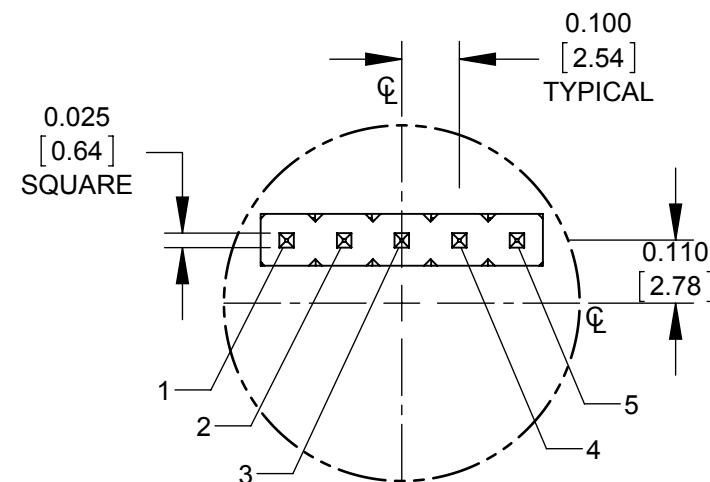
OTHER:

OPERATING TEMPERATURE: -25°C TO $+85^{\circ}\text{C}$ [-13°F TO $+185^{\circ}\text{F}$]
 RECOMMENDED PANEL THICKNESS:
 QUICK CONNECT COUPLING: 1/32" TO 3/16" (0.8mm to 4.8mm)
 THREADED COUPLING: 1/32" TO 5/32" (0.8mm to 3.9mm)

PART NUMBER	COUPLING TYPE	DESCRIPTION
DCP-USBAB-HD	QUICK CONNECT	USB A 2.0 TO 5 PIN HEADER
DCP-USBAT-HD	THREADED	USB A 2.0 TO 5 PIN HEADER



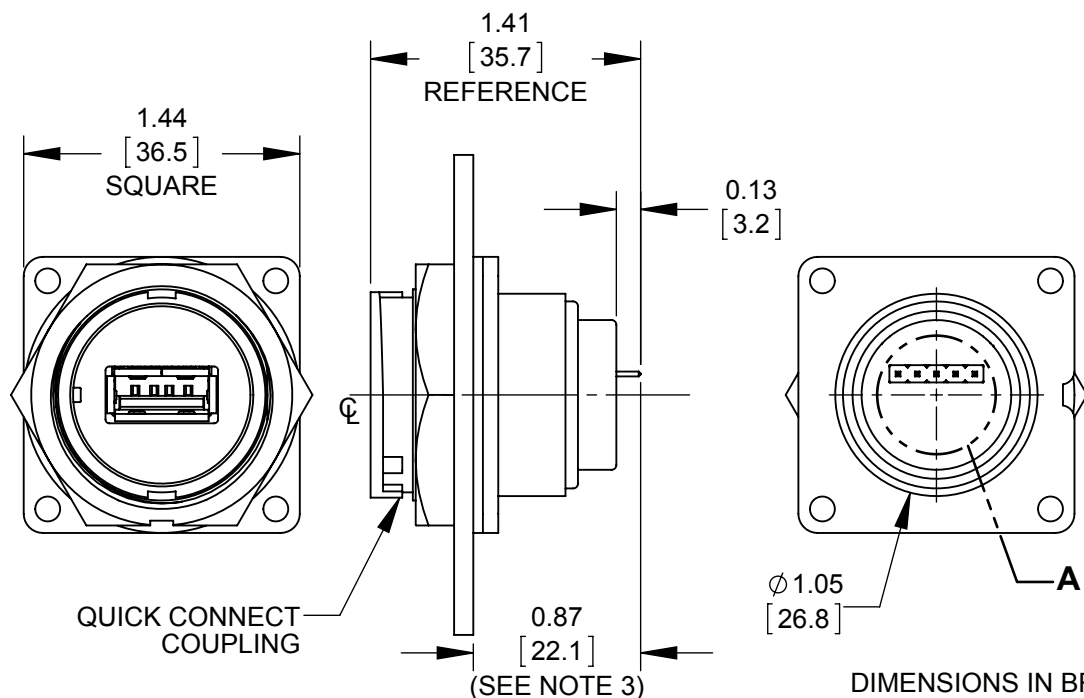
RECOMMENDED PCB HOLE LAYOUT
SCALE 3:1



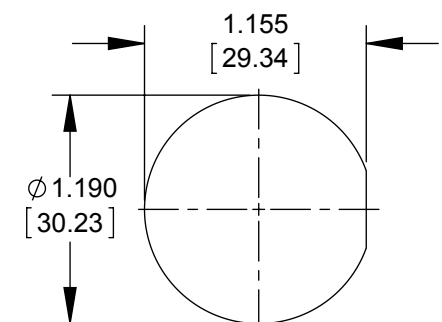
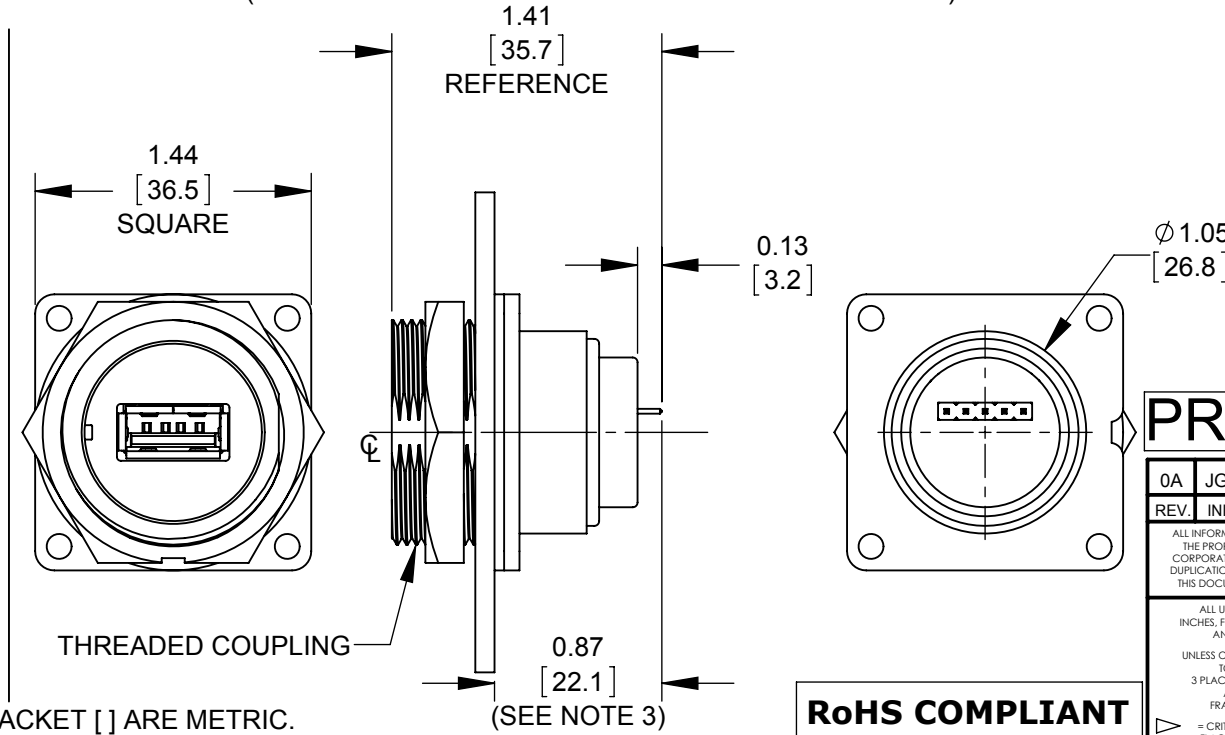
DETAIL A
SCALE 3:1

USB A PINOUT	HEADER PINOUT
1	1
2	2
3	3
4	4
SHIELD	5

DCP-USBAB-HD SHOWN
(USB A TO 5 PIN HEADER WITH QUICK CONNECT COUPLING)



DCP-USBAT-HD SHOWN
(USB A TO 5 PIN HEADER WITH THREADED COUPLING)



RECOMMENDED PANEL CUT-OUT
QUICK CONNECT COUPLING
OR THREADED COUPLING

PRELIMINARY

CUSTOMER DRAWING

0A	JGK	3/25/15	DRAWING CREATED PER PDR #14007, QUOTE #100113 & #100167.	
REV.	INIT.	DATE	DESCRIPTION	
	JGK	3/25/15	ORIG. DRAWN BY: DATE: 3/25/15	
ALL INFORMATION ILLUSTRATED IS THE PROPERTY OF CONXALL CORPORATION. UNAUTHORIZED DUPLICATION OR DISTRIBUTION OF THIS DOCUMENT IS PROHIBITED.			CHECKED BY:	
ALL UNITS ARE IN FEET, INCHES, FRACTION OF INCHES AND DECIMALS. UNLESS OTHERWISE SPECIFIED TOLERANCES: 3 PLACE DECIMALS ±.005 ANGLES ±1° FRACTIONS ±1/16			APPROVED BY:	
- CRITICAL CHARACTERISTIC FLAG PER SPEC. XXXX			TITLE: USB A TO 5 PIN HEADER DATA-CON-X	
SCALE: 1:1	SIZE: B	SHEET: 1 OF 1	CUSTOMER: STANDARD PRODUCT	
FILE: SAME AS P/N	DIRECTORY: SLW	PART NUMBER: DCP-USBAX-HD SERIES	REV 0A	

RoHS COMPLIANT

Mouser Electronics

Authorized Distributor

Click to View Pricing, Inventory, Delivery & Lifecycle Information:

[Switchcraft:](#)

[DCP-USBAB-HD](#) [DCP-USBAT-HD](#)