

3-phase high current filter



Description

- High power filter for rated currents up to 2500 A
- Very high attenuation
- Compact design for highest power

Standards

- IEC 60939
- UL 1283

Approvals

- VDE Certificate Number: pending
- UL File Number: E72928

Applications

- High voltage rating 760 VAC for IT mains supply
- Especially designed for high power applications such as: Frequency Converters, UPS-Systems, Inverters for Photovoltaic Systems and Wind Energy
- Suitable for use in equipment according to IEC/UL 60950

Weblinks

[pdf-datasheet](#), [html-datasheet](#), [General Product Information](#), [Approvals](#), [CE declaration of conformity](#), [RoHS](#), [CHINA-RoHS](#), [REACH](#), [e-Shop](#), [SCHURTER-Stock-Check](#), [Distributor-Stock-Check](#), [Detailed request for product](#)

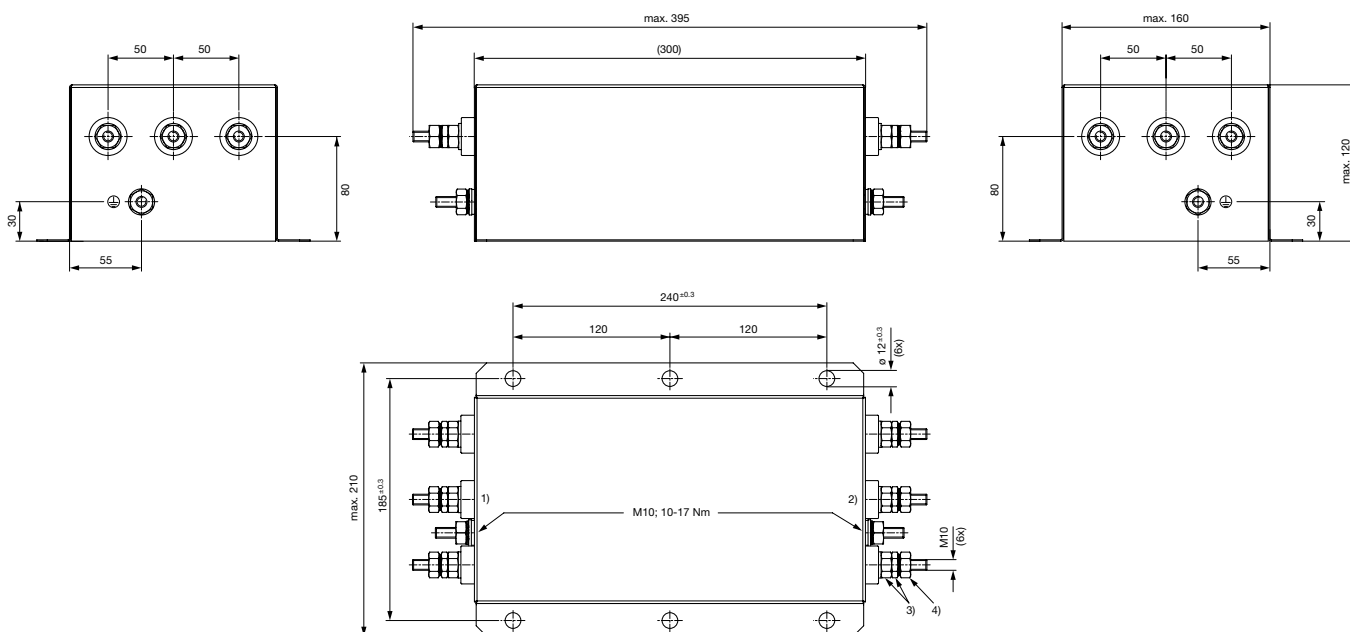
Technical Data

Rated Current	150 - 2500A @ Ta 50 °C
Rated voltage	520/760 VAC, 50/60 Hz
Approval for	150 - 2500A @ Ta 50 °C / 520/760/520/760 VAC; 50/60 Hz
Overload Current	1.5 x Ir
Leakage Current	< 15 mA (440 V / 50 Hz)
Dielectric Strength	520 VAC:
	2.15 kVDC between L-L
	2.7 kVDC between L-PE
760 VAC:	Test voltage 2 sec
	3 kVDC between L-L
	3.1 kVDC between L-PE
Number of Filter Stages	3-stage
Weight	12 - 89 kg
Material: Housing	Metal / Aluminium
Sealing Compound	UL 94V-0

Mounting	Screw-on mounting on chassis, from top
Terminal	Bolt and nut M10 for types up to 250 A and copper bars for types upwards of 320 A
Operating Temperature [°C]	-25 °C to 100 °C
Climatic Category	25/100/21 acc. to IEC 60068-1
Degree of Protection	IP 20 acc. to IEC 60529
Protection Class	Suitable for appliances with protection class I acc. to IEC 61140
MTBF	> 200'000 h acc. to MIL-HB-217 F

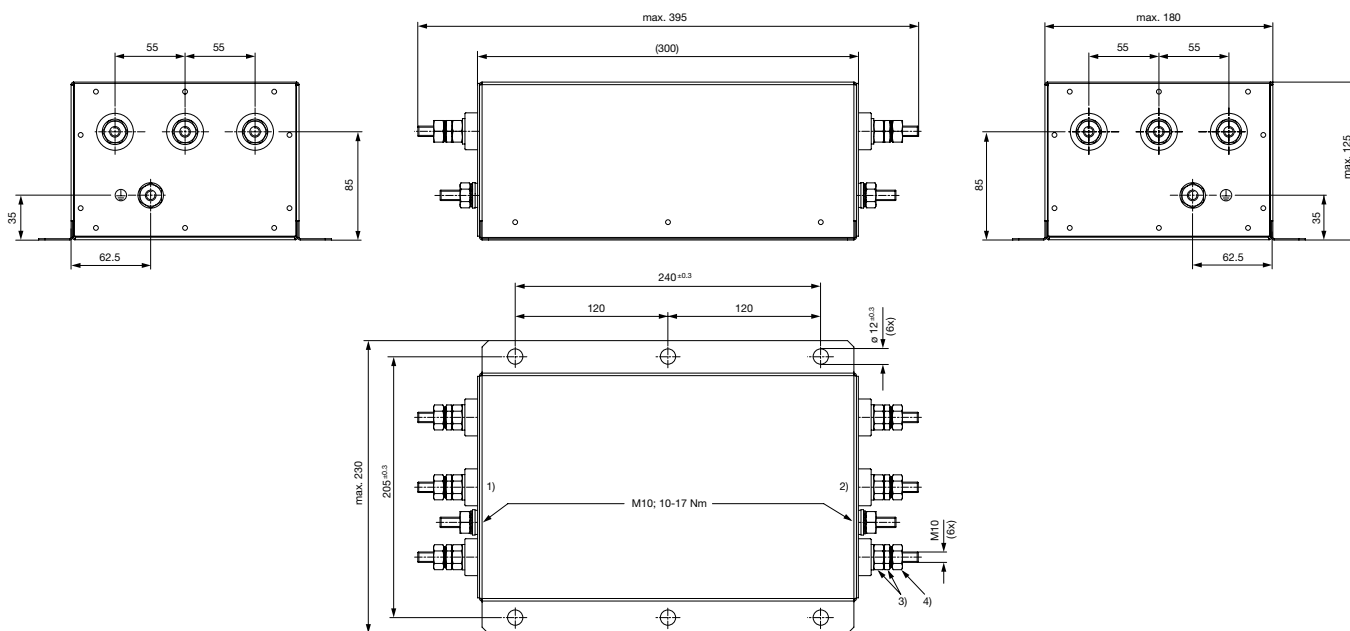
Dimension

Case 3A



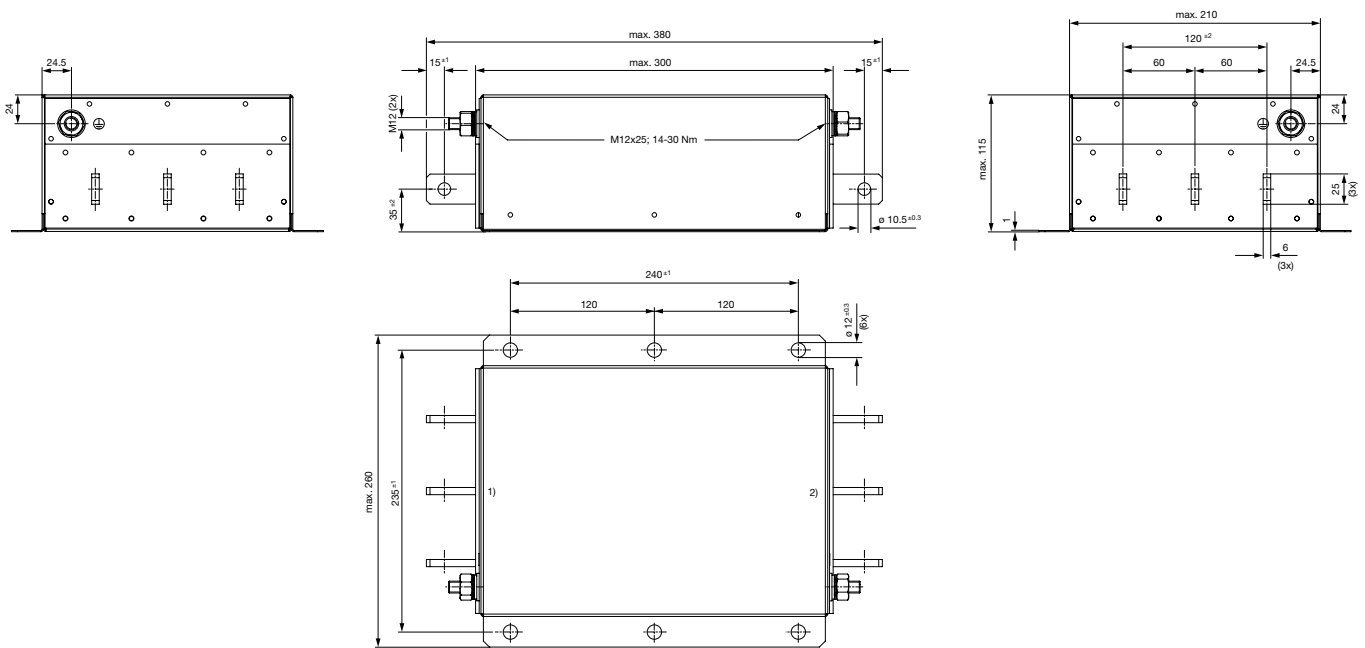
- 1) Line
- 2) Load
- 3) Lock-nut do not unscrew
- 4) Nut torque 10...17 Nm, keep lock-nut fastened

Case 3B

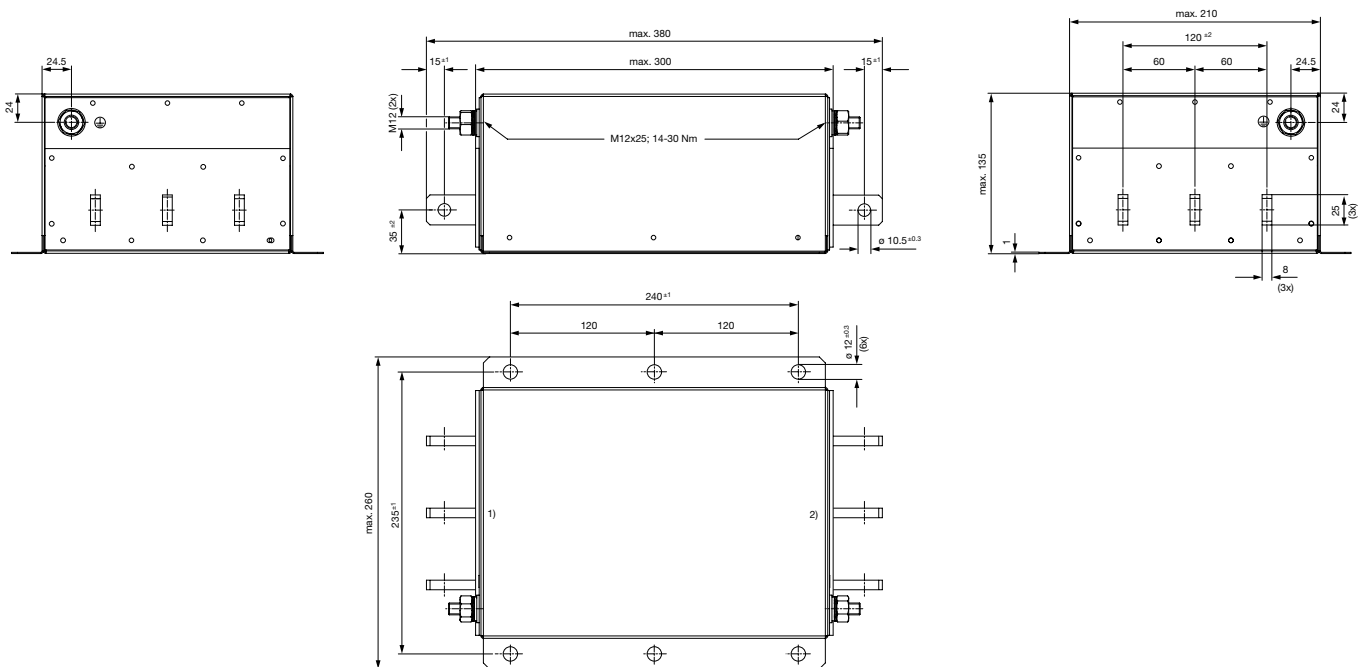


- 1) Line
- 2) Load
- 3) Lock-nut do not unscrew
- 4) Nut torque 10...17 Nm, keep lock-nut fastened

Case 3C

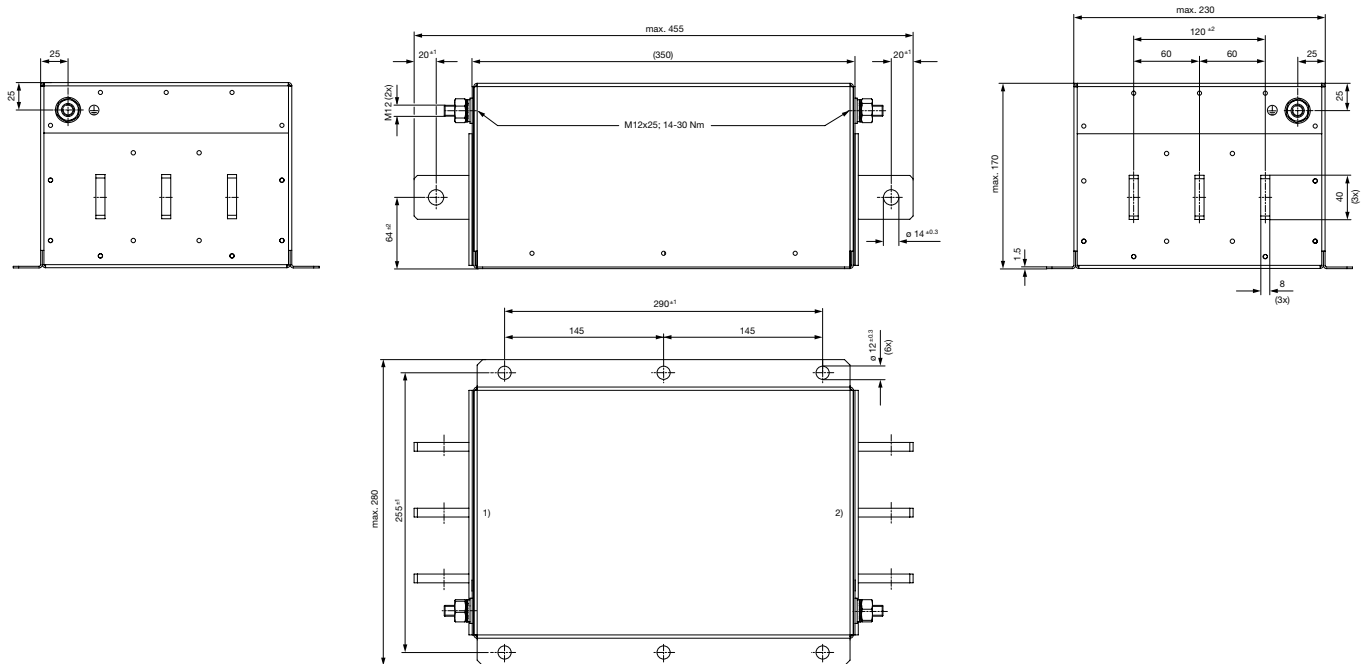


- 1) Line
 - 2) Load
- Case 3D



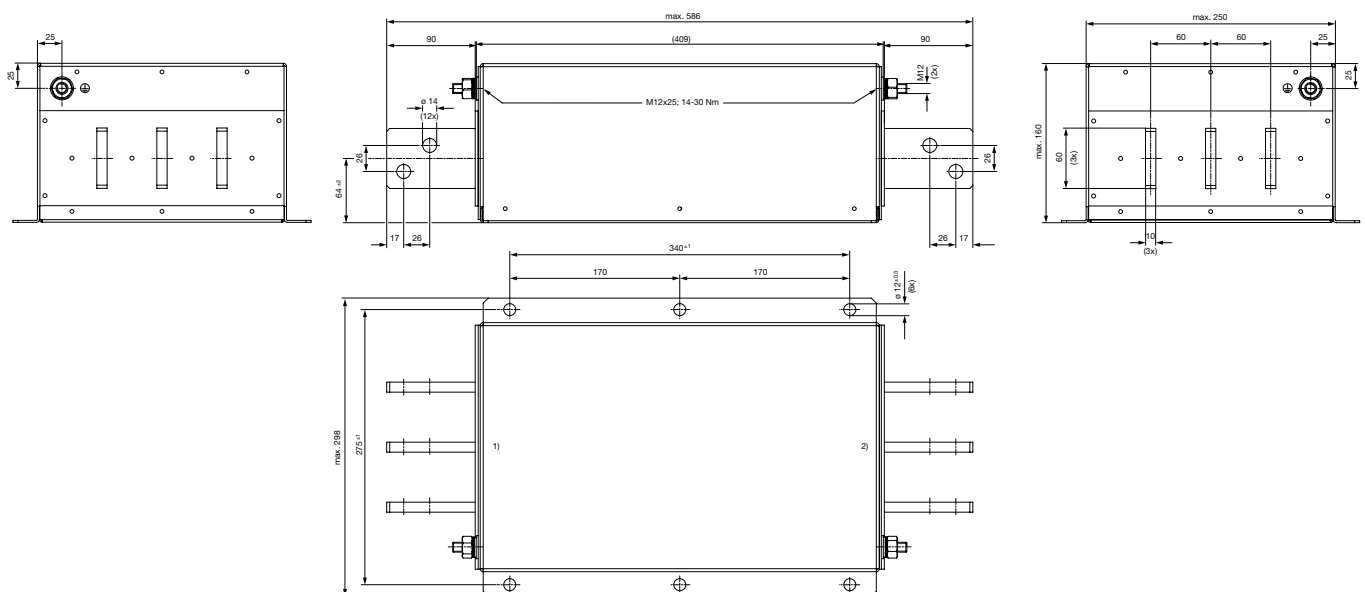
- 1) Line
- 2) Load

Case 3E



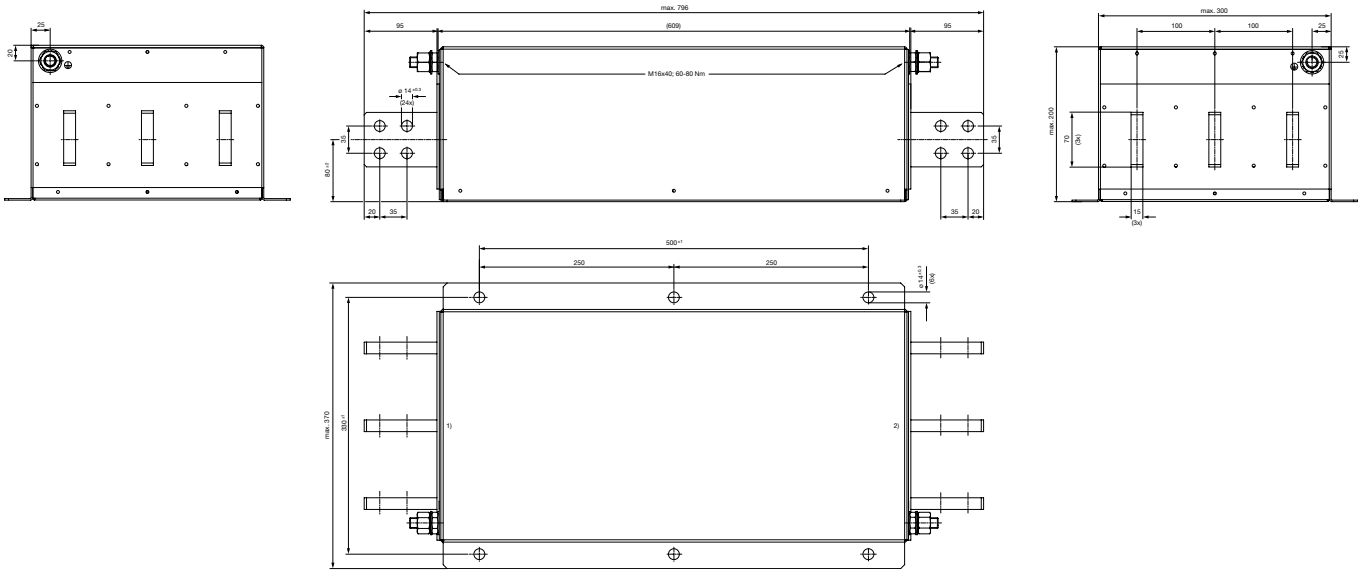
- 1) Line
- 2) Load

Case 3F



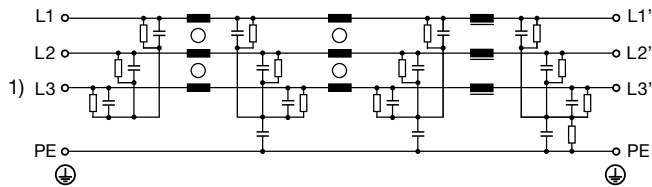
- 1) Line
- 2) Load

Case 3G



- 1) Line
- 2) Load

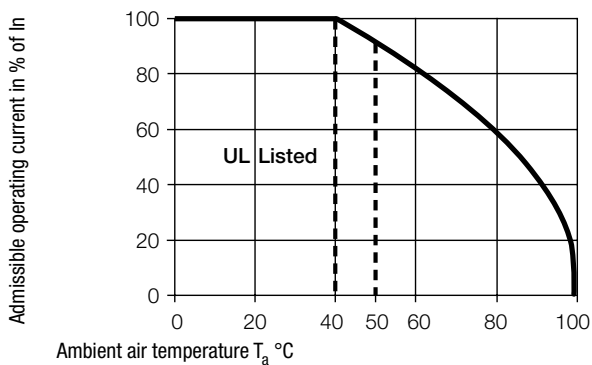
Diagrams



- 1) Line

Derating Curves

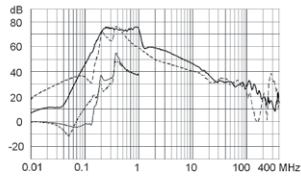
Permissible Working Current as a Function of Ambient Temperature



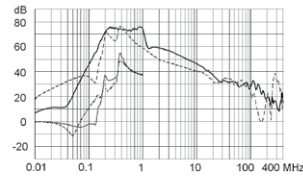
Attenuation Loss 0.1/100Ω differential mode 100/0.1Ω differential mode - - - - differential mode ____ common mode

Standard version

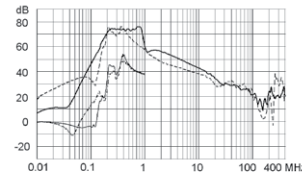
150 A / 520 V



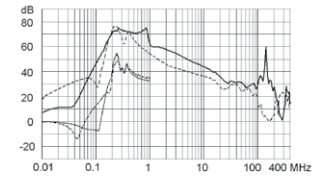
180 A / 520 V



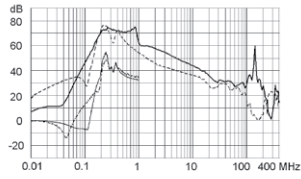
250 A / 520 V



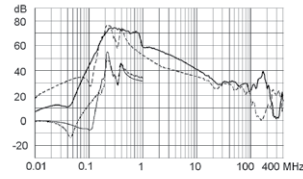
320 A / 520 V



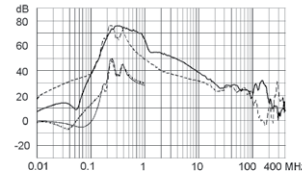
400 A / 520 V



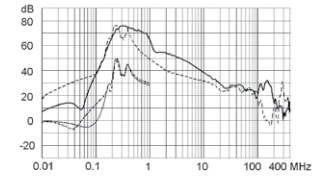
600 A / 520 V



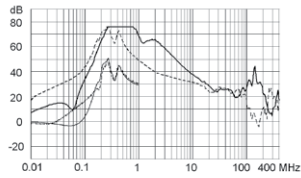
800 A / 520 V



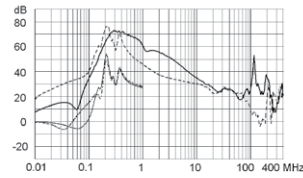
1000 A / 520 V



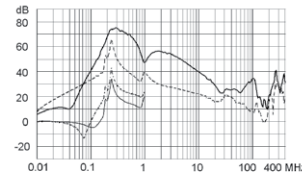
1600 A / 520 V



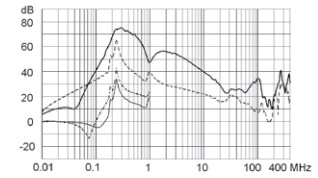
2500 A / 520 V



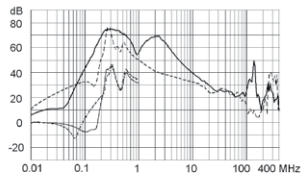
150 A / 760 V



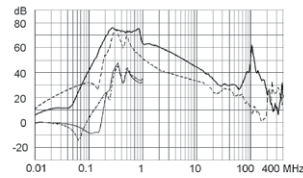
180 A / 760 V



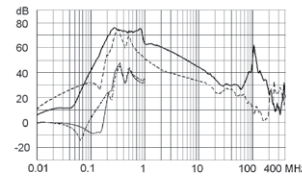
250 A / 760 V



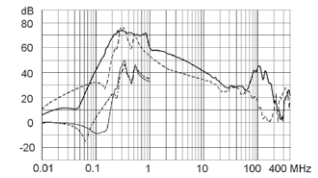
320 A / 760 V



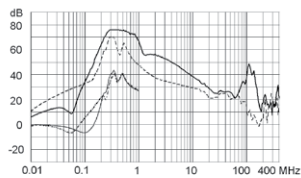
400 A / 760 V



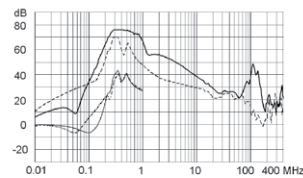
600 A / 760 V



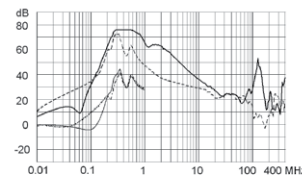
800 A / 760 V



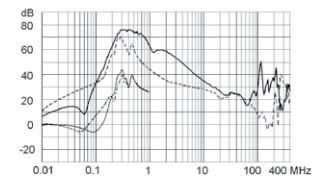
1000 A / 760 V



1600 A / 760 V



2500 A / 760 V



All Variants

Rated Current @ Ta 50°C (40°C) [A]	Rated Voltage [VAC]	Power (kW)	Leakage Cur- rent [mA] @ 440V, 60Hz ¹⁾	Power _{loss} [W]	Weight [kg]	Housing	Order Number
150 (164)	520	75	14.1	8	12 kg	3A	FMCC-H93A-J532
180 (197)	520	90	14.1	11	12 kg	3A	FMCC-H93A-J832
250 (250)	520	132	14.1	13	13.5 kg	3B	FMCC-H93B-K532
320 (350)	520	160	14.1	16	15.5 kg	3C	FMCC-H93C-L252
400 (438)	520	220	14.1	25	15.5 kg	3C	FMCC-H93C-M052
600 (657)	520	315	14.1	43	18 kg	3D	FMCC-H93D-U052
800 (876)	520	400	14.1	56	34 kg	3E	FMCC-H93E-Q052
1000 (1095)	520	560	14.1	88	34 kg	3E	FMCC-H93E-S052

1600 (1600)	520	900	14.1	150	38 kg	3F	FMCC-H93F-S652	
2500 (2500)	520	1320	14.1	286	89 kg	3G	FMCC-H93G-T552	
150 (164)	760	110	13.5	8	12 kg	3A	FMCC-I93A-J534	
180 (197)	760	132	13.5	11	12 kg	3A	FMCC-I93A-J834	
250 (250)	760	200	13.5	13	13.5 kg	3B	FMCC-I93B-K534	
320 (350)	760	250	13.5	16	15.5 kg	3C	FMCC-I93C-L254	
400 (438)	760	315	13.5	25	15.5 kg	3C	FMCC-I93C-M054	
600 (657)	760	500	13.5	43	18 kg	3D	FMCC-I93D-U054	
800 (876)	760	630	13.5	56	34 kg	3E	FMCC-I93E-Q054	
1000 (1095)	760	710	13.5	88	34 kg	3E	FMCC-I93E-S054	
1600 (1600)	760	1320	13.5	150	38 kg	3F	FMCC-I93F-S654	
2500 (2500)	760	2000	13.5	286	89 kg	3G	FMCC-I93G-T554	

Most Popular:

Availability for all products can be searched real-time: <http://www.schurter.com/en/Stock-Check/Stock-Check-SCHURTER>

1) Nominal leakage current acc. to IEC60950 - 5.2.5. under normal operating conditions. Note: worst case leakage current acc. to IEC60950 - Annex G4 (situation with two interrupted lines) can be much higher.

Packaging unit 1 Pcs

Mouser Electronics

Authorized Distributor

Click to View Pricing, Inventory, Delivery & Lifecycle Information:

Schurter:

[FMCC-H93D-U052](#) [FMCC-H93E-S052](#) [FMCC-H93F-S652](#) [FMCC-H93A-J532](#) [FMCC-H93G-T552](#) [FMCC-H93C-L252](#) [FMCC-H93E-Q052](#) [FMCC-H93A-J832](#) [FMCC-I93C-L254](#) [FMCC-I93B-K534](#) [FMCC-I93E-Q054](#) [FMCC-I93D-U054](#) [FMCC-I93E-S054](#) [FMCC-I93C-M054](#) [FMCC-I93A-J834](#) [FMCC-I93G-T554](#) [FMCC-I93A-J534](#) [FMCC-H93B-K532](#) [FMCC-I93F-S654](#) [FMCC-H93C-M052](#)