

Sine Wave Output Filter for High-speed Motor Drives



- Smoothing of PMW drive output voltage
- Suitable for motor frequencies up to 600Hz
- Increased service life of expensive high-speed motors
- Reduction of audible motor noise
- Improvement of system reliability
- Production up time for mission critical applications

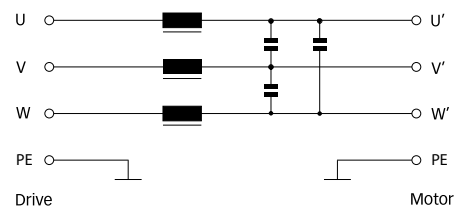
Approvals



Technical specifications

Maximum continuous operating voltage:	3x 500/288VAC
dc link voltage:	1000VDC max.
Motor frequency:	0 to 600Hz
Switching frequency:	6 to 15kHz
Rated currents:	25 to 120A @ 50°C
Motor cable length:	200m max.
Residual ripple voltage:	<5%
High potential test voltage:	P → E 2000VAC for 2 sec P → P 1000VDC for 2 sec
Protection category:	IP20
Overload capability:	1.5x rated current for 1 minute, once per hour
Temperature range (operation and storage):	-25°C to +100°C (25/100/21)
Flammability corresponding to:	UL 94V-2 or better
Design corresponding to:	UL 1283, CSA 22.2 No. 8 1986, IEC/EN 60939
MTBF @ 50°C/400V (Mil-HB-217F):	>100,000 hours
Lifetime (calculated):	> 10 years (25, 55A) ~ 5 years (75, 120A)

Typical electrical schematic



Features and benefits

- Suitable for fast rotating fields up to 600Hz.
- Conversion of the PWM output signal (symmetrical voltage components) of motor drives into a smooth sine wave with low residual ripple.
- Elimination of premature motor damage caused by high dv/dt, overvoltages, motor overheating and eddy current losses.
- Significantly increased service life of expensive (high-speed) motors.
- Reduction of the pulse load of motor drive IGBTs and the parasitic losses on long shielded motor cables.
- Less interference propagation towards neighboring equipment or lines.
- Advanced choke design to minimize filter losses and voltage drop.
- IP20 protection, touch-safe terminals and temperature monitoring function to increase overall equipment safety.

Typical applications


Motor drives and motors in high-speed applications, like:

- High-speed spindles
- Textile machinery
- Lasers
- Military appliances (400Hz)

Motor drive applications with medium to long motor cables and/or with multiple motors in parallel, like:

- Pumps
- Conveyors

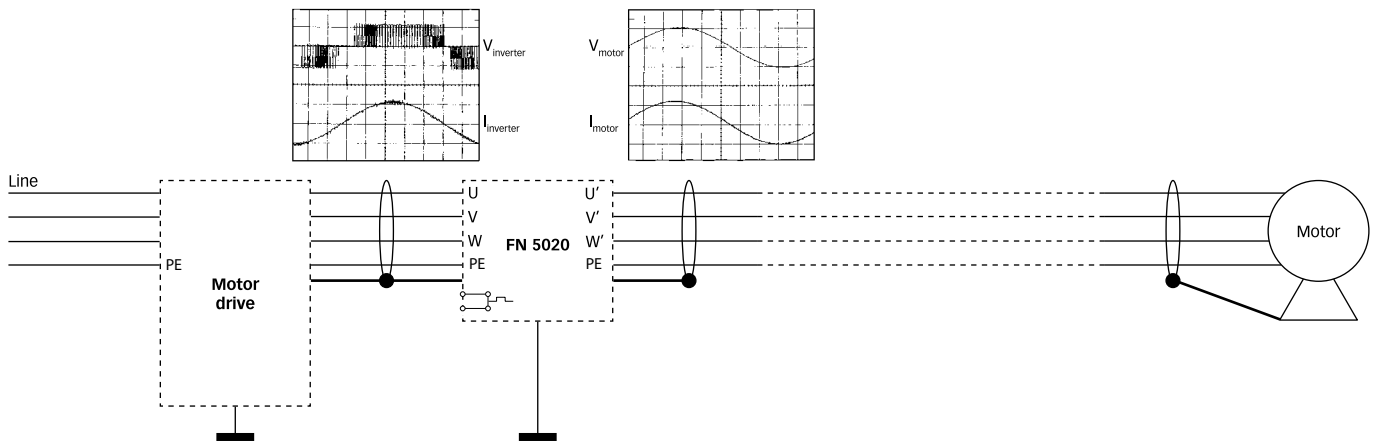
Filter selection table

Filter	Rated current @ 50°C	Typical motor power rating*	Typical power loss**	Output connections	Weight
	[A]	[kW]	[W]		[kg]
FN 5020-25-33	25	15	n.a.	-33	13
FN 5020-55-34	55	30	n.a.	-34	29
FN 5020-75-35	75	45	n.a.	-35	49
FN 5020-120-35	120	75	n.a.	-35	57

* General purpose four-pole (1500r/min) AC induction motor rated 480V/50Hz.

** Exact value highly depends upon the motor cable type and length, switching frequency, motor frequency and further stray parameters within the system. Please contact your local Schaffner partner for individual application support.

Typical block schematic



Temperature monitoring function

All filters of this range are equipped with a temperature monitoring function. The built-in temperature sensor opens a potential-free contact in the case of filter overtemperature

(>120°C). The maximum switching capability is 6A/250V. This function can be used, for example, in the input of a CNC controller or as the trip of a circuit breaker in order to

interrupt the mains power supply. Connections are located next to the phase connectors (see mechanical data for details).

Forced cooling

The 75A and 120A filters provide internal cooling fans which require external power

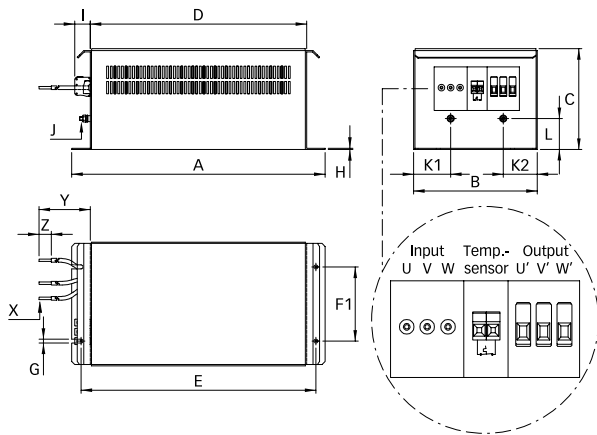
supply (24VDC/~4W). Connections are located next to the connectors of the

temperature sensor (see mechanical data for details).

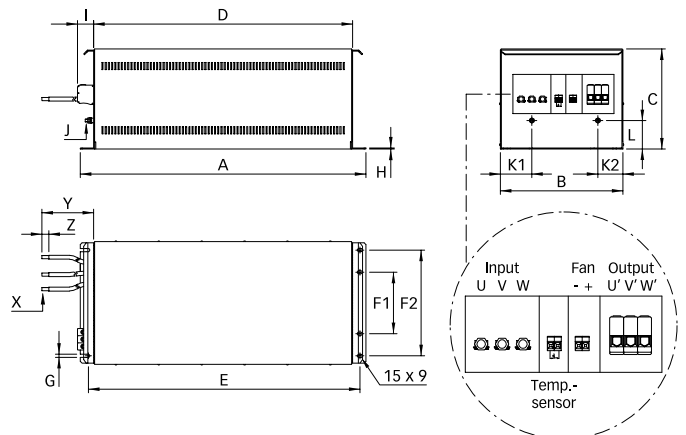
For additional information please consult the Schaffner application note „Sinus Plus – New Output Filter Concept for Power Drive Systems“.

Mechanical data

25 and 55A types



75 and 120A types



Dimensions

	25A	55A	75A	120A
A	410	554	799	799
B	200	250	343	343
C	163	203	280	280
D	350	500	725	725
E	380	524	760	760
F1	120	170	172	172
F2			296	296
G	6.5	9	9	9
H	2	3	3	3
I	25	39	45	45
J	M6	M6	M8	M8
K1	60	70	88	88
K2	55	55	70	70
L	50	69	80	80
X	AWG 10	AWG 6	25mm ²	35mm ²
Y	1000 +20/-0	1000 +20/-0	1000 +20/-0	1000 +20/-0
Z	20	20	20	20

All dimensions in mm; 1 inch = 25.4mm
Tolerances according: ISO 2768-m / EN 22768-m

Filter output connector cross sections

	-29	-33	-34	-35
Solid wire	6mm ²	16mm ²	35mm ²	50mm ²
Flex wire	4mm ²	10mm ²	25mm ²	50mm ²
AWG type wire	AWG 10	AWG 6	AWG 2	AWG 1/0
Recommended torque	0.6 - 0.8Nm	1.5 - 1.8Nm	4.0 - 4.5Nm	7 - 8Nm

Please visit www.schaffner.com to find more details on filter connectors.

**Headquarters and
global innovation and
development center**

Schaffner Group
Nordstrasse 11
4542 Luterbach
Switzerland
T +41 32 681 66 26
F +41 32 681 66 30
info@schaffner.ch
www.schaffner.com

Sales and application centers

China
Schaffner EMC Ltd. Shanghai
Building 11, Lane 1365
East Kangqiao Road
Shanghai 201319
T +86 21 6813 9855
F +86 21 6813 9811
cschina@schaffner.com
www.schaffner.com

Germany
Schaffner Deutschland GmbH
Schoemperlenstrasse 12B
76185 Karlsruhe
T +49 721 56910
F +49 721 569110
germanysales@schaffner.com

Finland
Schaffner Oy
Tynninkuja 7
08700 Lohja
T +358 19 35 72 71
F +358 19 32 66 10
finlandsales@schaffner.com

France
Schaffner EMC S.A.S.
112, Quai de Bezons
95103 Argenteuil
T +33 1 34 34 30 60
F +33 1 39 47 02 28
francesales@schaffner.com

Italy
Schaffner EMC S.r.l.
Via Galileo Galilei, 47
20092 Cinisello Balsamo (MI)
T +39 02 66 04 30 45/47
F +39 02 61 23 943
italysales@schaffner.com

Japan
Schaffner EMC K.K.
Mitsui-Seimei Sangenjaya Bldg. 7F
1-32-12, Kamiyama, Setagaya-ku
Tokyo 154-0011
T +81 3 5712 3650
F +81 3 5712 3651
japansales@schaffner.com
www.schaffner.jp

Sweden
Schaffner EMC AB
Turebergstorg 1, 6
19147 Sollentuna
T +46 8 5792 1121/22
F +46 8 92 96 90
swedensales@schaffner.com

Switzerland
Schaffner EMV AG
Nordstrasse 11
4542 Luterbach
T +41 32 681 66 26
F +41 32 681 66 41
sales@schaffner.ch

Singapore
Schaffner EMC Pte Ltd.
Blk 3015A Ubi Road 1
05-09 Kampong Ubi Industrial
Estate
T +65 6377 3283
F +65 6377 3281
singaporesales@schaffner.com

Spain
Schaffner EMC España
Calle Caléndula 93,
Miniparc III, Edificio E
El Soto de la Moraleja,
Alcobendas
28109 Madrid
T +34 618 176 133
spainsales@schaffner.com

Taiwan
Schaffner EMV Ltd.
6th Floor, No 413
Rui Guang Road
Neihu District
Taipei City 114
T +886 2 87525050
F +886 2 87518086
taiwansales@schaffner.com

Thailand
Schaffner EMC Co. Ltd.
Northern Region Industrial Estate
67 Moo 4 Tambon Ban Klang
Amphur Muang P.O. Box 14
Lamphun 51000
T +66 53 58 11 04
F +66 53 58 10 19
thailandsales@schaffner.com

UK
Schaffner Ltd.
5 Ashville Way
Molly Millars Lane
Wokingham
Berkshire RG41 2PL
T +44 118 9770070
F +44 118 9792969
uksales@schaffner.com
www.schaffner.uk.com

USA
Schaffner EMC Inc.
52 Mayfield Avenue
Edison, New Jersey 08837
T +1 732 225 9533
F +1 732 225 4789
usasales@schaffner.com
www.schaffner.com/us

To find your local partner within
Schaffner's global network, please go to

www.schaffner.com

May 2011

© 2011 Schaffner EMC.
Specifications subject to change without
notice. All trademarks recognized.

Schaffner is an ISO-registered company.
Its products are designed and manufac-
tured under the strict quality and environ-
mental requirements of the ISO 9001 and
ISO 14001 standards.

This document has been carefully
checked. However, Schaffner does not
assume any liability for errors or inac-
curacies.

Mouser Electronics

Authorized Distributor

Click to View Pricing, Inventory, Delivery & Lifecycle Information:

[Schaffner:](#)

[FN5020-120-35](#) [FN5020-25-33](#) [FN5020-55-34](#) [FN5020-75-35](#)