

PULSEJACK™

RJ45/Dual USB Combo

Description:

RJ45/Dual USB Combo is a Through Hole (THT) Integrated Connector Module with a single RJ45 in combination with 2USB ports. The internal magnetics are designed to support 10/100/1000Base-TX applications such as LAN-on-Motherboard (LOM) and PC applications.



Features and Benefits:

- Ⓜ RoHS peak wave solder temperature rating 260°C
- Ⓜ USB module complies with USB 2.0 standards
- Ⓜ RJ45 connection meets CAT3, 5e & 6 Fast Ethernet performance standard

Electrical Performance Summary:

- Ⓜ Meets IEEE 802.3 specification
- Ⓜ High performance for maximum EMI suppression
- Ⓜ Minimum 1500Vrms isolation per IEEE 802.3 requirement

Electrical Specifications @ 25°C — Operating Temperature 0°C to +70°C

| RoHS Compliant Part Number | Data Rate | Turns Ratios | | LEDs | Insertion Loss TX/RX (dB MAX) | Return Loss @ 100Ω ±15Ω (dB TYP) | | | Cross talk (dB MIN) | | | Common Mode Rejection (dB TYP) | | Hipot (Vrms) (MIN) |
|----------------------------|-------------|--------------|-------|------------------|-------------------------------|----------------------------------|--------|-----------|---------------------|-----------|------------|--------------------------------|------------|--------------------|
| | | TX | RX | L/R | 1-65 MHz | 1-10 MHz | 30 MHz | 60-80 MHz | 1-10 MHz | 32-60 MHz | 60-100 MHz | 1-50 MHz | 50-130 MHz | @60Hz 1 MIN |
| JW0-0009NL | 10/100 | 1CT:1 | 1CT:1 | G/Y ² | -1.0 | -20 | -16 | -12 | -40 | -35 | -30 | -30 | -20 | 1500 |
| JY0-0016NL | 10/100 | 1CT:1 | 1CT:1 | G-O/Y | -1.0 | -20 | -16 | -12 | -40 | -35 | -30 | -30 | -20 | 1500 |
| JW0-0006NL | 10/100/1000 | 1CT:1 | 1CT:1 | G/G-Y | -1.0 | -20 | -16 | -12 | -40 | -35 | -30 | -30 | -20 | 1500 |
| JW0-0013NL | 10/100/1000 | 1CT:1 | 1CT:1 | G-O/Y | -1.0 | -20 | -16 | -12 | -40 | -35 | -30 | -30 | -20 | 1500 |

NOTES:

1. LEDs Left/Right: G = green; Y = yellow; O = Orange.
2. G = Green with 250Ω internal resistor; Y = Yellow with 250Ω internal resistor.

RJ45 Durability Testing Rating

| Part Number | Mating Force (MAX) | Unmating Force (MAX) | Durability | Plug to Jack Retention (MIN) |
|--------------|--------------------|----------------------|----------------|------------------------------|
| JW/JY Series | 5lbs./2.268kgs. | 5lbs./2.268kgs. | 500 Insertions | 20lbs./9.072kgs. |

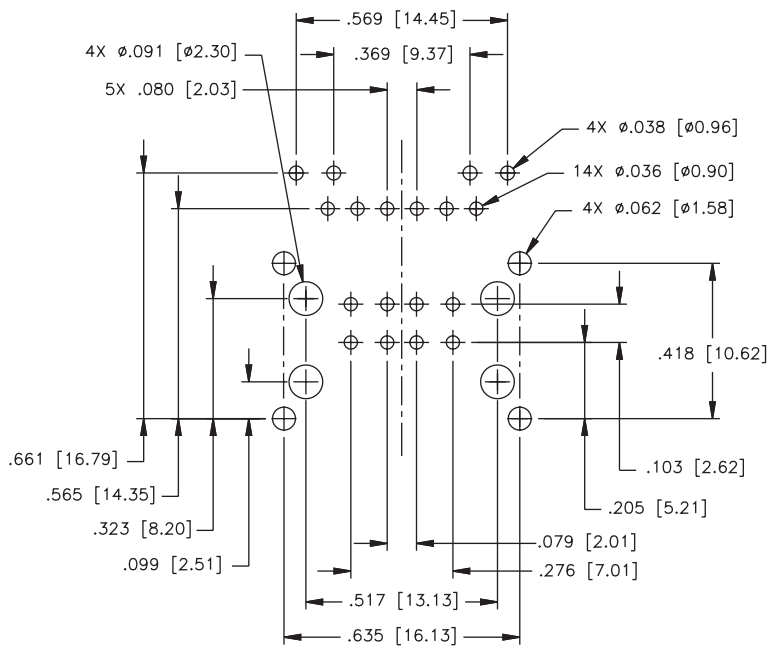
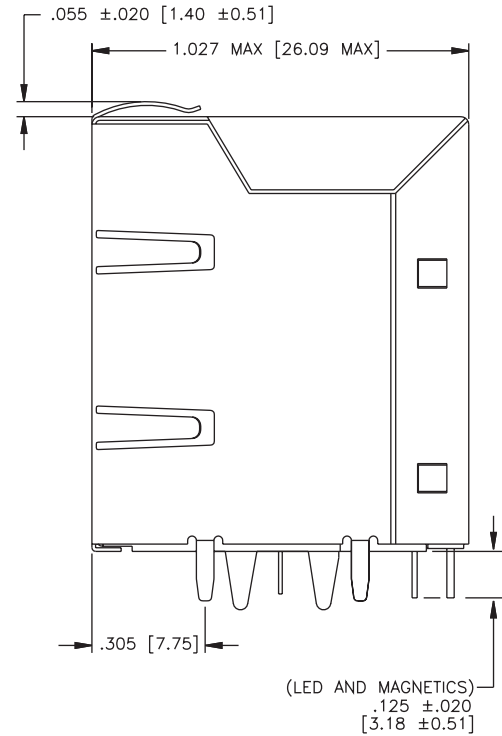
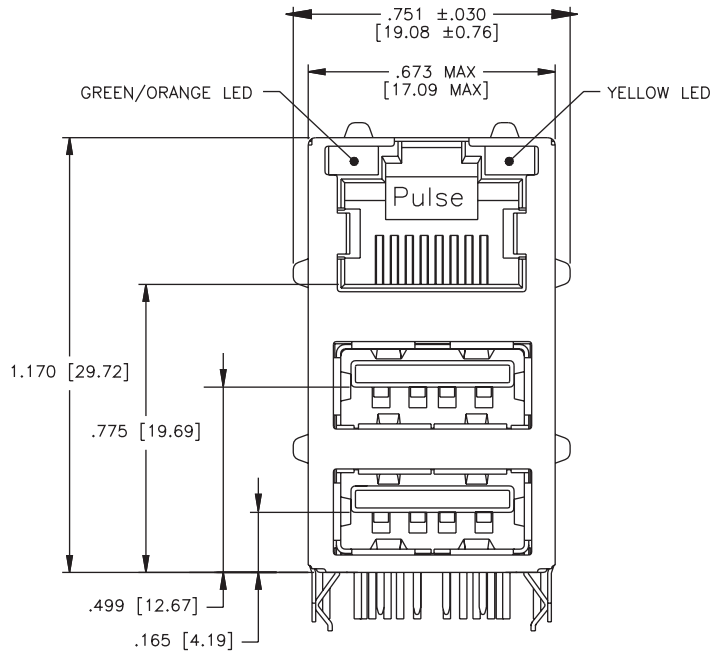
RJ45 Material Specification

| Part Number | Shield | | Contact | | | Housing | | MSL ² Rating |
|--------------|----------|---------------------------------------|-----------------|-------------------------------------------|------------------|---------------|---------------|-------------------------|
| | Material | Finish | Material | Plating Area | Solder Area | Material | Specification | |
| JW/JY Series | Brass | 20-40μ inches thick nickel over brass | Phosphor Bronze | 15μ inches gold over 30-80μ inches nickel | Tin matte finish | Thermoplastic | UL 94 V-0 | 1 |

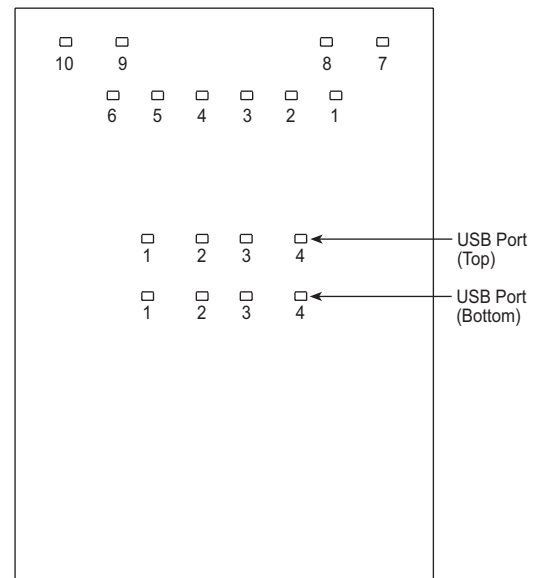
NOTES: 1. Connector dimensions comply with FCC dimension requirements. 2. MSL = Moisture Sensitivity Level

Mechanical

JY0-0016NL



SUGGESTED FOOTPRINT (SHOWN FROM COMPONENT SIDE)
DIMENSIONAL TOLERANCE: INCHES [METRIC]
.XXX ±.003 [X.XX ±0.08]

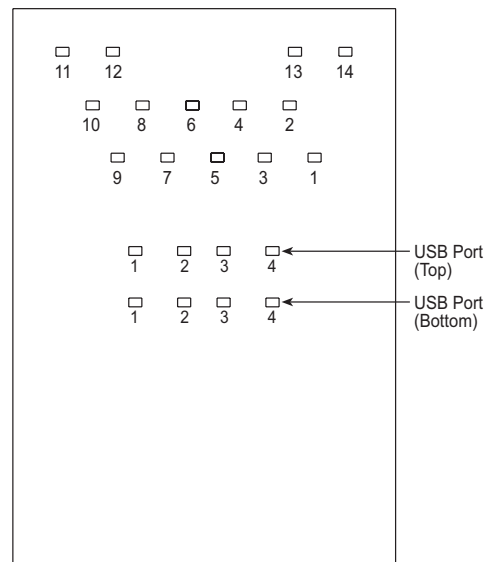
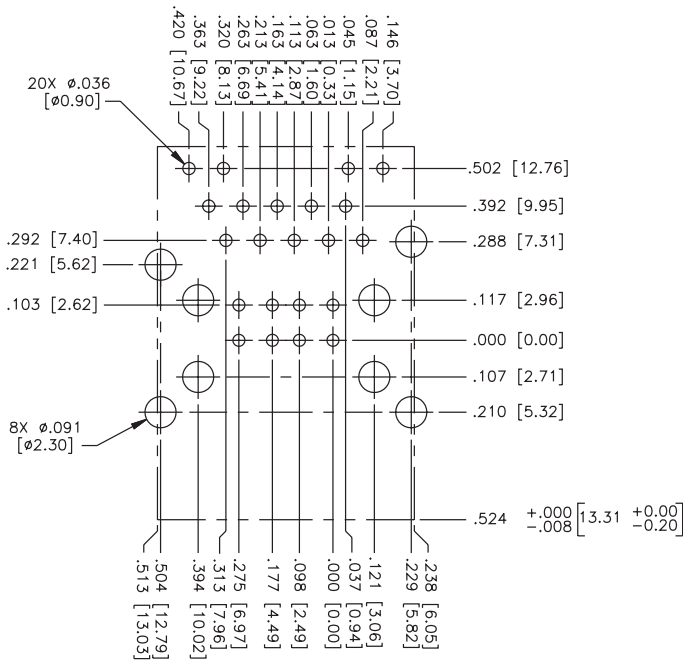
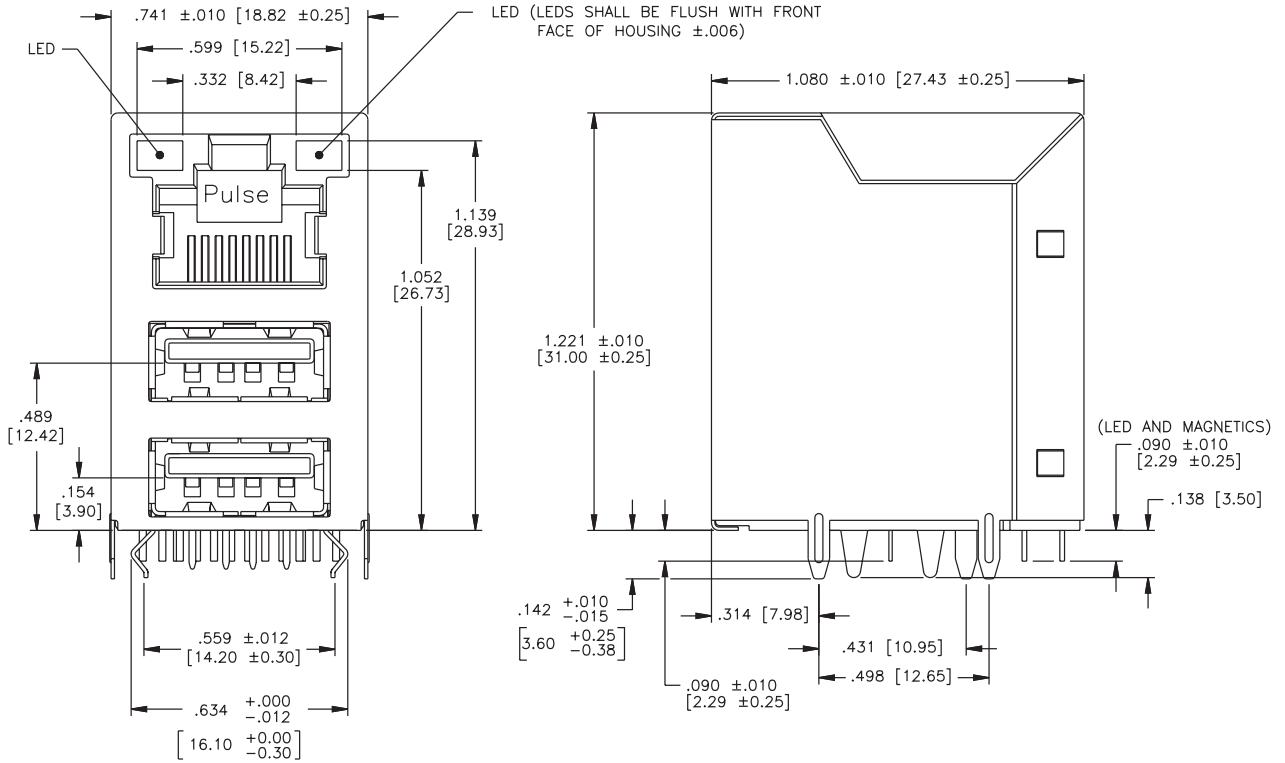


PIN CONFIGURATION (SHOWN FROM COMPONENT SIDE)

Weight8.1 grams
Tray25/tray

Mechanical

JW0-0006NL, JW0-0009NL



PIN CONFIGURATION (SHOWN FROM COMPONENT SIDE)

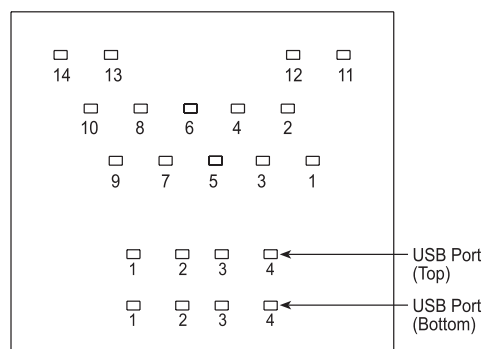
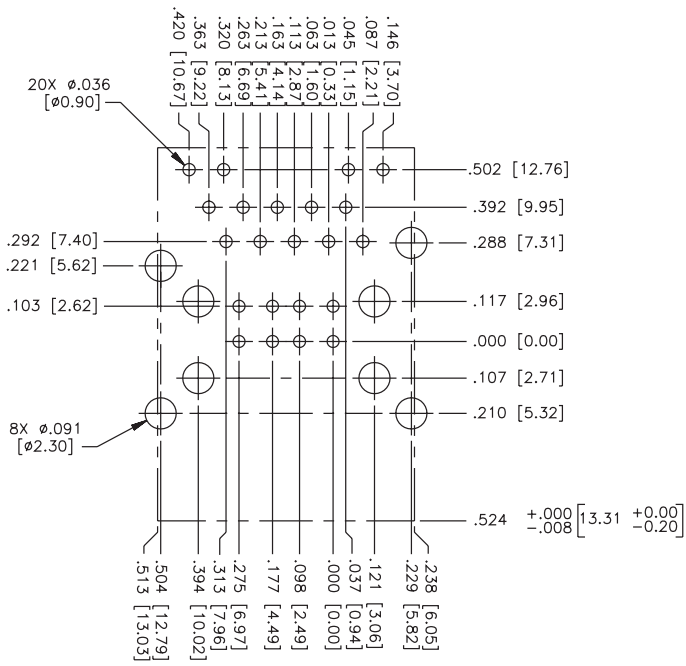
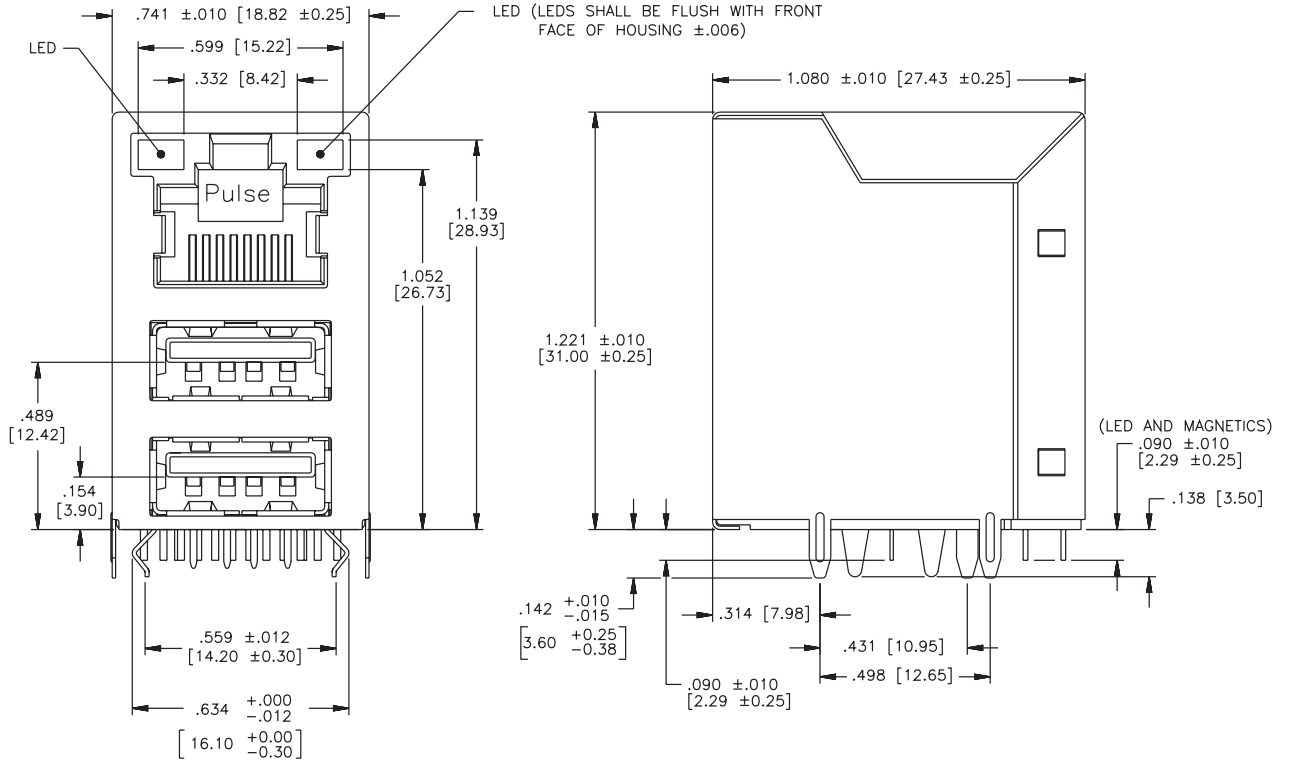
SUGGESTED FOOTPRINT (SHOWN FROM COMPONENT SIDE)

DIMENSIONAL TOLERANCE: INCHES [METRIC]
.XXX ±.003 [X.XX ±0.08]

Weight 8.1 grams
Tray 25/tray

Mechanical

JW0-0013NL



PIN CONFIGURATION (SHOWN FROM COMPONENT SIDE)

SUGGESTED FOOTPRINT (SHOWN FROM COMPONENT SIDE)

DIMENSIONAL TOLERANCE: INCHES [METRIC]

.XXX ±.003 [X.XX ±0.08]

Weight 8.1 grams

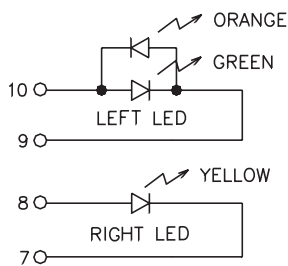
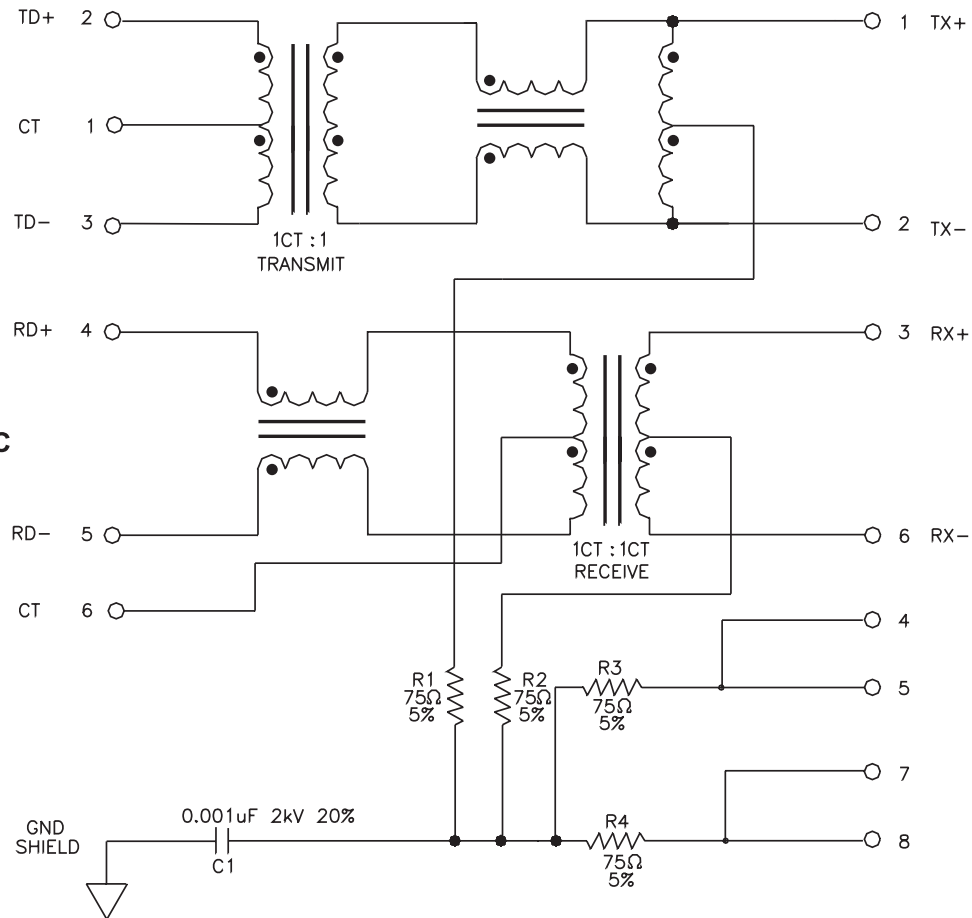
Tray 25/tray

Schematic

JY0-0016NL

PCB connections to the Physical Layer IC

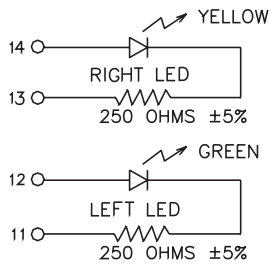
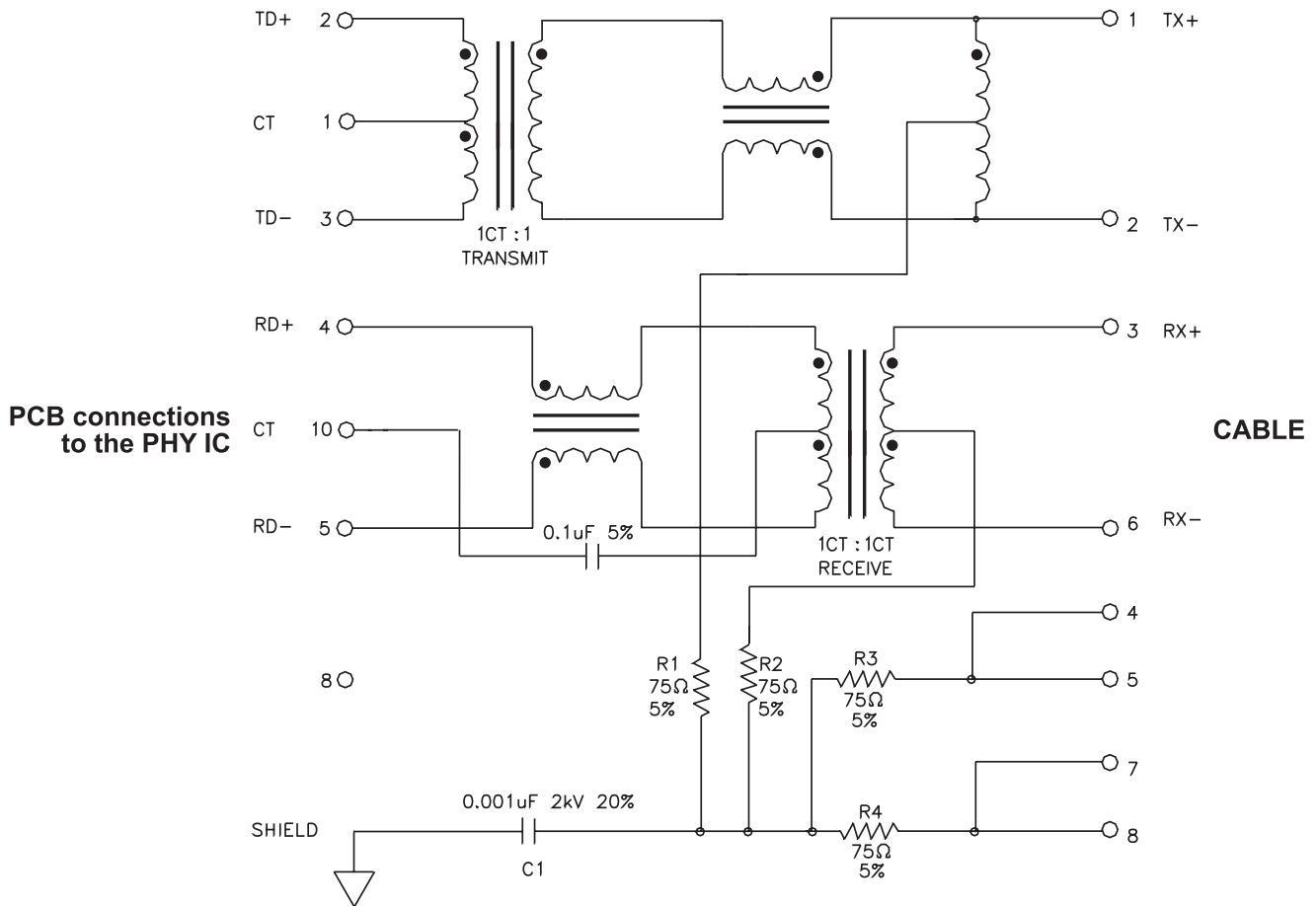
CABLE



| STANDARD LED | WAVE * LENGTH | V(MAX) | I _F @5V | |
|--------------|---------------|--------|--------------------|-------|
| | | | (TYP) | (MAX) |
| YELLOW | 585 nm | 5 V | 10 mA | 15 mA |
| GREEN/ORANGE | 568/610 nm | 5 V | 10 mA | 15 mA |

Schematic

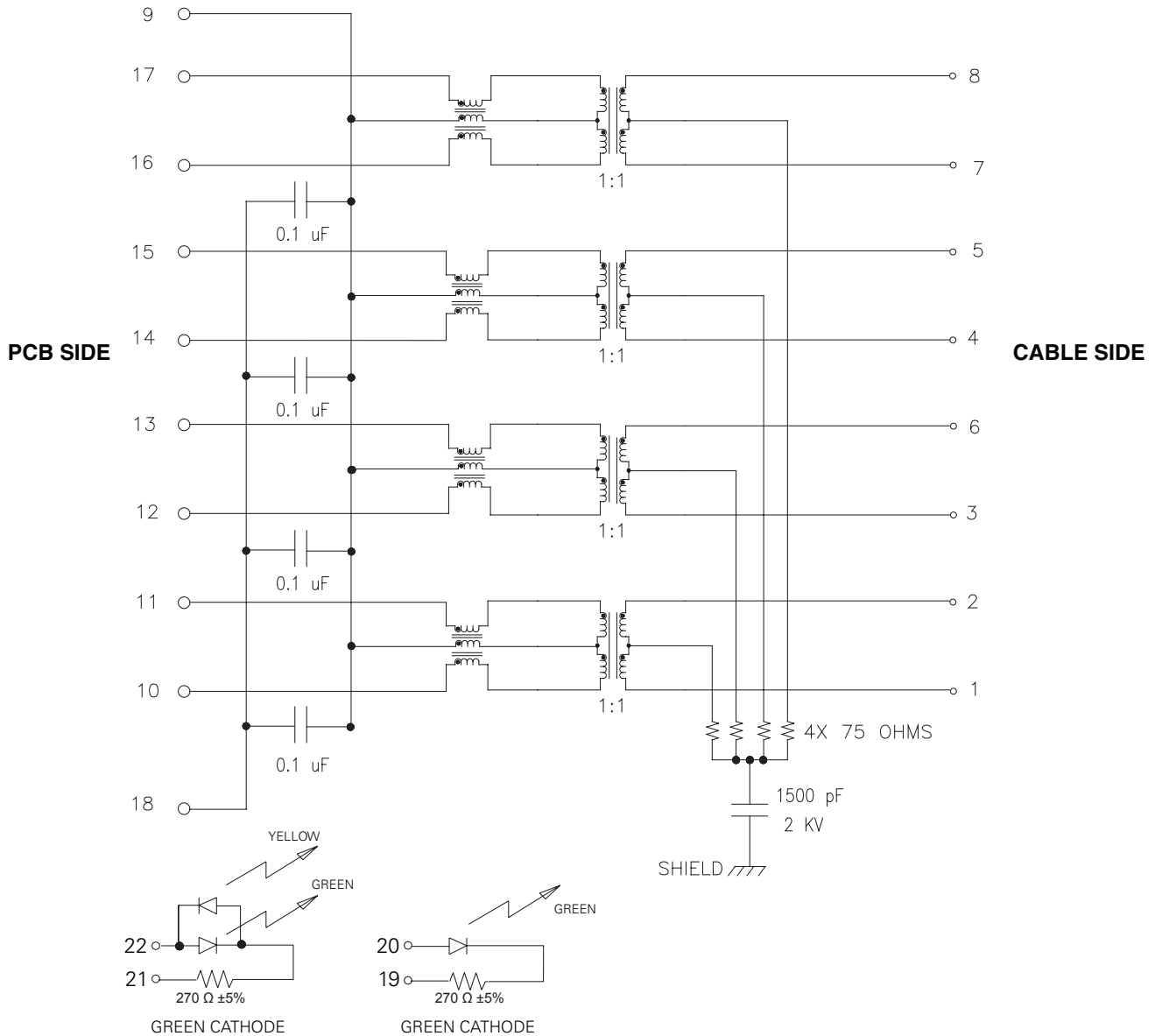
JW0-0009NL



| STANDARD LED | WAVE * LENGTH | V(MAX) | I_F @5V (TYP) (MAX) | |
|--------------|------------------|--------|--------------------------|-------|
| YELLOW | 585 nm | 5 V | 10 mA | 15 mA |
| GREEN | 565 nm | 5 V | 10 mA | 15 mA |

Schematic

JW0-0006NL

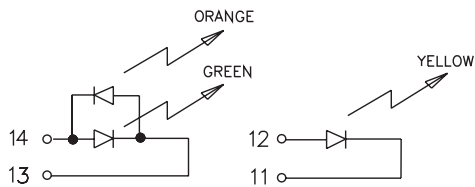
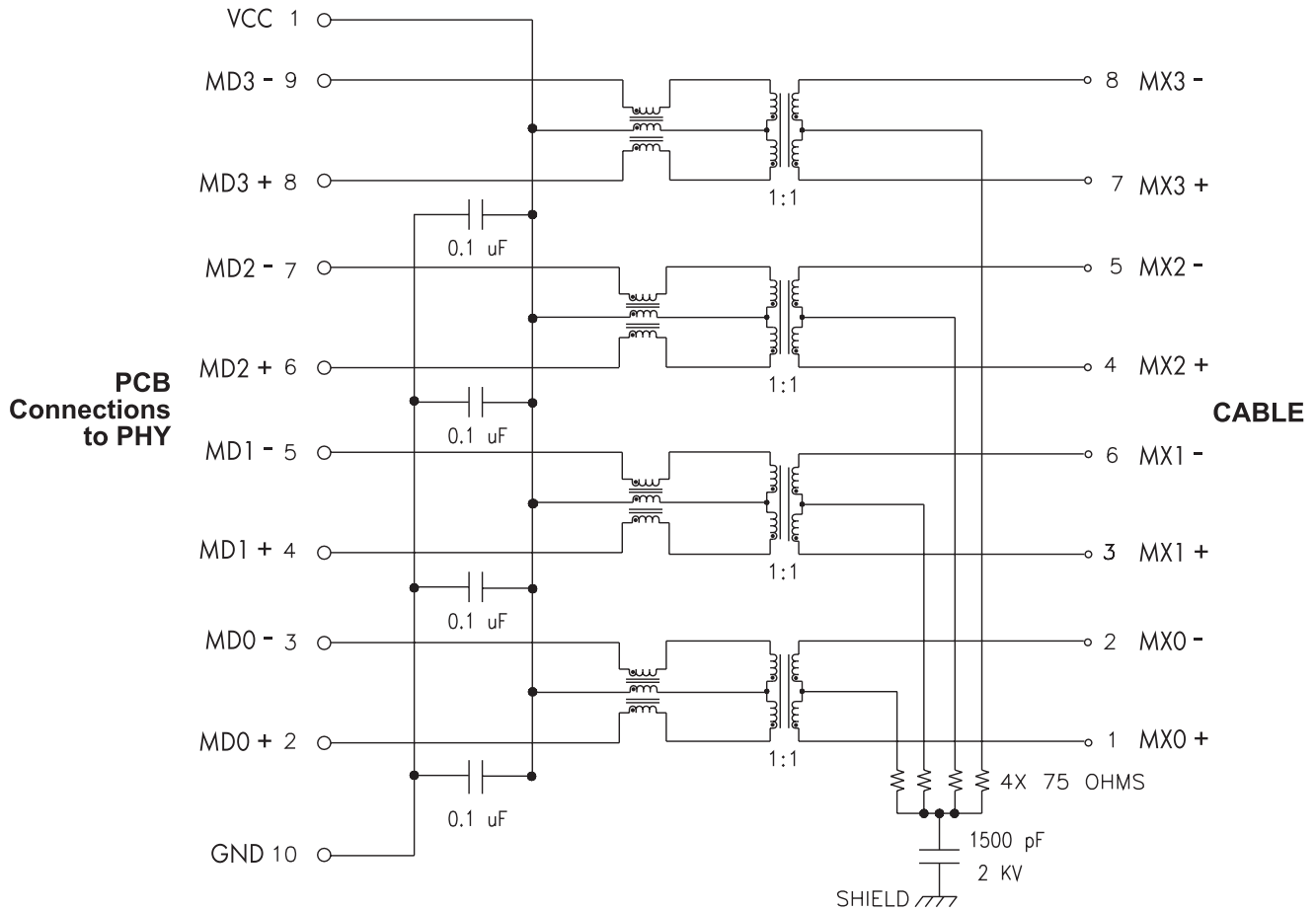


JW0-0006 NL LEDs

| STANDARD LED | WAVE * LENGTH | V(MAX) | I _F @5V | |
|--------------|---------------|--------|--------------------|-------|
| | | | (TYP) | (MAX) |
| GREEN/YELLOW | 568/590 nm | 5 V | 10 mA | 15 mA |
| GREEN | 565 nm | 5 V | 10 mA | 15 mA |
| YELLOW | 585 nm | 5 V | 10 mA | 15 mA |
| GREEN/ORANGE | 568/610 nm | 5 V | 10 mA | 15 mA |

Schematic

JW0-0013NL



JW0-0013NL LEDs

| STANDARD LED | WAVE * LENGTH | V(MAX) | I _F @5V | |
|--------------|---------------|--------|--------------------|-------|
| | | | (TYP) | (MAX) |
| GREEN/YELLOW | 568/590 nm | 5 V | 10 mA | 15 mA |
| GREEN | 565 nm | 5 V | 10 mA | 15 mA |
| YELLOW | 585 nm | 5 V | 10 mA | 15 mA |
| GREEN/ORANGE | 568/610 nm | 5 V | 10 mA | 15 mA |

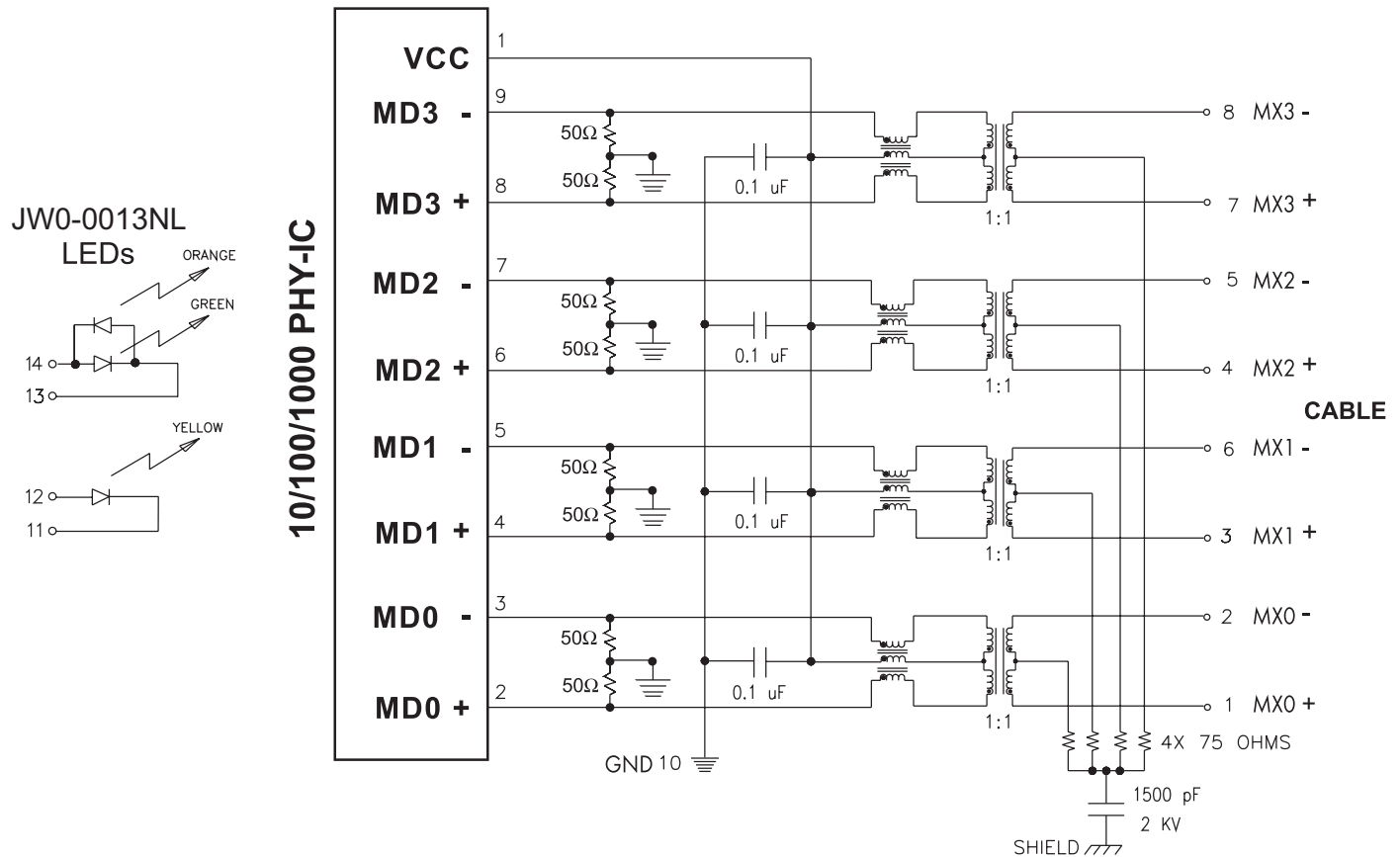
USB/RJ45 Application Note

This line of Integrated Connector Modules are specifically designed for the implementation of a 10Base-T, 100Base-TX and 1000Base-TX transmission over data-grade unshielded twisted pair cable (UTP-3, 5/5e).

The connectors provide excellent EMI filtering and are suitable for Desktop PC, Embedded Systems and Multiport Applications. Pulse has worked closely with the leading IC manufacturers in

providing these 10/100/1000 solutions, thereby assuring compatibility with each transceiver.

JW0 and JY0 series meet the stringent open circuit inductance requirements of IEEE. When an 8mA DC current is applied across the transformer windings, the transformer will provide at least 350µH. The transformers used in each module also provide 1500Vrms minimum isolation, wide bandwidth with minimal attenuation and fast rise times to minimize system level jitter.



PCB Layout Recommendations:

- For maximum EMI suppression (electromagnetic interference) place the decoupling capacitors adjacent to Vcc and 50Ω connections.
- Connections to ground should be as short as possible.
- Connections between the 10/100/1000 IC and the connector should be direct (ideally no change in direction) and of minimum length.

For More Information:

| Pulse Worldwide Headquarters | Pulse Europe | Pulse China Headquarters | Pulse North China | Pulse South Asia | Pulse North Asia |
|--------------------------------------------------------------------------------------------------|----------------------------------------------------|-----------------------------------------------------------------------------------------------------------------------------------------------|----------------------------------------------------------------------------------------------------------|-----------------------------------------------------------------------|-------------------------------------------------------------------------------|
| 12220 World Trade Dr. San Diego, CA 92128 U.S.A. | Einsteinstrasse 1 D-71083 Herrenberg Germany | B402, Shenzhen Academy of Aerospace Technology Bldg. 10th Kejinan Rd. High-Tech Zone Nanshan District Shenzen, PR China 518057 | Room 2704/2705 Super Ocean Finance Ctr. #03-02 2067 Yan An Rd. West Shanghai 200336 China | 135 Joo Seng Rd. #03-02 PM Industrial Bldg. Singapore 368363 | No. 26, Kao Ching Rd. Yang Mei Chen Taoyuan Hsien Taiwan R. O. C. |
| www.pulseeng.com Tel: 858 674 8100 Fax: 858 674 8262 | Tel: 49 7032 7806 0 Fax: 49 7032 7806 135 | Tel: 86 755 33966678 Fax: 86 755 33966700 | Tel: 86 21 62787060 Fax: 86 2162786973 | Tel: 65 6287 8998 Fax: 65 6280 0080 | Tel: 886 3 4643715 Fax: 886 3 4641911 |

Performance warranty of products offered on this data sheet is limited to the parameters specified. Data is subject to change without notice. Other brand and product names mentioned herein may be trademarks or registered trademarks of their respective owners.

© Copyright, 2009. Pulse Engineering, Inc. All rights reserved.

Mouser Electronics

Authorized Distributor

Click to View Pricing, Inventory, Delivery & Lifecycle Information:

Pulse:

[JY0-0016NL](#) [JW0-0006NL](#)