

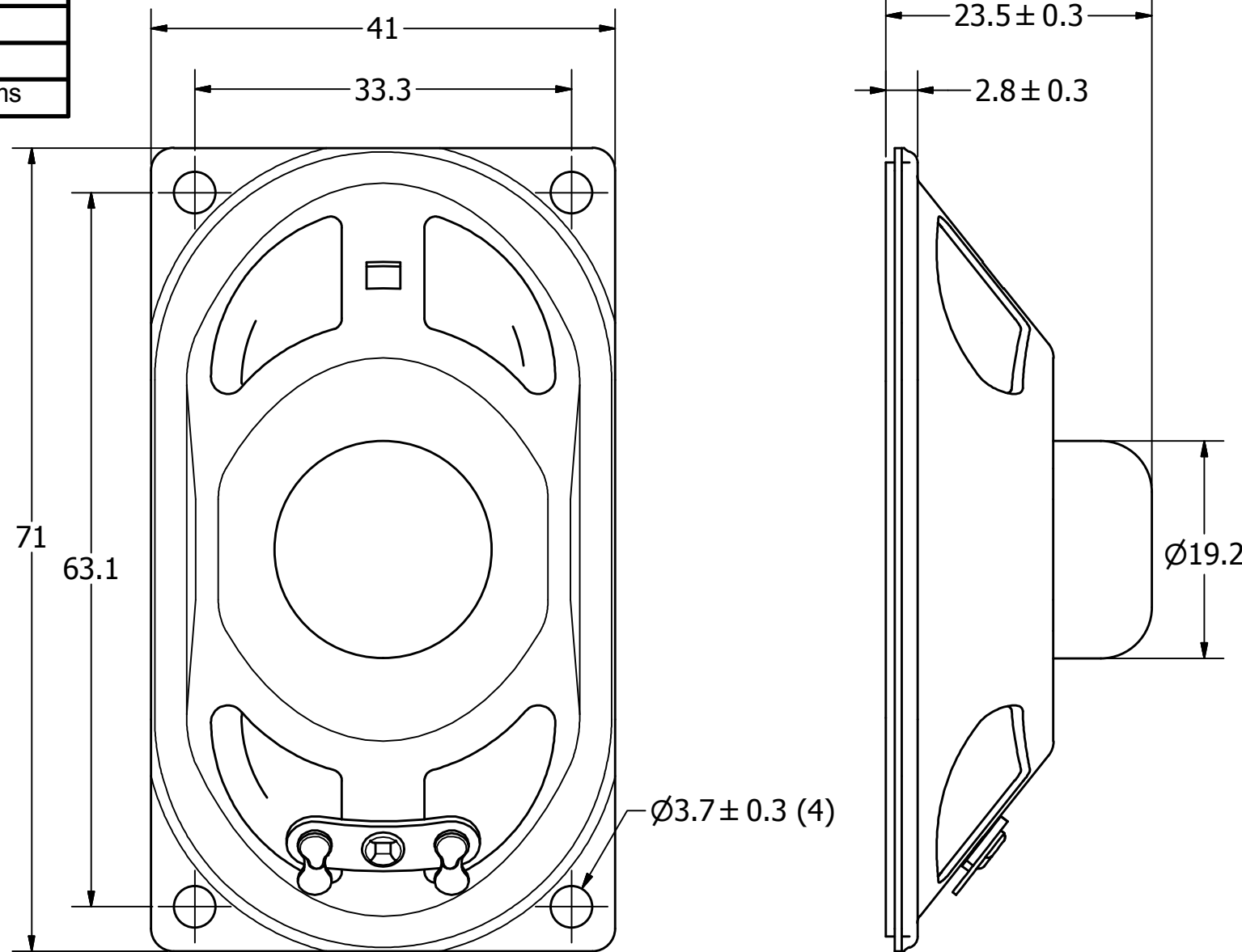
SPECIFICATIONS

PARAMETERS	VALUES	UNITS
RATED INPUT POWER	3	W
MAX INPUT POWER	5	W
IMPEDANCE	8 ± 15%	OHM
OUTPUT SPL @ 1W/0.5M (AT 0.8, 1.0, 1.2, 1.5 kHz)	86 ± 3	dB
DISTORTION (MAX.)	5%	-
RESONANT FREQUENCY	250 ± 70	Hz
FREQUENCY RANGE	100 ~ 20,000	Hz
HOUSING MATERIAL	METAL	-
CONE MATERIAL	PAPER	-
MAGNET MATERIAL	NdFeB	-
OPERATING TEMPERATURE	-20 ~ +60	°C
WEIGHT	36	grams

THIS DOCUMENT CONTAINS DATA PROPRIETARY TO PROJECTS UNLIMITED, INC. ANY USE OR REPRODUCTION, IN ANY FORM, WITHOUT PRIOR WRITTEN PERMISSION OF PROJECTS UNLIMITED, INC. IS PROHIBITED.
©2003, Projects Unlimited Inc.

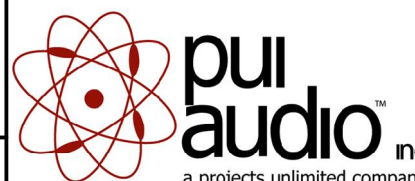
REVISION HISTORY

LTR	DESCRIPTION	DATE	APPROVED
-	RELEASED FROM ENGINEERING	7/14/2006	
A	REVISED RESONANT FREQUENCY TOLERANCE	3/13/2007	R.W.
B	REVISED TO INVENTOR 3-D DRAWING TEMPLATE	5/6/2008	B.R.



NOTES:

1. ALL DIMENSIONS ARE IN MILLIMETERS.
2. SPECIFICATIONS SUBJECT TO CHANGE OR WITHDRAWL WITHOUT NOTICE.
3. THIS PART IS RoHS 2002/95/EC COMPLIANT.

UNLESS OTHERWISE SPECIFIED: DIMENSIONS ARE IN MILLIMETERS, TOLERANCES ARE ±0.5 AND ANGLES ARE ±3°.	SIZE A3	Designed by	Date	Checked by	Date	Approved by	Date	Drawn Date
		J.D.	7/14/2006	E.P.	7/14/2006	R.W.	7/14/2006	5/6/2008
AS07108PO-3-R.idw		 pui audio a projects unlimited company		AS07108PO-3-R Speaker			Edition	Sheet
							-	1 / 1

Mouser Electronics

Authorized Distributor

Click to View Pricing, Inventory, Delivery & Lifecycle Information:

[PUI Audio:](#)

[AS07108PO-3-R](#)