

Panel mounting base - TU-00000004300 - 1605883

Please be informed that the data shown in this PDF Document is generated from our Online Catalog. Please find the complete data in the user's documentation. Our General Terms of Use for Downloads are valid (<http://phoenixcontact.com/download>)



Panel mounting base, straight, Bayonet locking, M23, Radial O-ring, 4xM3, shielded: yes



Key Commercial Data

Packing unit	20 STK
GTIN	 4 046356 255448
GTIN	4046356255448
Custom tariff number	85366990
Note	Made to Order (non-returnable)

Technical data

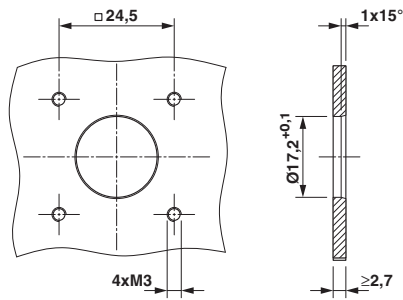
Environmental Product Compliance

China RoHS	Environmentally Friendly Use Period = 50
	For details about hazardous substances go to tab "Downloads", Category "Manufacturer's declaration"

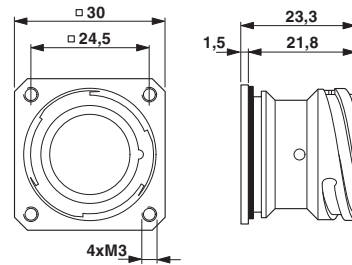
Drawings

Panel mounting base - TU-00000004300 - 1605883

Dimensional drawing



Dimensional drawing



Installation dimensions

Dimensional drawing

Approvals

Approvals

Approvals

EAC

Ex Approvals

Approval details

EAC B.01742

Mouser Electronics

Authorized Distributor

Click to View Pricing, Inventory, Delivery & Lifecycle Information:

[Phoenix Contact:](#)

[1605883](#)