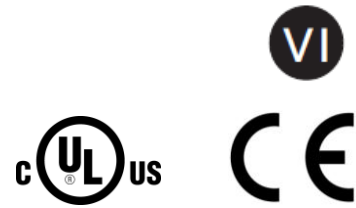




60 Watt Universal 2-Wire Input Adapter PSAC60W Power Adapter Meets Level VI Efficiency Requirements



Features

- Low Cost
- Efficiency Level VI Compliance
- Class B EMI
- Ecodesign ErP Directive 2009/125/EC Compliant
- Non-vented/Spill-proof Case
- No Load Power consumption <0.5W
- Low Profile Design
- EISA Compliant

Applications

- Portable Equipment
- Peripherals
- Networking
- Gaming Machines

Safety Approvals

- cUL/UL
- CE

Mechanical Characteristics

- Length: 130mm (5.12in)
- Width: 60mm (2.36in)
- Height: 32mm (1.30in)
- Weight: 305g (10.76oz)

Output Specifications

Model	DC Output Voltage	Load		Ripple ⁽¹⁾ P-P (max.)	Regulation Line & Load	Efficiency Level
		Min.	Max.			
PSAC60W-120	+12V	0A	5.0A	200mV	±5%	VI
PSAC60W-180	+18V	0A	3.33A	180mV	±5%	VI
PSAC60W-240	+24V	0A	2.5A	350mV	±5%	VI
PSAC60W-480	+48V	0A	1.25A	480mV	±5%	VI
PSAC60W-560	+56V	0A	1.08A	560mV	±5%	VI

(1) Measured with a 10uF capacitor and a 0.1uF capacitor at output connector terminal and oscilloscope set at 20MHz.

Phihong is not responsible for any error, and reserves the right to make changes without notice. Please visit our website at www.phihong.com for the most up-to-date specifications and contact information.

Input:

AC Input Voltage Rating

100 to 240V AC

AC Input Frequency

47 to 63Hz

Input Current

1.6A at 100V AC

0.7A at 240V AC

Leakage Current

0.25mA maximum at 254V AC and 60Hz

Inrush Current

90A maximum at 100V AC

150A maximum at 240V AC

Input Power Saving

<0.5W at no load

Output:

Output Power

60W

Efficiency

DOE Level VI

Environmental:

Temperature

Operation

0 to +40°C

Non-operation

-20 to +70°C

Humidity

5 to 90%

Emissions

FCC Class B

EN55022 Class B

Immunity

IEC61000-4-2

Level 4

IEC61000-4-5

Level 3

Over-Voltage Protection

Latch off

Over-Current Protection

Auto-restart

Short-Circuit Protection

Output can be shorted permanently without damage

Isolation

Primary to Secondary: 500V DC >7M OHM

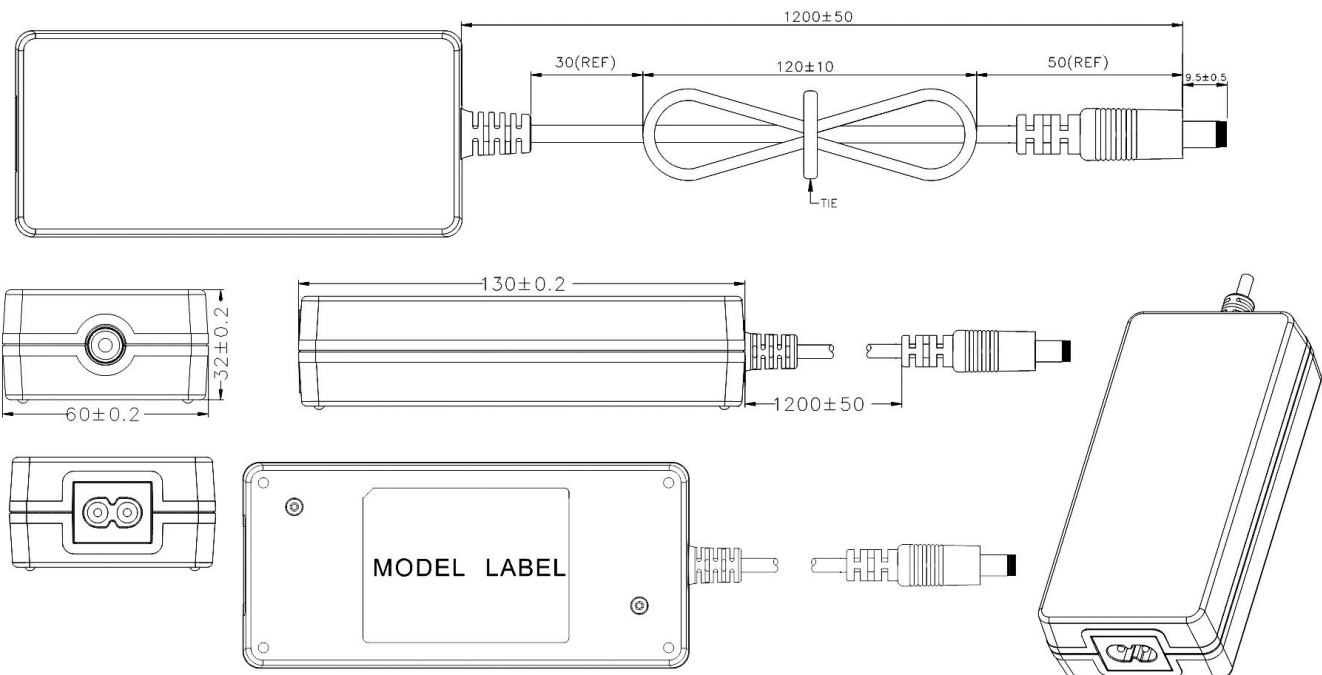
Dielectric Withstand (Hi-pot) Test

Primary to Secondary: 3000V AC for 1 min., 10mA

Dimension Diagram Unit: mm (inch)

DC Output Connector

2.1 x 5.5 x 9.5mm Center Positive Barrel



Mouser Electronics

Authorized Distributor

Click to View Pricing, Inventory, Delivery & Lifecycle Information:

[Phihong:](#)

[PSAC60W-120-R](#) [PSAC60W-240-R](#) [PSAC60W-480-R](#) [PSAC60W-560-R](#) [PSAC60W-180-R](#)