

3.3V, PCI Express® 3.0 2-Lane, 3:1 Mux/DeMux Switch, with Power Down Feature

Features

- 4 Differential Channel, 3:1 Mux/DeMux
- PCI Express® 3.0 Performance, 8.0Gbps
- Bi-directional operation
- -3dB Bandwidth: 8GHz
- Low Bit-to-Bit Skew, 10ps max
- Low Crosstalk: -40dB@4 GHz
- Low Insertion Loss: -2.1dB@4 GHz (8.0Gbps)
- Low Return Loss:-10dB@4GHz (8.0Gbps)
- Low Off Isolation:-19dB @4GHz (8Gbps)
- Power Down option
- Supply Voltage 3.3V
- Packaging (Pb-free & Green):
 - 42-contact, TQFN (ZH42)

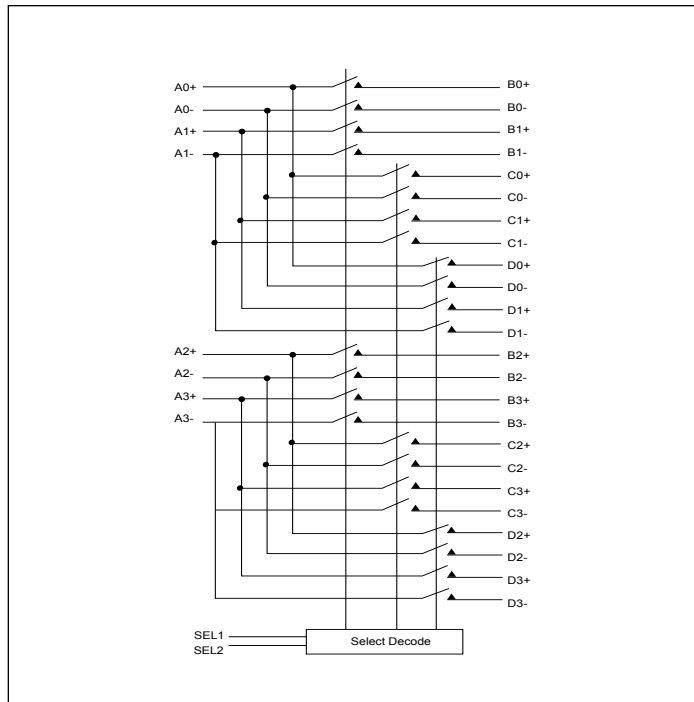
Description

Pericom Semiconductor’s PI3PCIE3413 is an 12 to 4 differential channel multiplexer/demultiplexer switch. This solution can switch 2 full PCI Express® 3.0, lanes to one of three locations. Using a unique design technique, Pericom has been able to minimize the impedance of the switch such that the attenuation observed through the switch is minimal. The unique design technique also offers a layout targeted for PCI Express signals, which minimizes the channel to channel skew as well as channel to channel crosstalk as required by the PCI Express specification.

Application

Routing of PCI Express 3.0, signals with low signal attenuation.

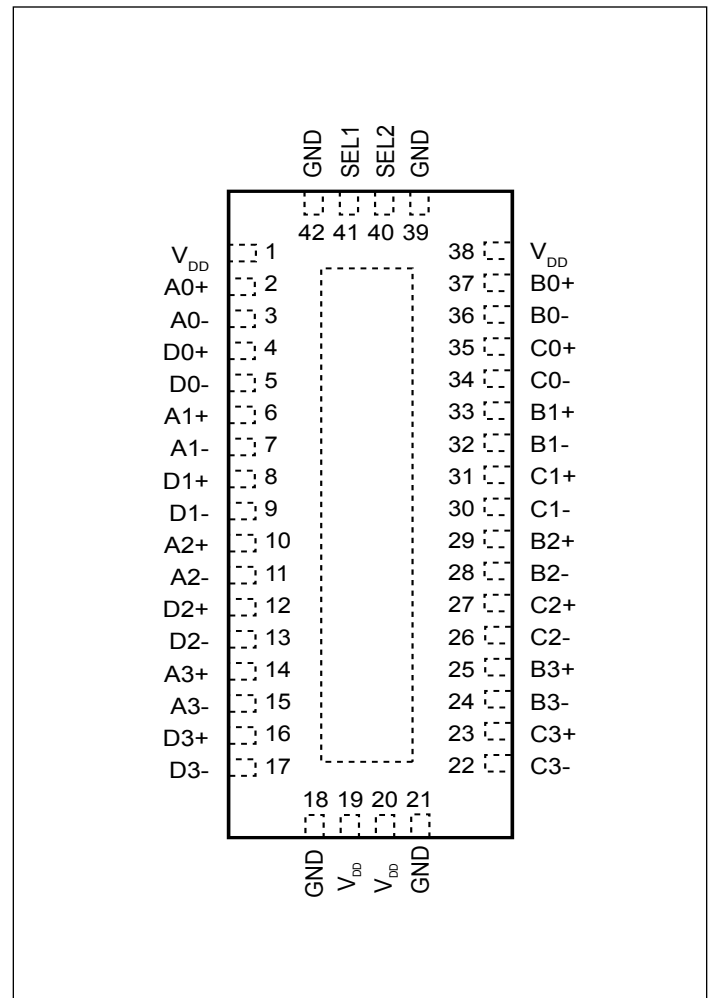
Block Diagram



Truth Table

SEL1	SEL2	Function
0	0	Power down all switch hi-z
0	1	A→B
1	0	A→C
1	1	A→D

Pin Description (Top-side view)



Pin Description

Pin #	Pin Name	I/O	Description
2 3	A0+ A0-	I/O	Signal I/O, Channel 0, Port A
6 7	A1+ A1-	I/O	Signal I/O, Channel 1, Port A
10 11	A2+ A2-	I/O	Signal I/O, Channel 2, Port A
14 15	A3+ A3-	I/O	Signal I/O, Channel 3, Port A
37 36	B0+ B0-	I/O	Signal I/O, Channel 0, Port B
33 32	B1+ B1-	I/O	Signal I/O, Channel 1, Port B
29 28	B2+ B2-	I/O	Signal I/O, Channel 2, Port B
25 24	B3+ B3-	I/O	Signal I/O, Channel 3, Port B
35 34	C0+ C0-	I/O	Signal I/O, Channel 0, Port C
31 30	C1+ C1-	I/O	Signal I/O, Channel 1, Port C
27 26	C2+ C2-	I/O	Signal I/O, Channel 2, Port C
23 22	C3+ C3-	I/O	Signal I/O, Channel 3, Port C
4 5	D0+ D0-	I/O	Signal I/O, Channel 0, Port D
8 9	D1+ D1-	I/O	Signal I/O, Channel 1, Port D
12 13	D2+ D2-	I/O	Signal I/O, Channel 2, Port D
16 17	D3+ D3-	I/O	Signal I/O, Channel 3, Port D
40, 41	SEL2, SEL1	I	Operation mode Select. Please see Truth Table on Page 1
1, 19, 20, 38	V _{DD}	Pwr	3.3V ±10% Positive Supply Voltage
18,21, 39, 42 Center Pad	GND	Pwr	Power ground

Maximum Ratings

(Above which useful life may be impaired. For user guidelines, not tested.)

Storage Temperature	-65°C to +150°C
Supply Voltage to Ground Potential	-0.5V to +4.6V
Channel DC Input Voltage	-0.5V to 1.5V
DC Output Current	120mA
Power Dissipation	0.5W
SEL DC Input Voltage	-0.5V to 4.6V

Note: Stresses greater than those listed under MAXIMUM RATINGS may cause permanent damage to the device. This is a stress rating only and functional operation of the device at these or any other conditions above those indicated in the operational sections of this specification is not implied. Exposure to absolute maximum rating conditions for extended periods may affect reliability.

Electrical Characteristics

Recommended Operating Conditions

Symbol	Parameter	Conditions	Min	Typ	Max	Units
V _{DD}	3.3V Power Supply		3.0	3.3	3.6	V
I _{DD}	Total current from V _{DD} 3.3V supply	SEL1,2 = 01, 10 or 11		0.15	1	mA
I _{DDQ}	Standby I _{DD}	SEL1,2 = 00		0.1		
T _{CASE}	Case temperature range for operation within spec.		-40		85	Celsius

DC Electrical Characteristics for Switching over Operating Range

Parameters	Description	Test Conditions ¹	Min	Typ ⁽¹⁾	Max	Units
V _{IH} - SEL	Input HIGH Voltage, SEL Input		2		3.6	V
V _{IL} - SEL	Input LOW Voltage, SEL Input		0		0.8	
V _{IK}	Clamp Diode Voltage	V _{DD} = Max., I _{IN} = -18mA		-0.7	-1.2	
I _{IH}	Input HIGH Current, SEL	V _{DD} = Max., V _{IN} = V _{DD}			±5	µA
I _{IL}	Input LOW Current, SEL	V _{DD} = Max., V _{IN} = 0V			±5	
I _{IH}	Input HIGH Current, A _X , B _X , C _X , D _X	V _{DD} = Max., V _{IN} = 1.5V	-10		+10	µA
I _{IL}	Input LOW Current, A _X , B _X , C _X , D _X	V _{DD} = Max., V _{IN} = 0V	-10		+10	
I _{IOZH}	HighZ HIGH Current, B _X , C _X , D _X	V _{DD} = Max., V _{IN} = 1.5V	-10		+10	µA
I _{IOZL}	HighZ LOW Current, B _X , C _X , D _X	V _{DD} = Max., V _{IN} = 0V	-10		+10	µA

Note:

1. Typical values are at V_{DD} = 3.3V, T_A = 25°C ambient and maximum loading.

Switching Characteristics

Parameters	Description	Test Conditions	Min.	Typ.	Max.	Units
t _{PZH} , t _{PZL}	Line Enable Time - SEL to A _N , B _N , C _N , D _N		0.5	41	55	ns
t _{PHZ} , t _{PLZ}	Line Disable Time - SEL to A _N , B _N , C _N , D _N		0.5	5	25	
t _{b-b}	Bit-to-bit skew within the same differential pair			5	10	ps

Notes:

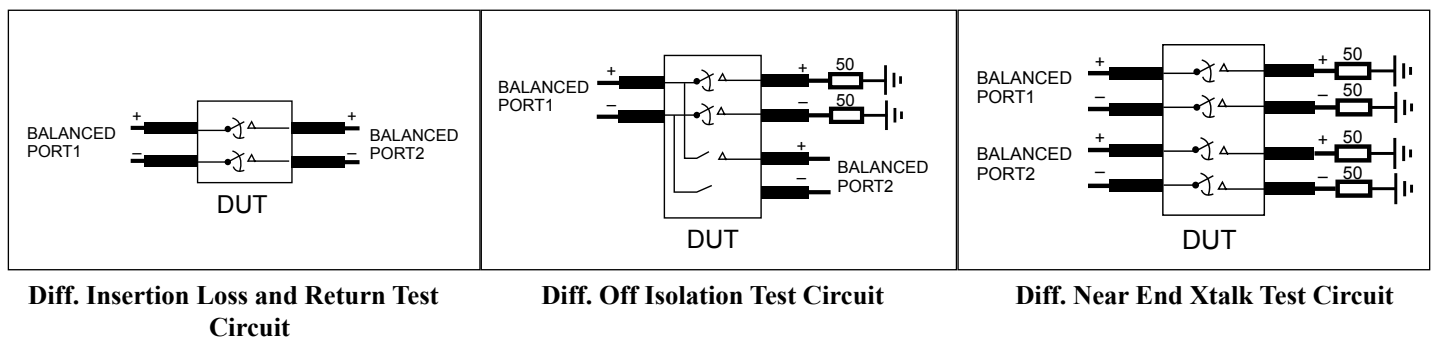
1. Guaranteed by design. Typical values are at V_{DD} = 3.3V, T_A = 25°C ambient and maximum loading.

Dynamic Electrical Characteristics

Parameter	Description	Test Conditions	Min.	Typ. ⁽¹⁾	Max.	Units
DDIL	Differential Insertion Loss ($V_{IN} = -10\text{dBm}$, $DC = 0V$)	$f = 50\text{MHz} - 1.25\text{GHz}$ $f = 1.25\text{GHz} - 2.5\text{GHz}$ $f = 2.5\text{GHz} - 4.0\text{GHz}$ $f = 5.0\text{GHz}$	-0.84 -1.44 -2.76 -3.24	-0.7 -1.2 -2.3 -2.7		dB
DDIL _{RL}	Differential Return Loss	$f = 50\text{MHz} - 1.25\text{GHz}$ $f = 1.25\text{GHz} - 2.5\text{GHz}$ $f = 2.5\text{GHz} - 4.0\text{GHz}$ $f = 5.0\text{GHz}$		-22.8 -35 -9.4 -7	-18.2 -28 -7.52 -5.6	dB
DDIL _{OFF}	Differential Off Isolation	$f = 50\text{MHz} - 1.25\text{GHz}$ $f = 1.25\text{GHz} - 2.5\text{GHz}$ $f = 2.5\text{GHz} - 4.0\text{GHz}$ $f = 5.0\text{GHz}$		-34.8 -25.2 -19.5 -18.5	-27.8 -20.2 -15.6 -14.8	dB
DDNEXT	Near End Crosstalk	$f = 50\text{MHz} - 1.25\text{GHz}$ $f = 1.25\text{GHz} - 2.5\text{GHz}$ $f = 2.5\text{GHz} - 4.0\text{GHz}$ $f = 5.0\text{GHz}$		-48.5 -43.4 -42.7 -42.7	-38.8 -34.7 -34.2 -34.2	dB
BW	-3dB Bandwidth			8.3		GHz

Notes:

1. Guaranteed by design. Typical values are at $V_{DD} = 3.3V$, $T_A = 25^\circ\text{C}$ ambient and maximum loading.

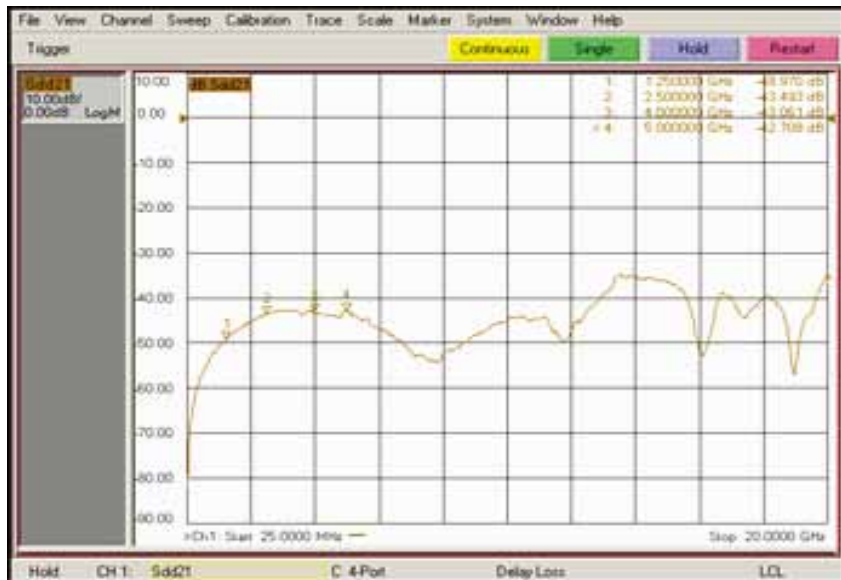


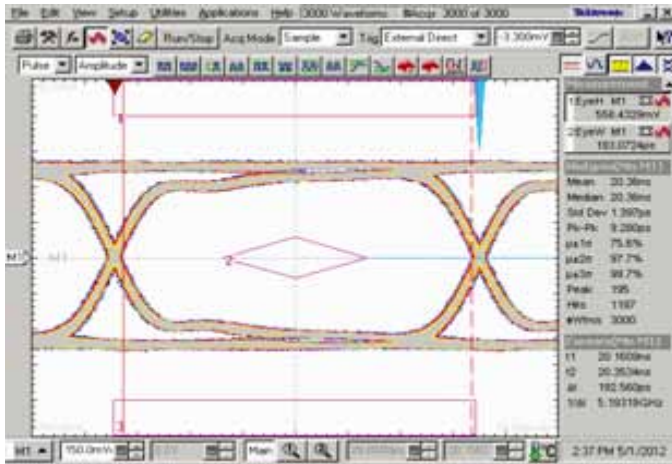


Differential Insertion Loss

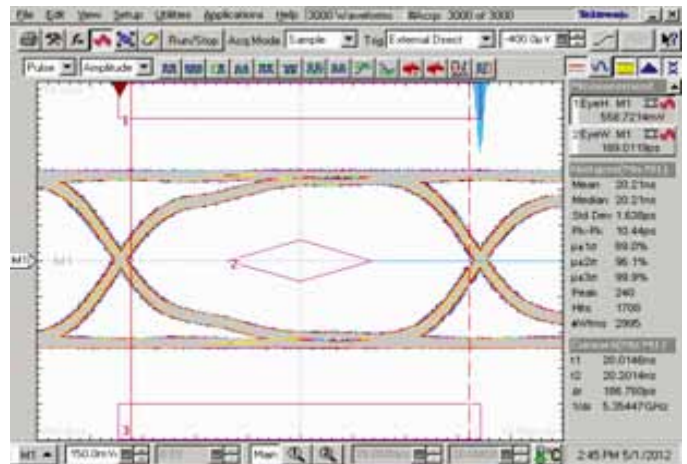


Differential Return Loss

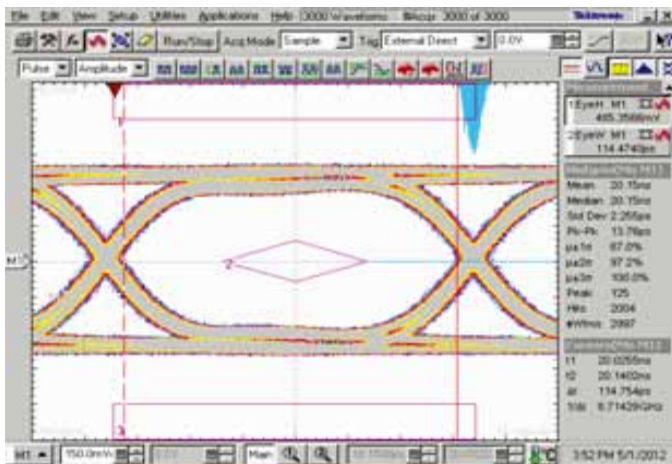

Differential Off Isolation

Differential Crosstalk



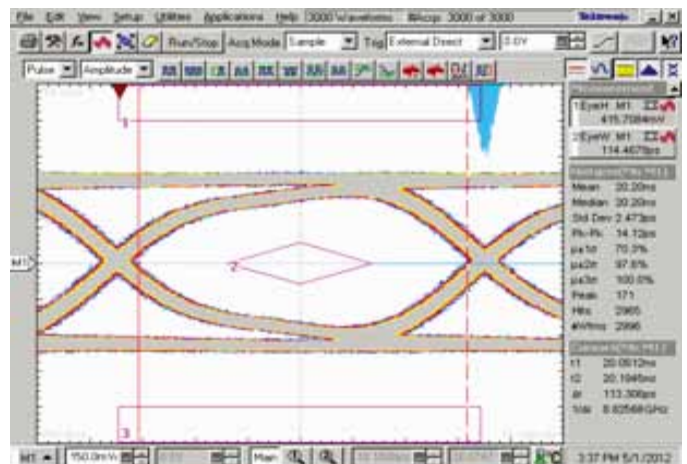
5.0 Gbps RX signal eye without PI3PCIE3413



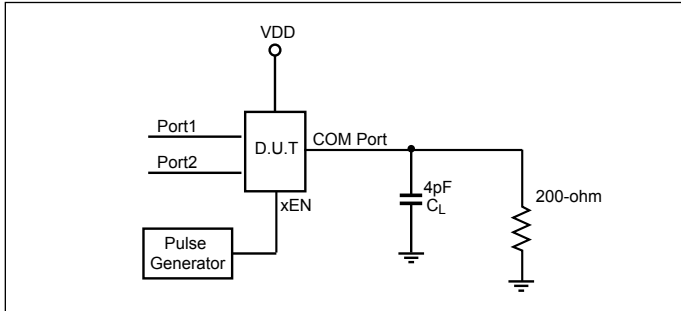
5.0 Gbps RX signal eye with PI3PCIE3413



8.0 Gbps RX signal eye without PI3PCIE3413



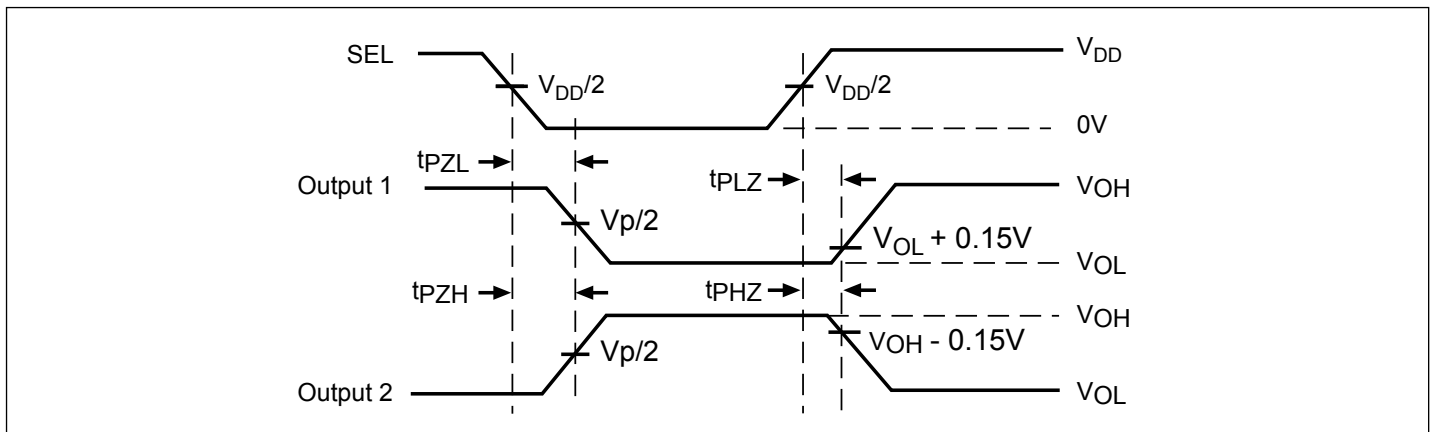
8.0 Gbps RX signal eye with PI3PCIE3413

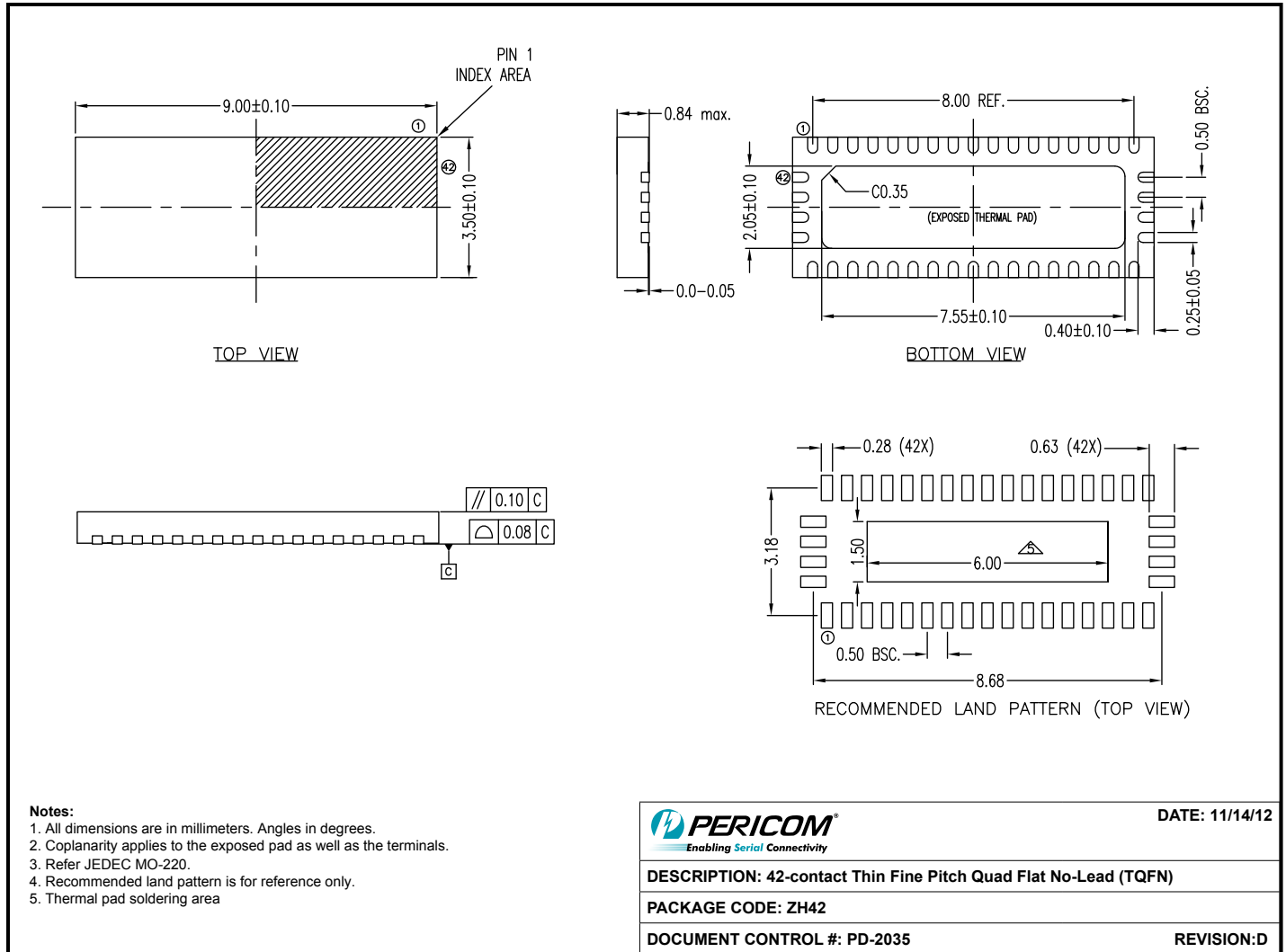
Test Circuit for Electrical Characteristics⁽¹⁻⁵⁾

Notes:

1. C_L = Load capacitance: includes jig and probe capacitance.
2. R_T = Termination resistance: should be equal to Z_{OUT} of the Pulse Generator
3. Output 1 is for an output with internal conditions such that the output is low except when disabled by the output control.
output 2 is for an output with internal conditions such that the output is high except when disabled by the output control.
4. All input impulses are supplied by generators having the following characteristics: $PRR \leq \text{MHz}$, $Z_O = 50\Omega$, $t_R \leq 2.5\text{ns}$, $t_F \leq 2.5\text{ns}$.
5. The outputs are measured one at a time with one transition per measurement.

Switch Positions

Test	Switch
t_{PLZ} , t_{PZL}	3.0V
t_{PHZ} , t_{PZH}	GND
Prop Delay	Open

Switching Waveforms

Voltage Waveforms Enable and Disable Times

Packaging Information: 42-contact (TQFN)


12-0529

Note:

- For latest package info, please check: <http://www.pericom.com/products/packaging/mechanicals.php>

Ordering Information

Ordering Code	Package Code	Package Description
PI3PCIE3413ZHE	ZH	42-contact, Thin Fine Pitch Quad Flat No-Lead (TQFN)

Notes:

- Thermal characteristics can be found on the company web site at www.pericom.com/packaging/
- "E" denotes Pb-free and Green
- Adding an "X" at the end of the ordering code denotes tape and reel packaging

Mouser Electronics

Authorized Distributor

Click to View Pricing, Inventory, Delivery & Lifecycle Information:

[Pericom:](#)

[PI3PCIE3413ZHE](#) [PI3PCIE3413ZHEX](#)