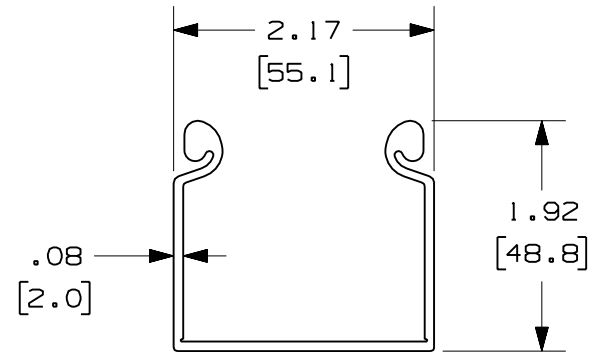
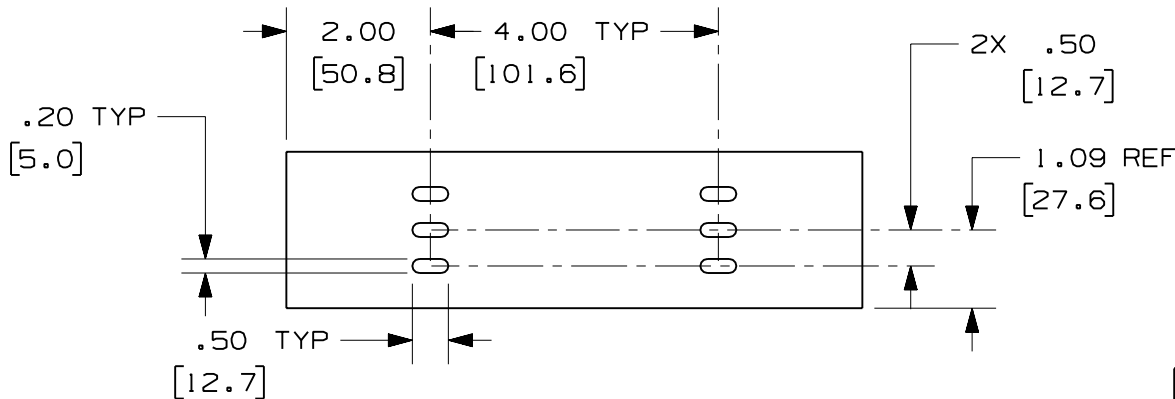
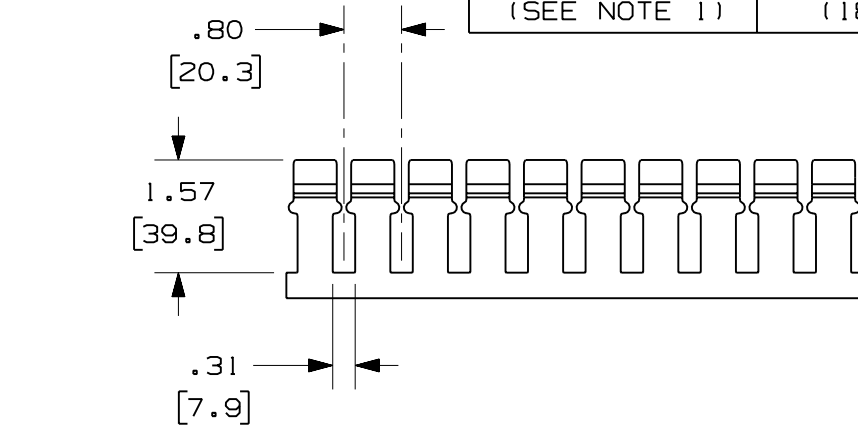


PANDUIT PART NUMBER	LENGTH	WEIGHT	WEIGHT/LENGTH
H2X2**2 (SEE NOTE 1)	78.74 IN ±.18 IN (2000.0mm ±4.6mm)	1.97 LB (894g)	0.30 LB/FT (4.5g/cm)
H2X2**6 (SEE NOTE 1)	72.00 IN ±.18 IN (1828.8mm ±4.6mm)	1.80 LB (816g)	0.30 LB/FT (4.5g/cm)

NOTES:

1. SEE CURRENT CATALOG FOR ADDITIONAL PART SUFFIXES TO INDICATE COLOR AND/OR PACKAGE QUANTITY.
2. DIMENSIONS IN PARENTHESES ARE IN METRIC.



ENG. REF.: D38258CJ_DC_H2X2_00.prt

CAD FILENAME/LAYERS		H2X2.pdf	
PANDUIT CORP TINLEY PARK, ILLINOIS			
FIBERRUNNER 2x2 HINGED SLOTTED CHANNEL (H2X2**2, H2X2**6)			
CUSTOMER DRAWING			
UNLESS OTHERWISE SPECIFIED, DIMENSIONAL TOLERANCES ARE:		UNLESS OTHERWISE SPECIFIED, ALL DIMENSIONS ARE GIVEN IN INCHES, THIRD ANGLE PROJECTION.	
(.X) ±	(.XXX) ±		
(.XX) ±.03 (0.8)	ANGLES ±		
DRAWN BY	MAT'L:	SCALE	
MSO	PVC	NONE	
DATE		DRAWING NO.	DWG
1-8-07		38258-25	A
CHK'D			SIZE
			A

REV	DATE	BY	CHK	DESCRIPTION	ECN	R	CUST	SUP	GMBH
R	1-8-07	MSO	RN	RELEASED TO PRODUCTION	38258-25	RN	RN		

Mouser Electronics

Authorized Distributor

Click to View Pricing, Inventory, Delivery & Lifecycle Information:

Panduit:

[H2X2OR6](#) [H2X2YL6](#)