

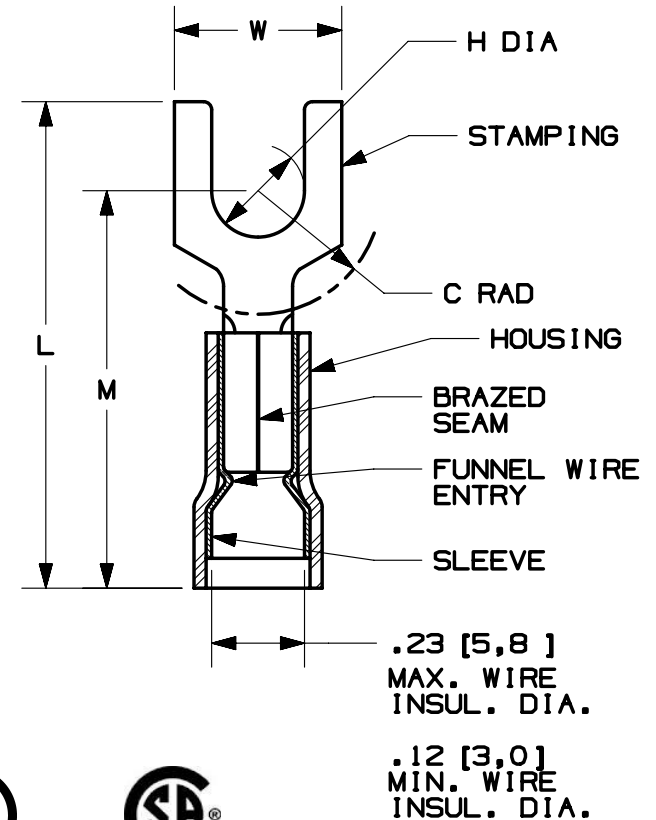
THIS COPY IS PROVIDED ON A RESTRICTED BASIS AND IS NOT TO BE USED IN ANY WAY DETRIMENTAL TO THE INTERESTS OF PANDUIT CORP.

PANDUIT PART #	STUD SIZE		DIMENSIONS in. [mm]				
	ENGLISH	METRIC	L ± .03 [0,76]	W ± .01 [0,25]	C ± .02 [0,51]	M ± .03 [0,76]	H ± .01 [0,25]
PNF10-6F	#6	M3,5	1.01 [25,65]	.31 [7,87]	.24 [6,10]	.80 [20,32]	.15 [3,81]
PNF10-8F	#8	M4	1.02 [25,91]	.37 [9,40]	.24 [6,10]	.80 [20,32]	.17 [4,32]
PNF10-10F	#10	--	1.04 [26,42]	.37 [9,40]	.24 [6,10]	.80 [20,32]	.21 [5,33]
PMNF6-5F*	--	M5	1.06 [26,90]	.37 [9,50]	.24 [6,19]	.84 [21,31]	.21 [5,33]
PNF10-14F	1/4"	M6	1.15 [29,21]	.50 [12,7]	.31 [7,87]	.90 [22,86]	.27 [6,86]

\* NOT UL LISTED OR CSA CERTIFIED

NOTES:

- USED FOR:
  - 12-10 AWG [4,0-6,0 mm<sup>2</sup>] STRANDED COPPER WIRE
  - 221°F [105°C] MAX. OPERATING TEMPERATURE
  - 600V. MAX. BLDG WIRE (1000 V. MAX. IN SIGNS, FIXTURES & LUMINAIRES)
- INSTALLATION TOOLS:
  - UL APPROVED: CT-600-A (CT-550CH)  
CT-1550, CT-1551, CT-2500 (CT-2550CH)
  - PANDUIT APPROVED: CT-100A, CT-160, CT-260, CT-460
- WIRE STRIP LENGTH: 9/32 <sup>+1/32</sup> [7,1 <sup>+0,8</sup>]
- MATERIAL:
  - STAMPING: .04" [1,0] THK COPPER, TIN PLATED
  - HOUSING: VINYL, YELLOW
  - SLEEVE: BRASS, TIN PLATED
- SEE [www.panduit.com](http://www.panduit.com) FOR PACKAGE QUANTITIES INDICATED BY PART NUMBER SUFFIX
- DIMENSIONS IN BRACKETS ARE METRIC EQUIVALENT



LISTED  
587H  
E52164



CERTIFIED  
LR31212

REV	DATE	BY	CHK	APR	DESCRIPTION	ECN
09	11.26.13	JHNU	TMR	RGB	INDICATED PART NUMBERS WHICH ARE NOT UL LISTED/CSA CERTIFIED	A41262
08	06.08.12	BDK	LCA	VMB	ADDED PMNF6-5F TO CHART. REVISED NOTES. REVISED GEOMETRY. UPDATED TO CURRENT STANDARD.	A41262

TITLE <b>FORK TERMINALS, NYLON FUNNEL ENTRY, #12-10</b>	
CUSTOMER DRAWING	
ITEM REVISION NAME	N41262BA/09
DATASET FILE NAME	N41262BA-DC/09A
UNLESS OTHERWISE SPECIFIED, DIMENSIONAL TOLERANCES ARE: IN (mm)	
.x ± .1 [2,54]	.xxx ± .005 [0,127]
.xx ± .01 [0,25]	ANGLES ± 5°
THIRD ANGLE PROJECTION	
DRAWING NUMBER: <b>A41262</b>	
DRAWN BY DAW	DATE -
CHK LCA	SCALE N.T.S.
SHEET 1 OF 1	
SIZE <b>A</b>	

D101000A/12

# Mouser Electronics

Authorized Distributor

Click to View Pricing, Inventory, Delivery & Lifecycle Information:

Panduit:

[PNF10-6F-L](#) [PNF10-14F-L](#) [PNF10-10F-L](#) [PNF10-8F-L](#) [PNF10-6F-D](#) [PNF10-8F-D](#) [PNF10-10F-D](#)