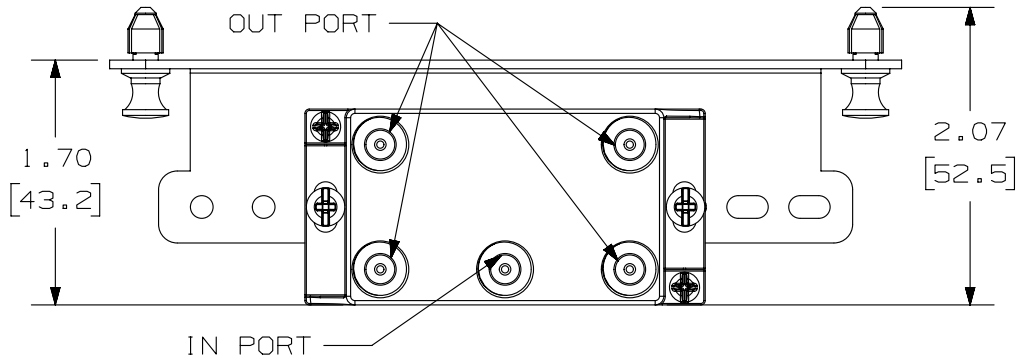


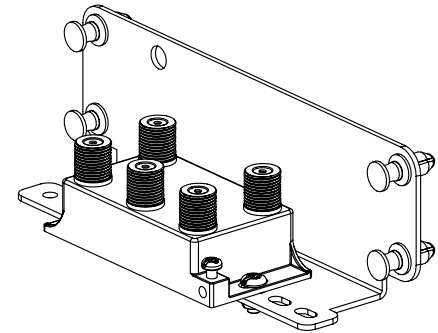
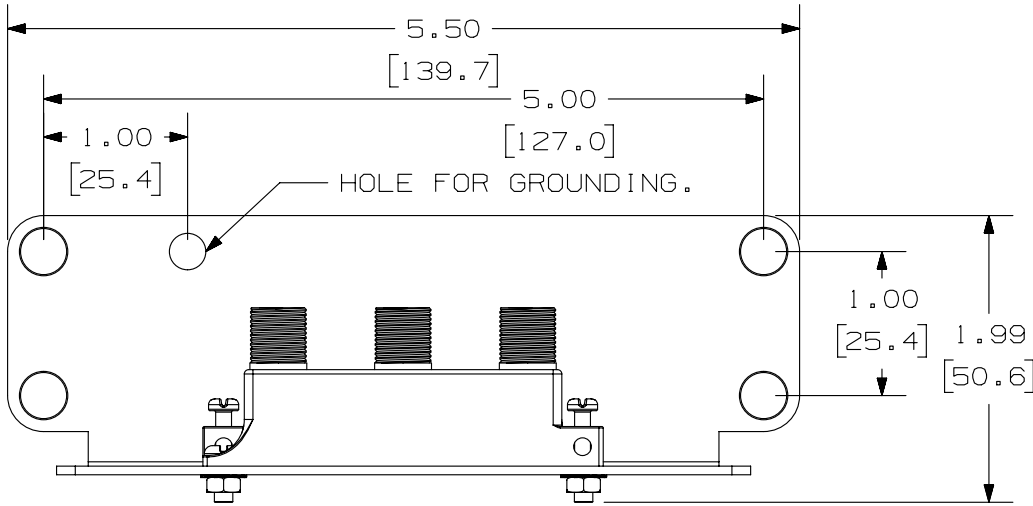
THIS COPY IS PROVIDED ON A RESTRICTED BASIS AND IS NOT TO BE USED IN ANY WAY DETRIMENTAL TO THE INTERESTS OF PANDUIT CORP.



PANDUIT P/N	WEIGHT
MS4S2G	.43 LB/EACH PC (193.6 g/EACH PC)

NOTES:

- SEE CURRENT CATALOG FOR ADDITIONAL PART NUMBER SUFFIXES TO INDICATE COLOR AND OR PACKAGE QUANTITY.
- SEE CATALOG FOR COMPLETE LIST OF PARTS APPLICABLE FOR USE WITH THIS PART.
- DIMENSIONS IN [ ] ARE IN METRIC.
- PART INCLUDES:  
1- 1X4 PASSIVE SATELLITE SPLITTER MODULE  
1- GROUNDING SCREW



PART NUMBER		MS4S2G	
TITLE			
MEDIA DISTRIBUTION 1X4 PASSIVE SATELLITE VIDEO		SPLITTER	
CUSTOMER DRAWING			
ITEM REVISION NAME		M03105AD/00	
DATASET FILE NAME		M03105AD_DC04/00B	
UNLESS OTHERWISE SPECIFIED, DIMENSIONAL TOLERANCES ARE: IN [ mm ]		MATERIAL:	
.x ± .xxx ± .010 [ .3 ]		BRACKET - 16 GAGE C.R.S.	
.xx ± .03 [ .8 ]		VIDEO SPLITTER - ZINC PLATED	
ANGLES ±		STEEL	
THIRD ANGLE PROJECTION		DRAWING NUMBER:	
03105-04		03105-04	
DRAWN BY	DATE	CHK	SCALE
JSP	10-14-08	REFR	NONE
SHT 1 OF 1		SIZE	
A		A	

REV	DATE	BY	CHK	APR	DESCRIPTION	ECN
1	5-02-14	MDJR	REFR	MMR	A. UPDATED TITLE BLOCK.	03105-04
R	10-14-08	JSP	REFR	REFR	RELEASED TO PRODUCTION	03105-04

D10100DA/14

2

1

2

1

# Mouser Electronics

Authorized Distributor

Click to View Pricing, Inventory, Delivery & Lifecycle Information:

[Panduit:](#)

[MS4S2G](#)