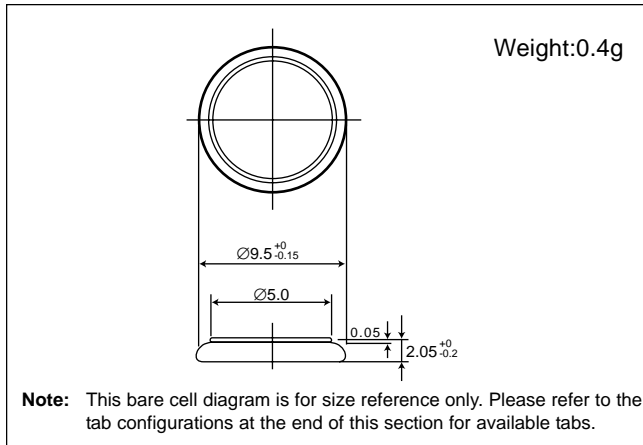


Manganese Lithium Coin Batteries (ML series): Individual Specifications

ML920

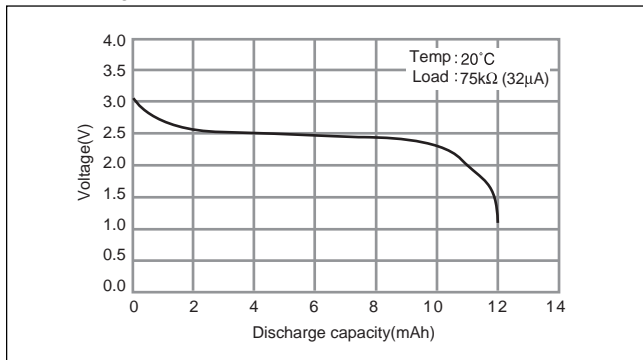
□ Dimensions(mm)



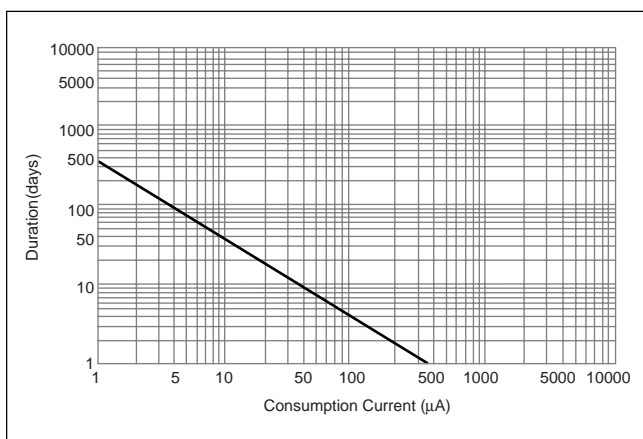
□ Specification

Nominal voltage (V)	3
Nominal capacity (mAh)	11.0
Continuous standard load (mA)	0.03
Operating temperature (C)	-20 ~ +60

□ Discharge characteristics

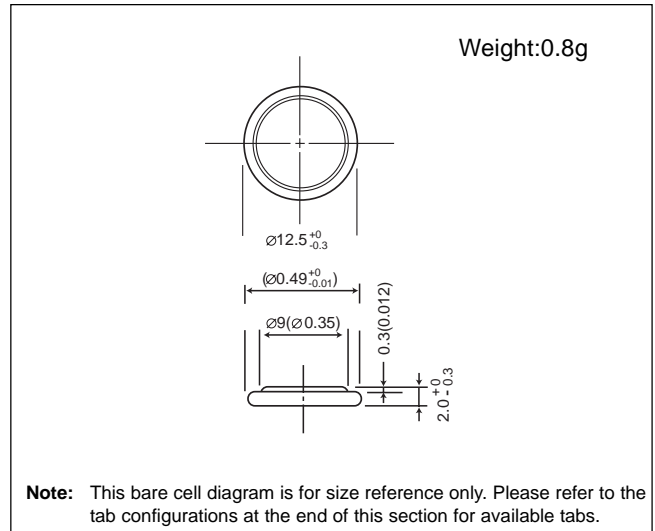


□ Consumption current vs. Duration time



ML1220

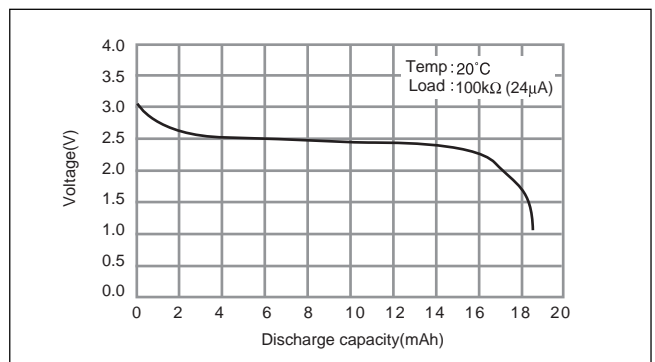
□ Dimensions(mm)



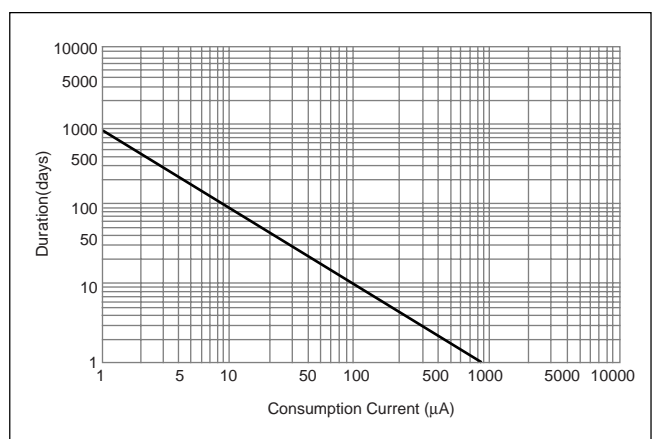
□ Specification

Nominal voltage (V)	3
Nominal capacity (mAh)	17.0
Continuous standard load (mA)	0.03
Operating temperature (C)	-20 ~ +60

□ Discharge characteristics



□ Consumption current vs. Duration time



Mouser Electronics

Authorized Distributor

Click to View Pricing, Inventory, Delivery & Lifecycle Information:

[Panasonic:](#)

[ML-1220/F1BN](#) [ML-1220/BN](#) [ML-1220/H1AN](#)