



## OD5010 Series

DC Fan - 5V, 12V, 24V  
50 x 10mm (1.97 x .39in)



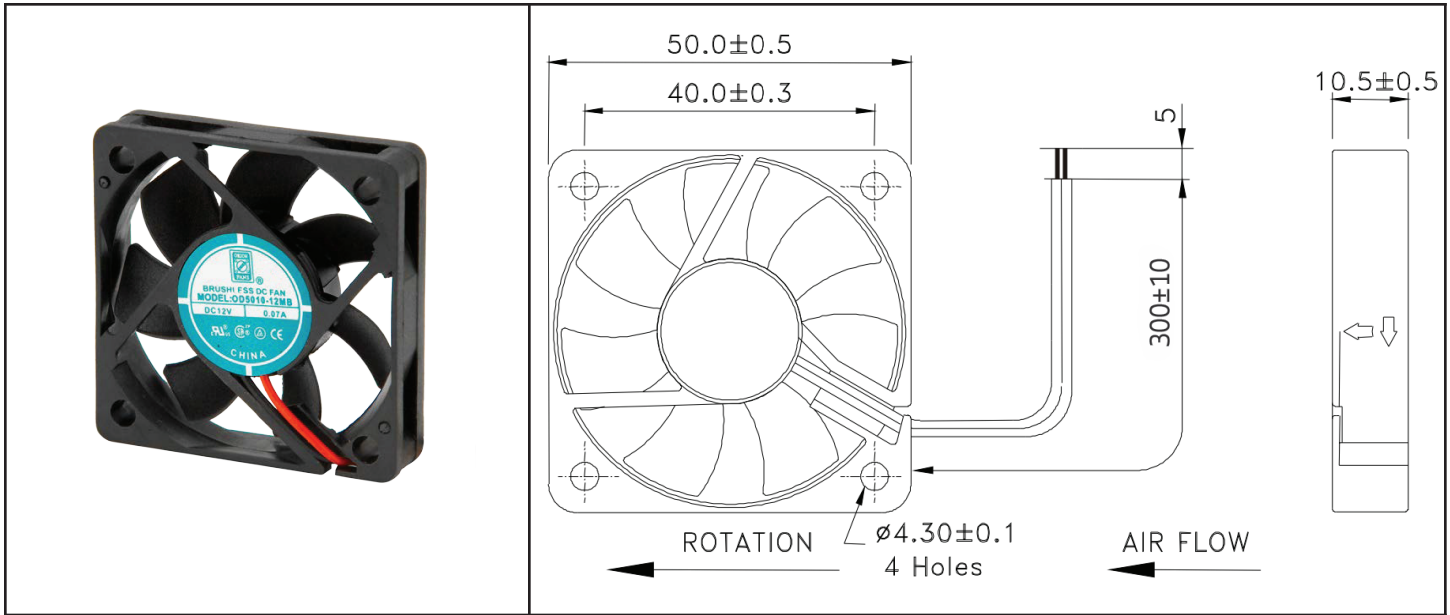
| Model #        | Pg # | Voltage | RPM  | CFM | Noise Level | Max Static Pressure  |
|----------------|------|---------|------|-----|-------------|----------------------|
| OD5010-05H     | 2    | 5 VDC   | 5200 | 11  | 28 dB       | .12 H <sub>2</sub> O |
| OD5010-05M     | 2    | 5 VDC   | 4600 | 10  | 25 dB       | .10 H <sub>2</sub> O |
| OD5010-05L     | 2    | 5 VDC   | 3900 | 9   | 20 dB       | .06 H <sub>2</sub> O |
| OD5010-12H     | 2    | 12 VDC  | 5200 | 11  | 28 dB       | .12 H <sub>2</sub> O |
| OD5010-12M     | 2    | 12 VDC  | 4600 | 10  | 25 dB       | .10 H <sub>2</sub> O |
| OD5010-12L     | 2    | 12 VDC  | 3900 | 9   | 20 dB       | .06 H <sub>2</sub> O |
| OD5010-24H     | 2    | 24 VDC  | 5200 | 11  | 28 dB       | .12 H <sub>2</sub> O |
| OD5010-24M     | 2    | 24 VDC  | 4600 | 10  | 25 dB       | .10 H <sub>2</sub> O |
| OD5010-24L     | 2    | 24 VDC  | 3900 | 9   | 20 dB       | .06 H <sub>2</sub> O |
| OD5010-05MB02A | 3    | 5 VDC   | 4600 | 10  | 25 dB       | .10 H <sub>2</sub> O |
| OD5010-12MB02A | 4    | 12 VDC  | 4600 | 10  | 25 dB       | .10 H <sub>2</sub> O |

\*\* For some models and part numbers, minimum order quantities may apply.

# OD5010 Series



DC Fan - 5, 12, 24V  
50x10mm (1.97"x 0.39")



|                       |  |  |  |
|-----------------------|--|--|--|
| Frame & Impeller      | PBT, UL94V-O plastic                               | <b>Available Options:</b><br><br>Tachometer<br><br>Alarm<br><br><u>Life Expectancy (L10)</u><br>60,000 hrs Ball<br>50,000 hrs Sealed Sleeve<br>30,000 hrs Sleeve<br><br><u>Operating Temperature</u><br>-10C ~ 70C |  |
| Connection            | 2x Lead wires (~290mm)<br>26AWG                    |  |  |
| Motor                 | Brushless DC, auto restart,<br>polarity protected  |  |  |
| Bearing System        | Dual Ball, sleeve, or sealed<br>sleeve             |  |  |
| Insulation Resistance | 10M ohm between leadwire<br>and frame (500VDC)     |  |  |
| Dielectric Strength   | 1 second at 500 VAC, max<br>leakage < 500 MicroAmp |  |  |

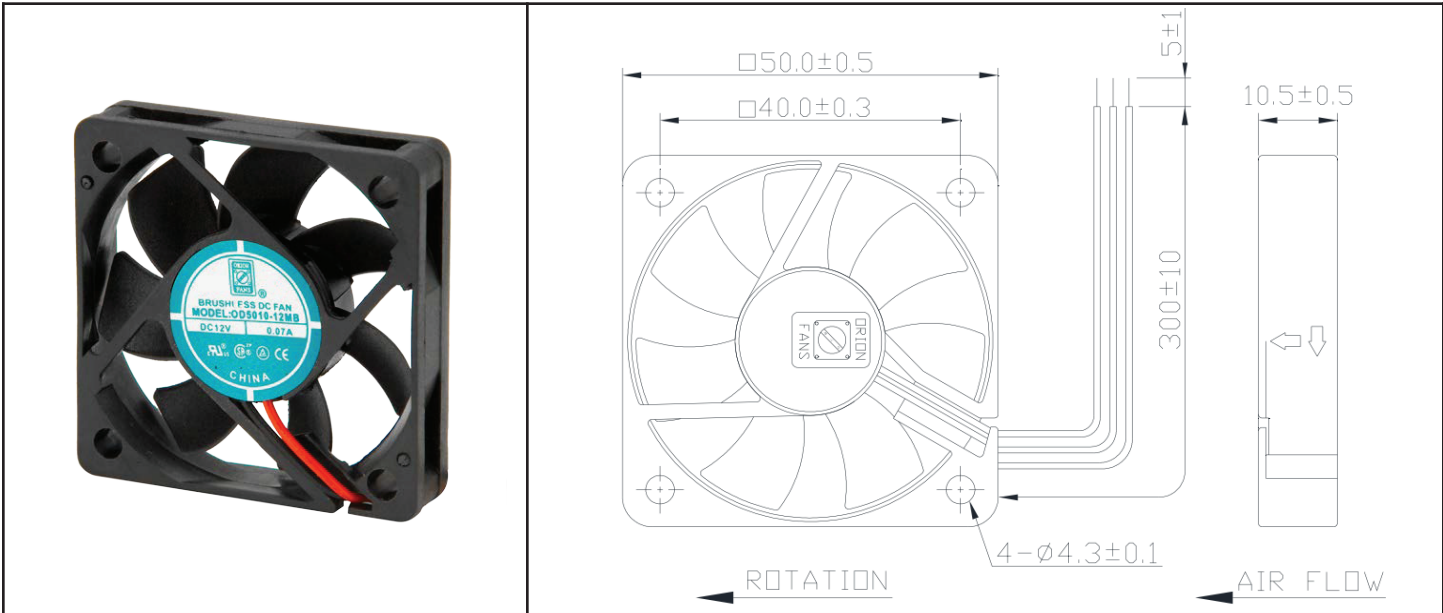
| Model Number | Speed (RPM) | Airflow (CFM) | Noise (dB) | Volts DC | Input Power (Watts) | Amps | Max. Static Pressure ("H2O) |
|--------------|-------------|---------------|------------|----------|---------------------|------|-----------------------------|
| OD5010-05H * | 5200        | 11            | 28         | 5        | 1.15                | 0.23 | 0.12                        |
| OD5010-05M * | 4600        | 10            | 25         | 5        | 0.75                | 0.15 | 0.10                        |
| OD5010-05L * | 3900        | 9             | 20         | 5        | 0.45                | 0.10 | 0.06                        |
| OD5010-12H * | 5200        | 11            | 28         | 12       | 1.44                | 0.12 | 0.12                        |
| OD5010-12M * | 4600        | 10            | 25         | 12       | 1.08                | 0.09 | 0.10                        |
| OD5010-12L * | 3900        | 9             | 20         | 12       | 0.96                | 0.08 | 0.06                        |
| OD5010-24H * | 5200        | 11            | 28         | 24       | 1.92                | 0.08 | 0.12                        |
| OD5010-24M * | 4600        | 10            | 25         | 24       | 1.44                | 0.06 | 0.10                        |
| OD5010-24L * | 3900        | 9             | 20         | 24       | 1.20                | 0.05 | 0.06                        |

\* Indicate "B" for ball bearing, "S" for sleeve bearing, or "SS" for sealed sleeve

# OD5010-05MB02A



DC Fan, 5VDC  
50x10mm (1.97x.39in)

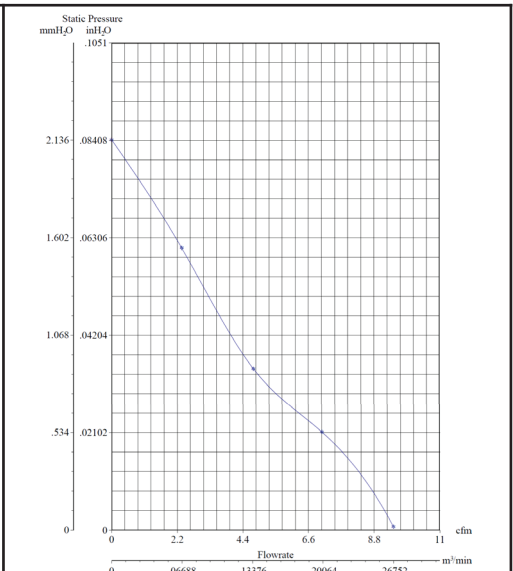


|                       |   |
|-----------------------|---|
| Frame & Impeller      | PBT, UL94V-0 plastic                            |
| Connection            | 3x Lead wires *                                 |
| Motor                 | Brushless DC, auto restart, polarity protected. |
| Bearing System        | Dual ball bearing                               |
| Insulation Resistance | Min. 10M at 500VDC                              |
| Dielectric Strength   | 1 second at 500VAC max leakage 500 microamp     |
| Temperature Range     | -10C ~ 70C                                      |
| Storage Temperature   | -40C ~ +80C                                     |
| Life (L10)            | 60,000 hours (40C)                              |

**Available Options**  
 IP55  
 Other speeds and voltages  
 Tachometer

\*Connection:  
 Wire Leads - UL1007  
 26AWG Red(+), Black (-), Yellow Alarm

Weight: 18 g



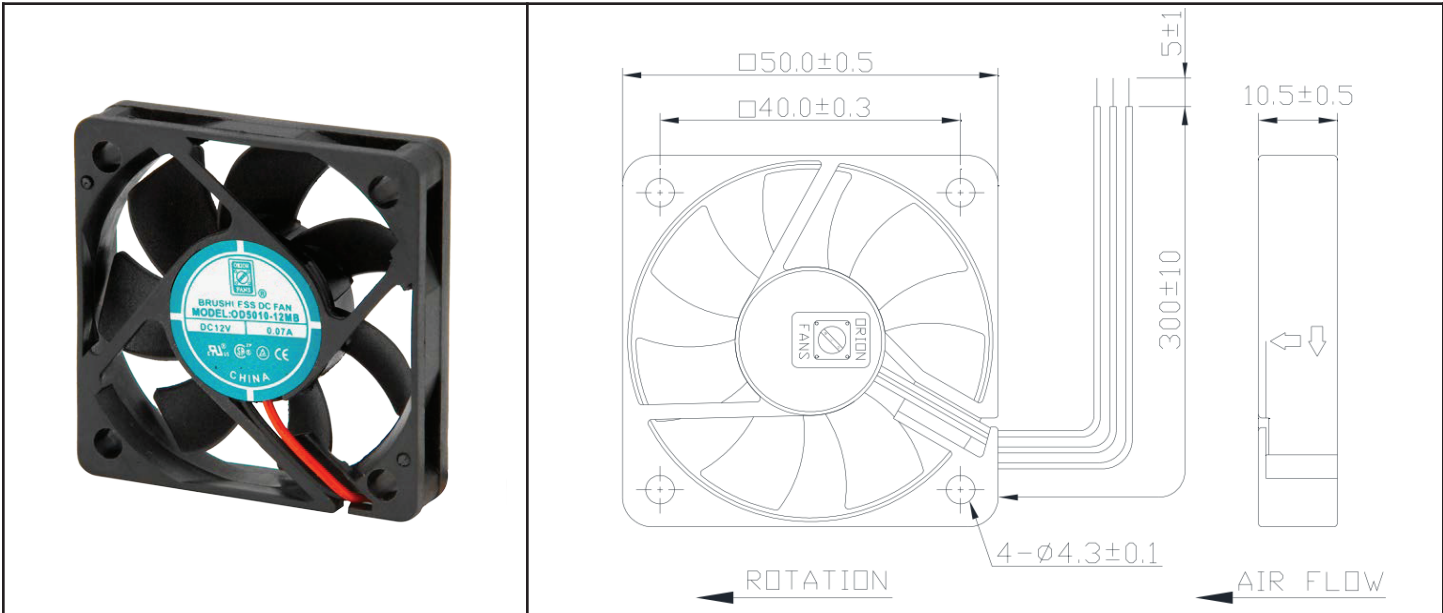
|                      |                       |  |  |
|----------------------|-----------------------|--|--|
| Model Number         | OD5010-05MB02A        | Output of locked signal                          | Open collector type                                      |
| Part Number          | 150531231             | *Output type                                     | Open collector type                                      |
| Nominal Voltage      | 5 VDC                 | *Electrical design suggestion:                   | (External signal function design is decided by customer) |
| Voltage Range        | 4 ~ 5.5 VDC           |  |  |
| Nominal Current      | .15 A                 |  |  |
| Rated Power          | .75 Watts             | *Transistor Q1 at "ON" position                  | Collector current.....I <sub>c</sub> =10mA Max           |
| Rated Speed (RPM)    | 4600                  | Saturation Voltage.....V <sub>ce</sub> =1.0V Max | (Between Collector and Emitter at I <sub>c</sub> =10mA)  |
| Airflow (CFM)        | 10                    | *Transistor Q1 at "OFF" position                 | Release Voltage.....V <sub>ce</sub> =5.5V Max            |
| Noise Level (dB)     | 25                    |  |  |
| Max. Static Pressure | .10 "H <sub>2</sub> O | *Output waveform                                 |  |
|                      |                       |  |  |



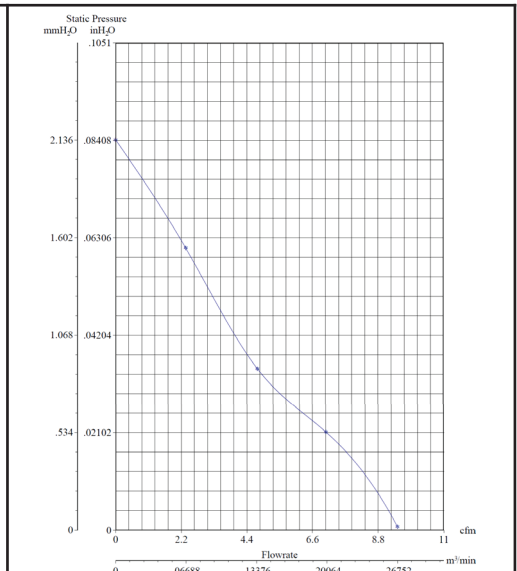
# OD5010-12MB02A



DC Fan, 12VDC  
50x10mm (1.97x.39in)



|                       |   |  |
|-----------------------|---|--|
| Frame & Impeller      | PBT, UL94V-0 plastic                            | <b>Available Options</b><br>IP55<br>Other speeds and voltages<br>Tachometer<br><br>*Connection:<br>Wire Leads - UL1007<br>26AWG Red(+), Black (-),<br>Yellow Alarm<br><br>Weight: 18 g |
| Connection            | 3x Lead wires *                                 |  |
| Motor                 | Brushless DC, auto restart, polarity protected. |  |
| Bearing System        | Dual ball bearing                               |  |
| Insulation Resistance | Min. 10M at 500VDC                              |  |
| Dielectric Strength   | 1 second at 500VAC max leakage 500 microamp     |  |
| Temperature Range     | -10C ~ 70C                                      |  |
| Storage Temperature   | -40C ~ +80C                                     |  |
| Life (L10)            | 60,000 hours (40C)                              |  |



|                      |                       |
|----------------------|-----------------------|
| Model Number         | OD5010-12MB02A        |
| Part Number          | 150131231             |
| Nominal Voltage      | 12 VDC                |
| Voltage Range        | 9 ~ 13.2 VDC          |
| Nominal Current      | .09 A                 |
| Rated Power          | 1.08 Watts            |
| Rated Speed (RPM)    | 4600                  |
| Airflow (CFM)        | 10                    |
| Noise Level (dB)     | 25                    |
| Max. Static Pressure | .10 "H <sub>2</sub> O |

Output of locked signal  
 \*Output type.....Open collector type  
 \*Electrical design suggestion:  
 (External signal function design is decided by customer)

\*Transistor Q1 at "ON" position  
 Collector current.....I<sub>c</sub>=5mA Max  
 Saturation Voltage.....V<sub>ce</sub>=1.0V Max  
 (Between Collector and Emitter at I<sub>c</sub>=5mA)  
 \*Transistor Q1 at "OFF" position  
 Release Voltage.....V<sub>ce</sub>=15V Max

\*Output waveform

# Mouser Electronics

Authorized Distributor

Click to View Pricing, Inventory, Delivery & Lifecycle Information:

## Orion Fans:

[OD5010-12HB](#) [OD5010-05MB](#) [OD5010-12MB](#) [OD5010-05MB02A](#) [OD5010-05LB](#) [OD5010-12MB02A](#) [OD5010-12LB](#) [OD5010-24HB](#) [OD5010-05HB](#) [OD5010-05HSS](#) [OD5010-05LSS](#) [OD5010-05MSS](#) [OD5010-12HSS](#) [OD5010-12LSS](#) [OD5010-12MSS](#) [OD5010-24HSS](#) [OD5010-24LB](#) [OD5010-24LSS](#) [OD5010-24MB](#) [OD5010-24MSS](#)