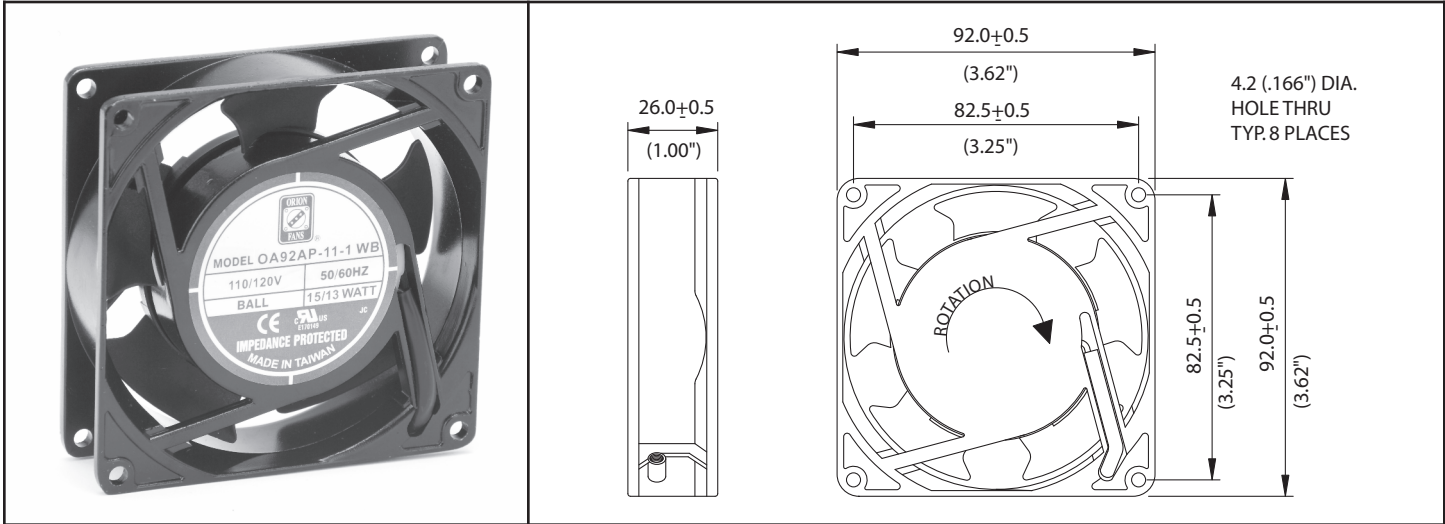


OA92 Series



AC Fan - 115V, 230V 92 x 25mm (3.62" x 1.0")



| | | | |
|------------------------------|--|--|--|
| Frame | Diecast Aluminum | Operating Temperature Ball Bearing -20C ~ +80C Sleeve Bearing -10C ~ +50C Storage Temp -40C ~ +80C Life Expectancy Ball Bearing 60,000 hours (L10 at 40C) Sleeve Bearing 30,000 hours (L10 at 40C) Weight: ~ 0.64 lbs. m0 | |
| Impeller | PBT, UL94V-0 plastic | | |
| Connection | 2x Lead Wires 22 AWG (~300mm) or terminals | | |
| Motor | Shaded pole, impedance protected | | |
| Bearing System | Dual ball or Sleeve | | |
| Insulation Resistance | >100M ohm between lead-wire and frame (500VDC) | | |
| Dielectric Strength | 1 min at 1500 VAC, 50/60Hz | | |

| Model Number | Speed (RPM) | Airflow (CFM) | Noise (dB) | Volts AC | Voltage Range | Watts | Max. Static Pressure ("H ₂ O) |
|---------------|-------------|---------------|------------|----------|---------------|-------|--|
| OA92AP-11-1 * | 3000 | 35 | 30 | 115 | 80~130 | 13 | .20 |
| OA92AP-11-2 * | 2300 | 27 | 22 | 115 | 80~130 | 10 | .14 |
| OA92AP-11-3 * | 1900 | 22 | 19 | 115 | 80~130 | 6 | .09 |
| OA92AP-22-1 * | 3000 | 35 | 30 | 230 | 160~260 | 13 | .20 |
| OA92AP-22-2 * | 2300 | 27 | 22 | 230 | 160~260 | 10 | .14 |
| OA92AP-22-3 * | 1900 | 22 | 19 | 230 | 160~260 | 6 | .09 |

* Indicate "TB" (Terminal Ball Bearing), "WB" (12" Wire Leads, Ball Bearing), "TS" (Terminal, Sleeve Bearing), "WS" (12" Wire Leads, Sleeve Bearing)

Mouser Electronics

Authorized Distributor

Click to View Pricing, Inventory, Delivery & Lifecycle Information:

Orion Fans:

[OA92AP-11-2WB](#) [OA92AP-11-2TB](#) [OA92AP-22-3WB](#) [OA92AP-11-1WB](#) [OA92AP-11-3WB](#) [OA92AP-11-3TB](#)
[OA92AP-22-3TB](#) [OA92AP-11-1TB](#) [OA92AP-22-2TB](#) [OA92AP-22-2WB](#) [OA92AP-22-1TB](#) [OA92AP-22-1WB](#) [OA92AP-1/2-1WB](#) [OA92AP-1/2-3WB](#) [OA92AP-1/2-2WB](#)