

# Em104P-i2904



## Intel® Atom™ N455 or D525 PC/104-Plus CPU Module



### Features

- **Fanless Design**
- Soldered Onboard Intel® Atom™ N455 Processor
- Dual Gigabit Ethernet Ports
- 18-bit LVDS and Analog RGB
- **Extended Operating Temp.: -20 ~ 70°C**

### System

<b>CPU</b>	Soldered onboard Intel® Atom™ N455 1.6GHz/ D525 1.86GHz processor
<b>Memory</b>	Soldered onboard 1GB DDR3 SDRAM
<b>Chipset</b>	Intel® ICH8M
<b>BIOS</b>	AMI PnP Flash BIOS
<b>Watchdog Timer</b>	1 ~ 255 levels reset

### I/O

<b>I/O Chipset</b>	Fintek F71869
<b>Serial Port</b>	2 x RS-232 ports (TX/RX only)
<b>USB Port</b>	2 x USB 2.0 ports
<b>KB/MS</b>	6-pin wafer connector for keyboard and mouse (PS/2 standard via Y-cable)
<b>Expansion Bus</b>	PC/104-Plus interface
<b>Storage</b>	1 x Serial ATA port with 300MB/s HDD transfer rate 1 x CompactFlash Type II socket
<b>Ethernet Chipset</b>	2 x Intel® 82583V PCIe GbE controllers

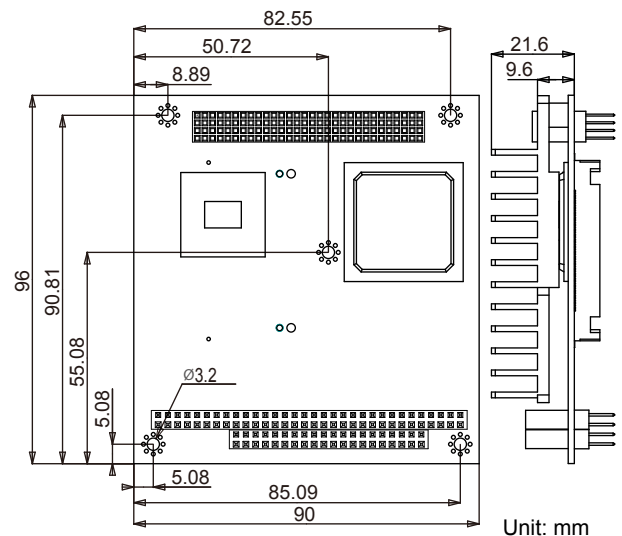
### Display

<b>Graphics Chipset</b>	Integrated Intel® Graphics Media Accelerator 3150
<b>Graphics Interface</b>	Analog RGB supports resolution up to 2048 x 1536 LCD: Single channel 18-bit LVDS

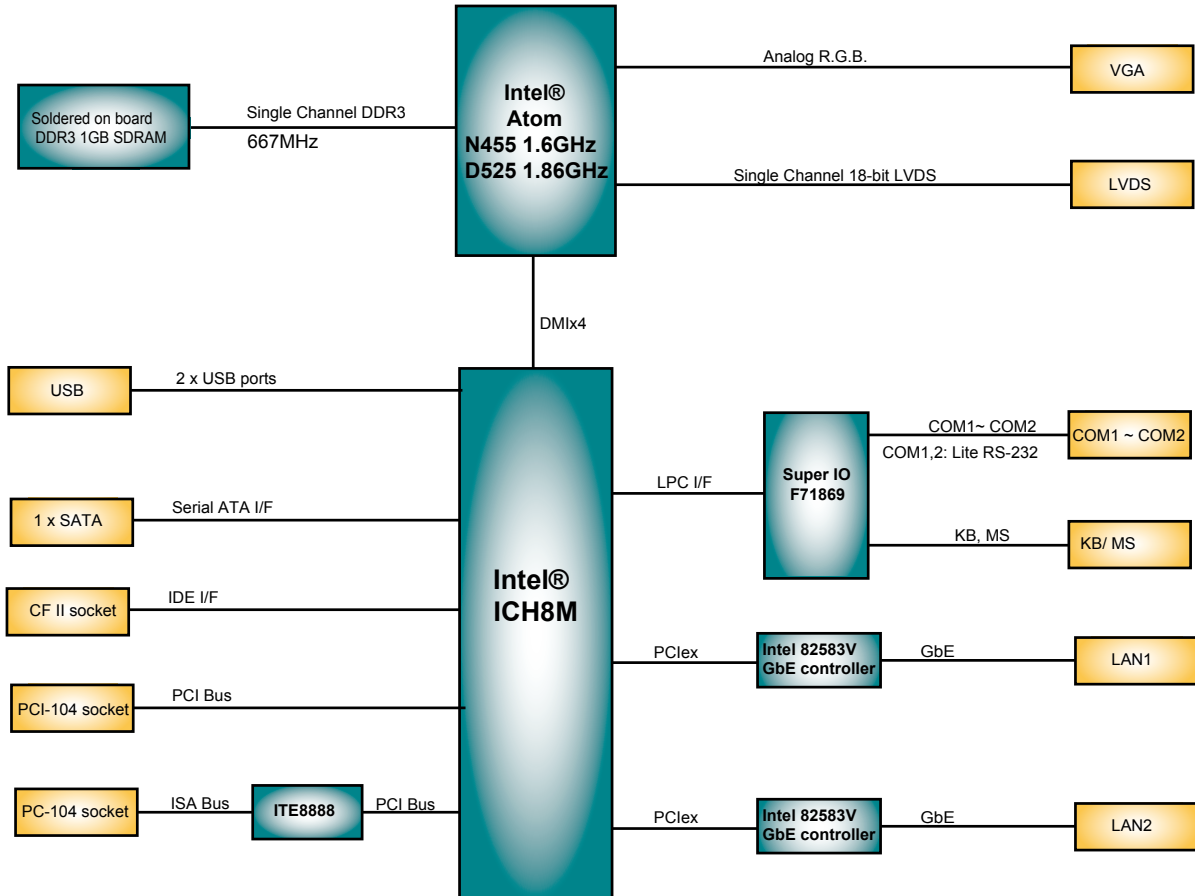
### Mechanical & Environmental

<b>Power Requirement</b>	+5V (+12V for LCD panel)
<b>Power Consumption</b>	2.4A@+5V (Typical)
<b>Operating Temp.</b>	-20 ~ 70°C (-4 ~ 158°F)
<b>Operating Humidity</b>	10 ~ 95% @ 70°C (non-condensing)
<b>Dimension (L x W)</b>	96 x 90 mm (3.8" x 3.5")

### Dimensions



## Block Diagram



## Ordering Information

**Em104P-i2904-N4** Intel® Atom™ N455 PC/104-Plus CPU module

**Em104P-i2904-D5** Intel® Atom™ D525 PC/104-Plus CPU module

## Optional Accessories

**CBK-10-2904-00**

- Cable kit
- 1 x SATA cable
  - 1 x KB & MS Y-cable
  - 1 x USB cable
  - 2 x Ethernet cables
  - 1 x VGA cable
  - 1 x COM cable
  - 2 x Power cables
  - 1 x SATA Power cable

# Mouser Electronics

Authorized Distributor

Click to View Pricing, Inventory, Delivery & Lifecycle Information:

[ARBOR Technology:](#)

[Em104P-i2904-N4](#) [Em104P-i2909-N4](#) [Em104P-i2904-D5](#)