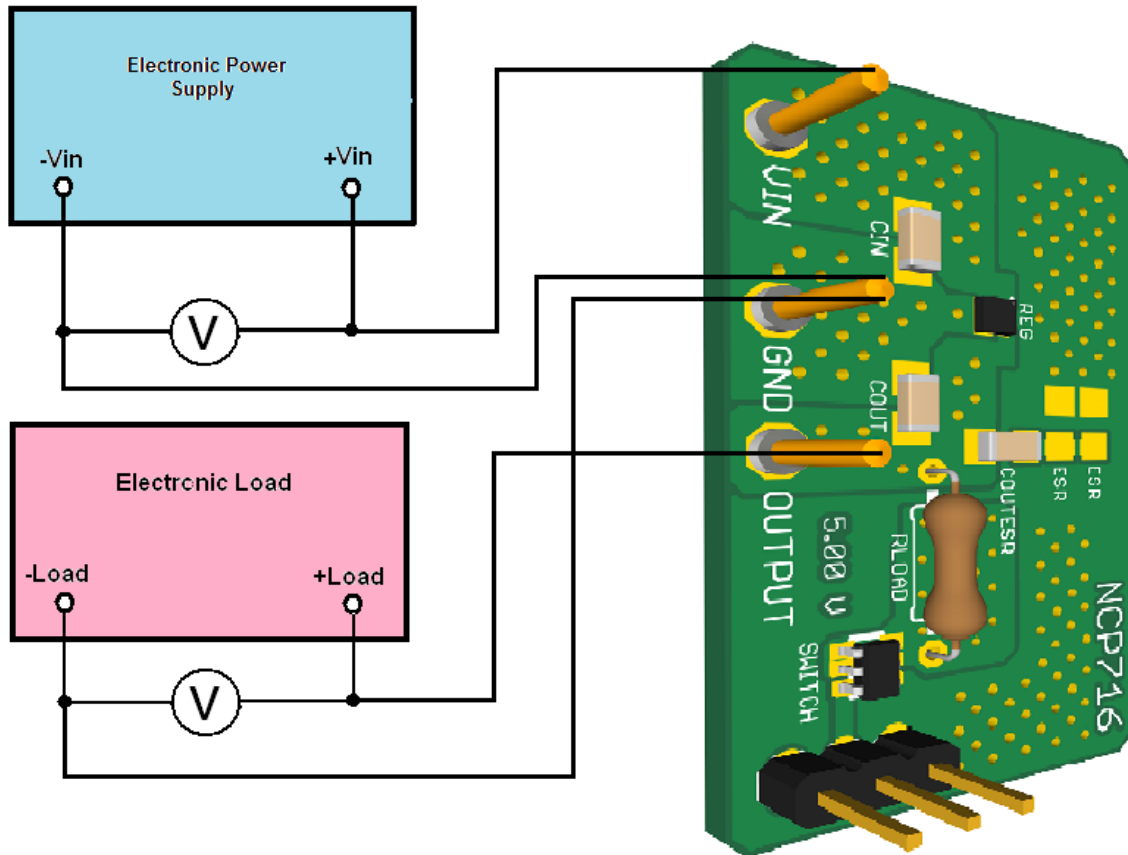




Test Procedure for the NCP716MTTBGEVB Evaluation Board



Test procedure:

1. Check the Voltage Version (It is mentioned next to OUTPUT terminal on the demoboard.)
2. Connect the test setup as shown Figure above
3. Apply an input voltage **V_{in} = 6.0 V**
4. Apply I_{out} = 0mA load.



5. Check that V_{out} is:
 - 1.2 V +/-2% for 1.2 V voltage version**
 - 1.5 V +/-2% for 1.5 V voltage version**
 - 1.8 V +/-2% for 1.8 V voltage version**
 - 2.5 V +/-2% for 2.5 V voltage version**
 - 3.0 V +/-2% for 3.0 V voltage version**
 - 3.3 V +/-2% for 3.3 V voltage version**
 - 5.0 V +/-2% for 5.0 V voltage version**
6. Increase I_{out} up to **80 mA**
7. Check that V_{out} is :
 - 1.2 V +/-2% for 1.2 V voltage version**
 - 1.5 V +/-2% for 1.5 V voltage version**
 - 1.8 V +/-2% for 1.8 V voltage version**
 - 2.5 V +/-2% for 2.5 V voltage version**
 - 3.0 V +/-2% for 3.0 V voltage version**
 - 3.3 V +/-2% for 3.3 V voltage version**
 - 5.0 V +/-2% for 5.0 V voltage version**
8. Increase V_{in} up to **24.0 V** and decrease the load in accordance with **Safe Operation Area**
9. Power down the Load
10. Power down the V_{cc}
11. End of test

Mouser Electronics

Authorized Distributor

Click to View Pricing, Inventory, Delivery & Lifecycle Information:

[onsemi:](#)

[NCP716MTTBGEVB](#)