

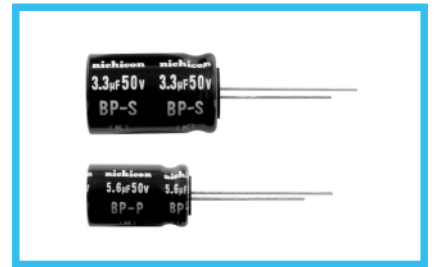
## DB.GB series Bi-Polarized, For Speaker Network



- Bi-polarized series.
- Designed specifically for crossover networks in Hi-Fi sound systems.
- Compliant to the RoHS directive (2002/95/EC).

### ● GB series

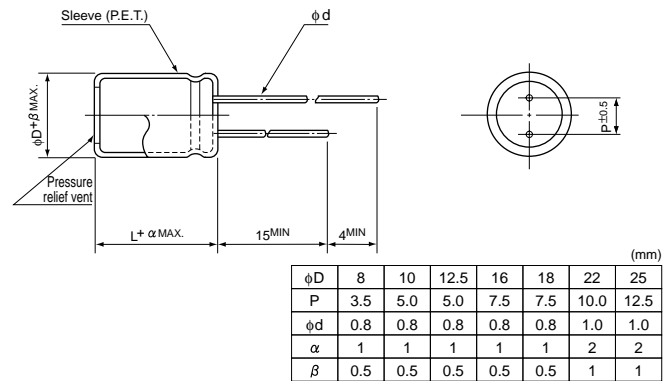
Products which are scheduled to be discontinued.  
Not recommended for new designs



### ■ Specifications

Performance Characteristics	DB series	GB series
Category Temperature Range	-40 to +85°C	-40 to +85°C
Rated Voltage Range	50V	50V
Rated Capacitance Tolerance	±20% at 1kHz	±10% at 1kHz
Leakage Current (After 5 minutes' application of rated voltage)	Leakage current is not more than 0.03CV or 3 (µA), whichever is greater.	
Tangent of loss angle (tan δ) (1 kHz) (5 kHz)	0.10 or less 0.15 or less	0.05 or less 0.05 or less
Allowable Continuous Current (8Ω - f <sub>c</sub> )	Value in table or less	Value in table or less
Marking	Printed with white color letter on black sleeve.	

### ■ Radial Lead Type

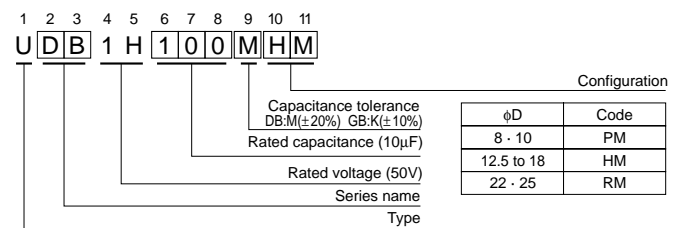


### ■ Dimensions

Cap. (µF)	Code	DB φD×L (mm)		GB φD×L (mm)		Rated ripple (mArms)	
		1H (50V)	Frequency (Hz)	DB	GB		
1	010	8×11.5	10×20	20k	205	760	
1.5	1R5	8×11.5	12.5×20	13k	245	800	
2.2	2R2	10×12.5	12.5×20	9k	320	820	
3.3	3R3	10×16	16×25	6k	400	850	
4.7	4R7	10×20	16×25	4.2k	480	890	
6.8	6R8	12.5×20	16×31.5	2.9k	540	920	
10	100	12.5×25	18×35.5	2k	600	970	
15	150	12.5×25	22×40	1.3k	660	1040	
22	220	16×25	22×40	900	740	1060	
33	330	16×31.5	25×40	600	800	1120	
47	470	18×35.5		420	1020		
68	680	22×40		290	1200		

• Please refer to page 20 about the end seal configuration.

### Type numbering system (Example : DB series 50V 10µF)



Please refer to page 20, 21, 22 about the formed or taped product spec.  
Please refer to page 4 for the minimum order quantity.

# Mouser Electronics

Authorized Distributor

Click to View Pricing, Inventory, Delivery & Lifecycle Information:

[Nichicon:](#)

[UGB1H100KHM](#) [UGB1H150KRM](#) [UGB1H1R5KHM](#) [UGB1H220KRM](#) [UGB1H2R2KHM](#) [UGB1H330KRM](#)  
[UGB1H3R3KHM](#) [UGB1H4R7KHM](#) [UGB1H6R8KHM](#) [UDB2A2R7KPAANATD](#) [UGB1H010KHM](#)