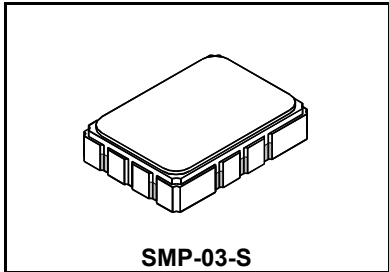


SF2038B-3

**76.500 MHz
SAW Filter**



- **Designed for SDARS IF Receiver**
- **Low Insertion Loss**
- **5.0 X 7.0 mm Surface-Mount Case**
- **Differential or Single Ended Input and Output**
- **Complies with Directive 2002/95/EC (RoHS)**



Absolute Maximum Ratings

Rating	Value	Units
Maximum Incident Power in Passband	+10	dBm
Max. DC voltage between any 2 terminals	30	VDC
Storage Temperature Range	-40 to +85	°C
Max Soldering Profile	265°C for 10 s	

Electrical Characteristics

Characteristic	Sym	Notes	Min	Typ	Max	Units
Nominal Center Frequency	f_c	1		76.500		MHz
Passband	Insertion Loss	1		10.0	12.0	dB
	1dB Passband		12.5	14.0		MHz
	15dB Bandwidth			16.8	18.0	MHz
	30dB Bandwidth			18.0	19.2	MHz
	Amplitude Ripple over $f_c \pm 6.25$ MHz				0.70	1.3
	Group Delay Variation over $f_c \pm 6.25$ MHz	GDV		40	150	ns _{P-P}
Rejection	50 to 64.44 MHz	1, 3	40	46		dB
	64.44 to 66.70 MHz		36	41		
	86.30 to 87.54 MHz		30	44		
	87.54 to 91.50 MHz		31	44		
	91.50 to 100 MHz		40	47		
Operating Temperature Range	T_A	1	-40		+85	°C
Frequency Coefficient	FTC			-87		ppm/°C
Differential Input			175 ohms			
Differential Output			180 ohms			
Case Style		6	SMP-03-S 7 x 5 mm Nominal Footprint			
Lid Symbolization (YY=year, WW=week, S=shift) See note 4			RFM SF2038B-3 YYWW			

Electrical Connections

Connection	Port 1 Hot	Port 1 Ground Return or Hot	Port 2 Hot	Port 2 Ground Return or Hot	Case Ground
Terminals	10	1	5	6	All Others



CAUTION: Electrostatic Sensitive Device. Observe precautions for handling.

NOTES:

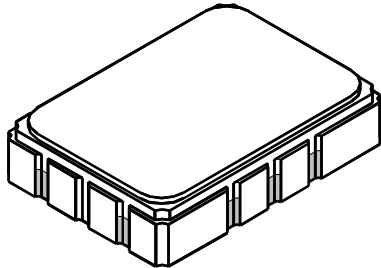
1. Unless noted otherwise, all specifications apply over the operating temperature range with filter soldered to the specified demonstration board with impedance matching to 50 Ω and measured with 50 Ω network analyzer.
2. Unless noted otherwise, all frequency specifications are referenced to the nominal center frequency, f_c .
3. Rejection is measured as attenuation below the minimum IL point in the passband. Rejection in final user application is dependent on PCB layout and external impedance matching design. See Application Note No. 42 for details.
4. "LRIP" or "L" after the part number indicates "low rate initial production" and "ENG" or "E" indicates "engineering prototypes."
5. The design, manufacturing process, and specifications of this filter are subject to change.
6. Tape and Reel Standard ANSI / EIA 481.
7. Either Port 1 or Port 2 may be used for either input or output in the design. However, impedances and impedance matching may vary between Port 1 and Port 2, so that the filter must always be installed in one direction per the circuit design.
8. US and international patents may apply.
9. Murata, stylized Murata logo, and Murata N.A., Inc. are registered trademarks of Murata Manufacturing Co., Ltd.

SMP-03-S Case



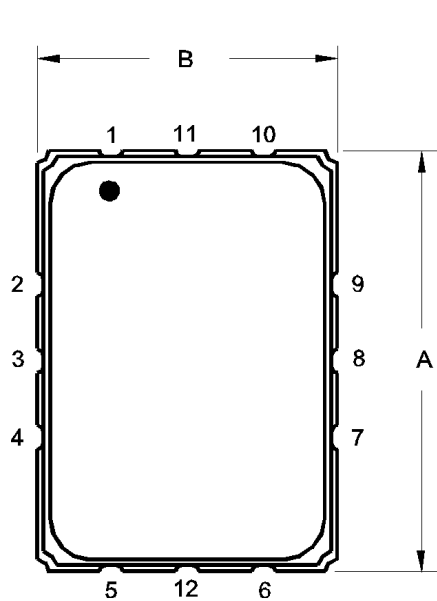
12-Terminal Ceramic Surface-Mount Case

5 x 7 mm Nominal Footprint

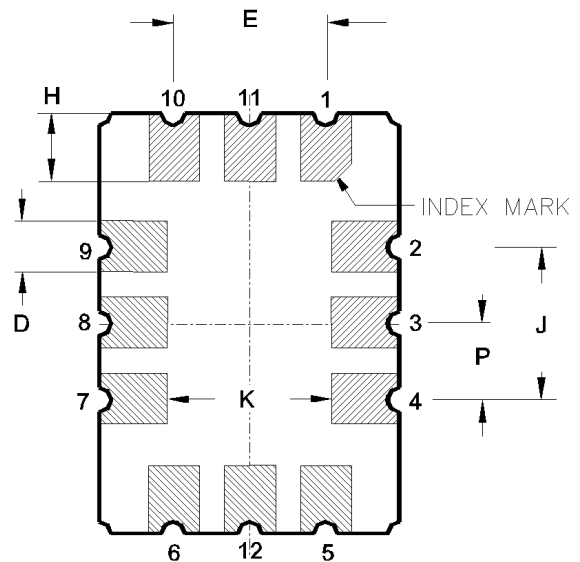
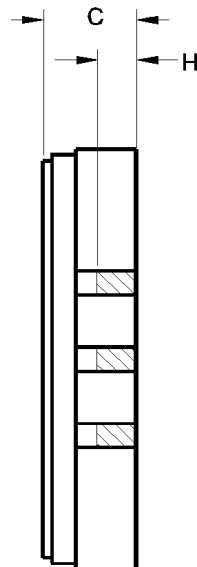


Case Dimensions						
Dimension	mm			Inches		
	Min	Nom	Max	Min	Nom	Max
A	6.80	7.00	7.20	0.268	0.276	0.283
B	4.80	5.00	5.20	0.189	0.197	0.205
C		1.65	2.00		0.065	0.079
D		0.80				
E	2.41	2.54	2.67	0.095	0.100	0.105
H	0.87	1.1	1.13	0.034	0.039	0.044
J		2.54				
K	2.87	3.00	3.13	0.113	0.118	0.123
P	1.14	1.27	1.40	0.045	0.050	0.055

Materials	
Solder Pad Termination	Au plating 30 - 60 pinches (76.2-152 μm) over 80-200 pinches (203-508 μm) Ni.
Lid	Fe-Ni-Co Alloy Electroless Nickel Plate (8-11% Phosphorus) 100-200 pinches Thick
Body	Al ₂ O ₃ Ceramic
Pb Free	

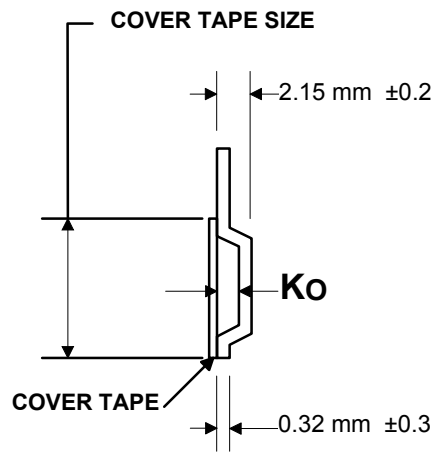
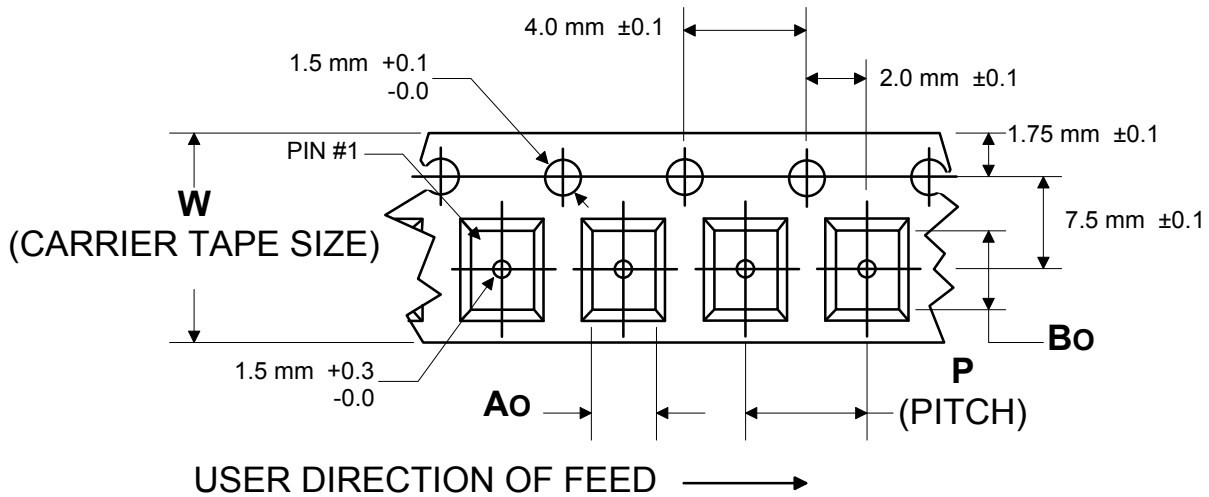


TOP VIEW



BOTTOM VIEW

COMPONENT ORIENTATION and DIMENSIONS



Carrier Tape Dimensions		
Ao	5.5 mm	± 0.1
Bo	7.5 mm	± 0.1
Ko	2.0 mm	± 0.1
Pitch	8.0 mm	± 0.1
W	16.0 mm	± 0.3

Mouser Electronics

Authorized Distributor

Click to View Pricing, Inventory, Delivery & Lifecycle Information:

[Murata:](#)

[SF2038B-3](#)