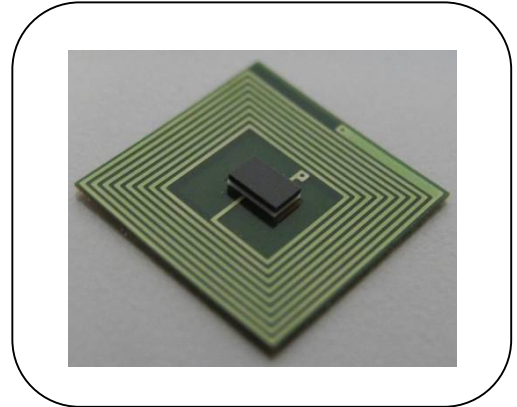


HF MAGICSTRAP® Preliminary Data Sheet LXMSAPHA17-176



1. General Descriptions

HF MAGICSTRAP® is a small size HF band RFID IC module, including embedded antenna. This complies with ISO14443/NFC Forum Type2 standard. It can be used globally with high performance even in small form factor.

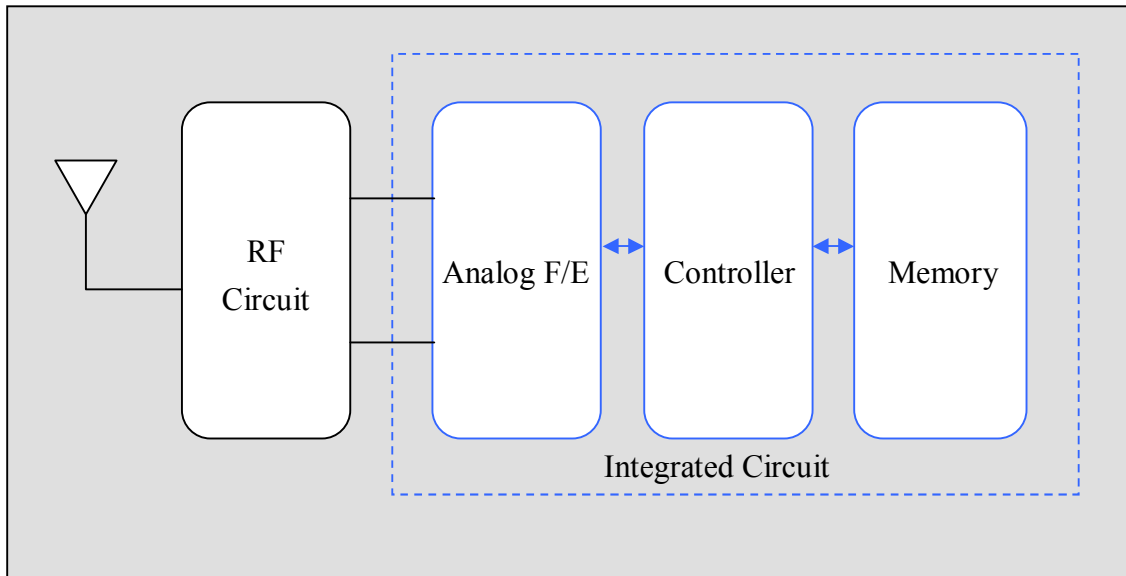


[Features]

- ISO14443/NFC Forum Type2 Compliance
- Operating frequency of 13.56MHz
- Embedded antenna
- Using NXP NTAG213, 1152bit user memory
- Small package (8.3X8.3X0.7mm typ.)
- Completely green material and RoHS Compliant.
- Bi-adhesive on the back size.

2. Block Diagram

Figure.1 shows block diagram.



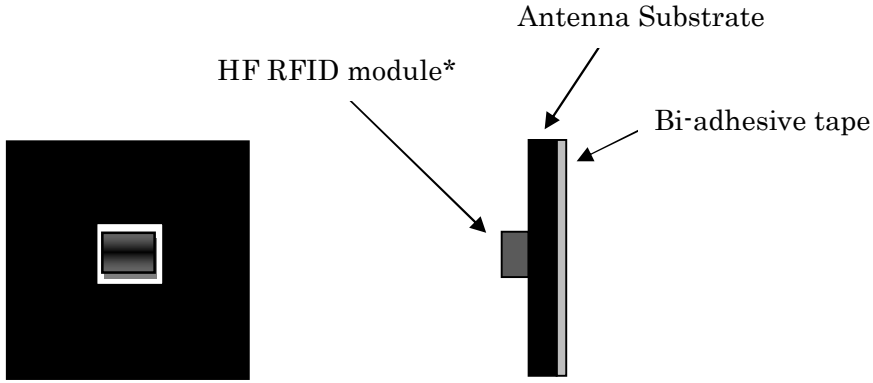
HF MAGICSTRAP® Preliminary Data Sheet LXMSAPHA17-176



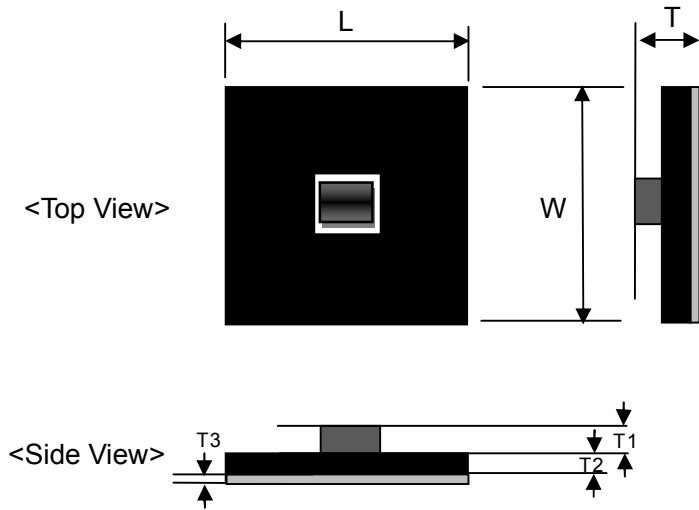
3. Mechanical Information

3-1. Construction and Dimension

[Construction]



[Dimension]



[mm]

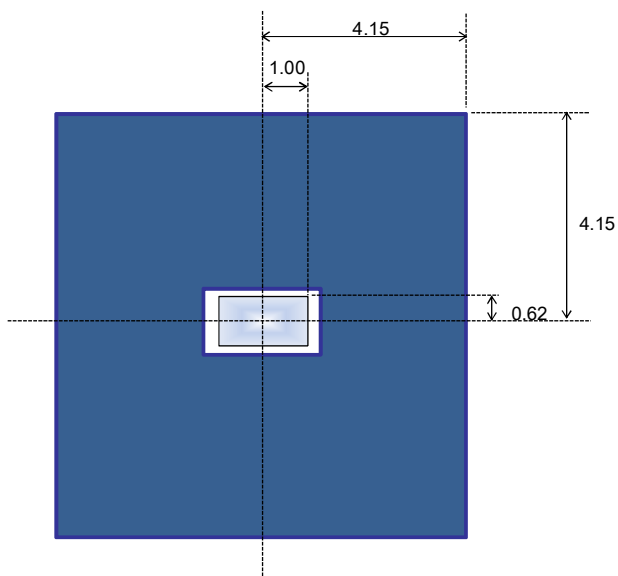
Mark	Dimensions
L	8.3 ± 0.2
W	8.3 ± 0.2
T	0.70 typ. / 0.80 max
T1	0.45 typ.
T2	0.15 typ.
T3	0.10 typ.

Fig.2 Package Dimension

HF MAGICSTRAP® Preliminary Data Sheet LXMSAPHA17-176



[Drawing]



4. Electrical performance

4-1. Reading range (reference only)

25mm*

*Reader/Writer : TI TRF7960 Reference Board

Reader/Writer antenna : 37x54mm on TI TRF7960 Reference Board

Output Power of Reader/Writer : 200mW

5. Operating Temperature

-40degC ~ +70degC

6. RoHS compliance

This product is compliant with RoHS directive

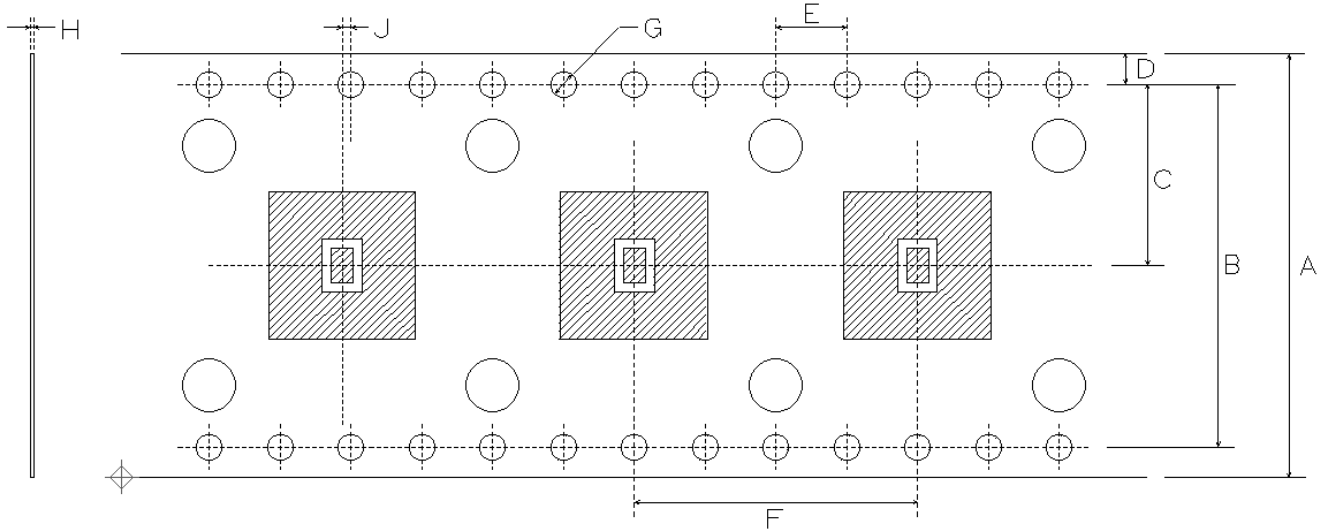
All Rights Reserved, Copyright© Murata Manufacturing Co., Ltd.
Tentative/Confidential

HF MAGICSTRAP® Preliminary Data Sheet LXMSAPHA17-176



7. Packing Information

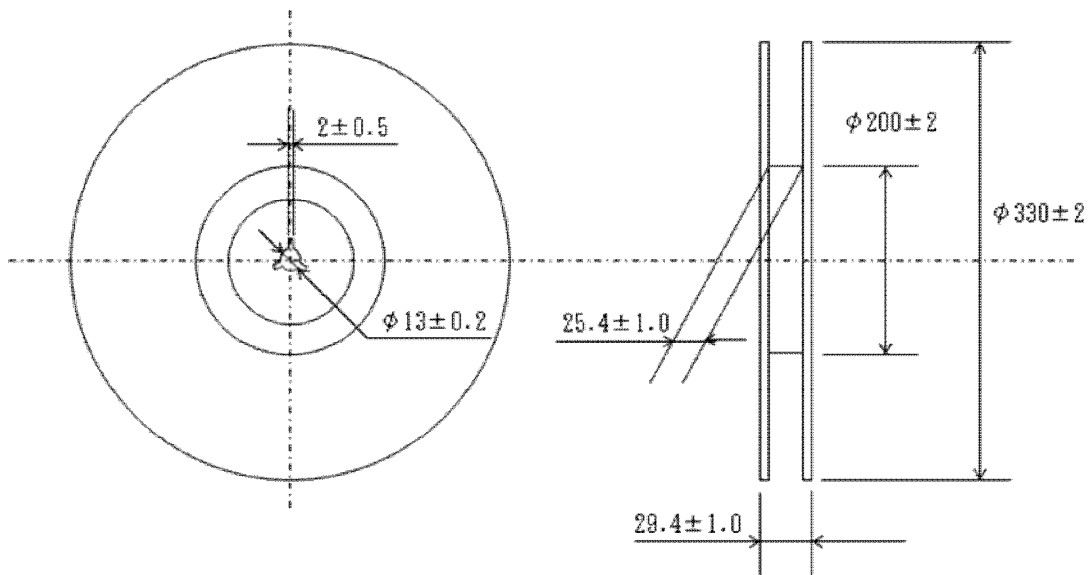
(1) Tag position on carrier sheet



Unit : [mm]

Mark	Dimension	Mark	Dimension
A	24.0 ± 0.3	F	16.0 ± 0.4
B	20.5 ± 0.1	G	$\phi 1.5 \pm 0.1$
C	10.25 ± 0.5	H	0.08 ± 0.03
D	1.75 ± 0.1	J	0.0 ± 0.5
E	4.0 ± 0.1		

(2) Dimension of Reel

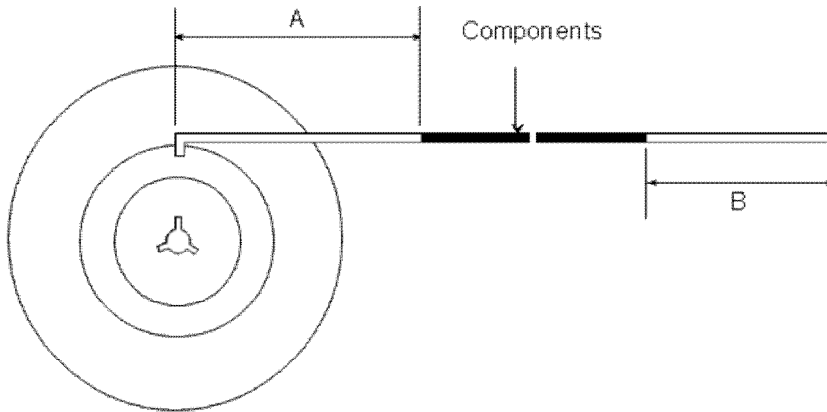


All Rights Reserved, Copyright© Murata Manufacturing Co., Ltd.
Tentative/Confidential

HF MAGICSTRAP® Preliminary Data Sheet LXMSAPHA17-176



(3) Leader and Tail tape



Mark	Items	Minimum length (mm)
A	Tail	800-900
B	Leader no cover tape	1900-2000

(4) Packaging unit : 2500 pcs/Reel

(5) Material : Base tapePET
Reel.....Plastic

8. Contents

8-1) This document is tentative version. The content is under development for improvement and may subject to change without notice. When we submit specification and/or approval sheet, these document should replace this technical data.

8-2) " MAGICSTRAP® " is the registered trademark of Murata Manufacturing. Co., Ltd. in Japan.

For any inquiries/queries, please feel free to contact us.

**All Rights Reserved, Copyright© Murata Manufacturing Co., Ltd.
Tentative/Confidential**

Mouser Electronics

Authorized Distributor

Click to View Pricing, Inventory, Delivery & Lifecycle Information:

[Murata:](#)

[LXMSAPHA17-176](#)