

**PLEASE CHECK WWW.MOLEX.COM FOR LATEST PART INFORMATION**

**Part Number:** [0089003001](#)  
**Status:** **Active**  
**Description:** 3.96mm Spacing Polarizing Key

**Documents:**

[3D Model](#) [RoHS Certificate of Compliance \(PDF\)](#)  
[Drawing \(PDF\)](#)

**General**

Product Family	Accessories
Series	<a href="#">7580</a>
Component Type	Polarizing Peg
Product Name	N/A
UPC	800753577312

**Physical**

Circuits (Loaded)	1
Color - Resin	Natural
Lock to Mating Part	No
Material - Resin	Nylon
Net Weight	0.009/g
Packaging Type	Bag

**Solder Process Data**

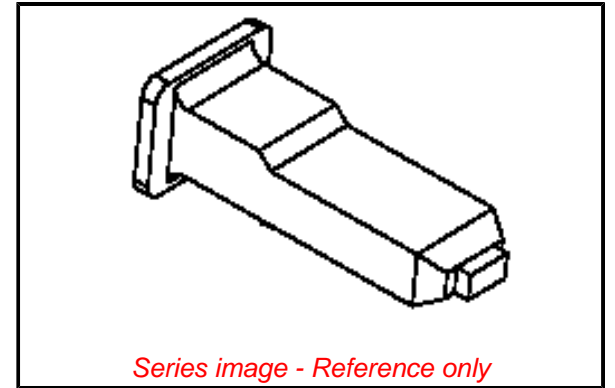
Lead-freeProcess Capability	N/A
-----------------------------	-----

**Material Info**

Engineering Number	7580-01
--------------------	---------

**Reference - Drawing Numbers**

Sales Drawing	SD-7580-*
---------------	-----------



**EU ELV**

**Not Relevant**

**EU RoHS**

**Compliant**

**REACH SVHC**

Not Contained Per  
-ED/01/2017 (12  
January 2017)

**Halogen-Free**

**Status**

**Low-Halogen**

**Need more information on product environmental compliance?**

Email [productcompliance@molex.com](mailto:productcompliance@molex.com)  
Please visit the [Contact Us](#) section for any non-product compliance questions.

China ROHS

ELV

RoHS Phthalates

Green Image

Not Relevant

Not Contained

**Search Parts in this Series**

[7580](#) Series

**Use With**

[6442](#) KK® Crimp Terminal Housing

**PLEASE CHECK WWW.MOLEX.COM FOR LATEST PART INFORMATION**

# Mouser Electronics

Authorized Distributor

Click to View Pricing, Inventory, Delivery & Lifecycle Information:

[Molex:](#)

[89-00-3001](#)