

PLEASE CHECK WWW.MOLEX.COM FOR LATEST PART INFORMATION

Part Number: [0051241040](#)
Status: **Active**
Overview: [LFH™ Interconnect System](#)
Description: 1.27mm Pitch LFH™ Matrix 50 Receptacle, Shielded, 160 Circuits, Right Angle

Documents:

[3D Model](#) [Product Specification PS-71626 \(PDF\)](#)
[Drawing \(PDF\)](#) [RoHS Certificate of Compliance \(PDF\)](#)

Agency Certification

CSA LR19980
 UL E29179

General

Product Family I/O Connectors
 Series [71626](#)
 Application Board-to-Board, Wire-to-Board
 Component Type Receptacle
 Overview [LFH™ Interconnect System](#)
 Product Name LFH™
 Type N/A
 UPC 800753641389

Physical

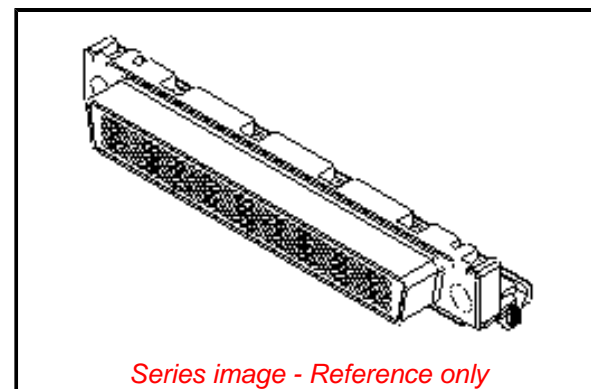
Circuits (Loaded) 160
 Circuits (maximum) 160
 Color - Resin Black
 Flammability 94V-0
 Keying to Mating Part None
 Lock to Mating Part Yes
 Material - Metal Beryllium Copper
 Material - Plating Mating Gold
 Material - Plating Termination Tin
 Material - Resin High Temperature Thermoplastic
 Net Weight 13.055/g
 Orientation Right Angle
 PC Tail Length 2.40mm
 PCB Retention Yes
 PCB Thickness - Recommended 2.40mm
 Packaging Type Tube
 Panel Mount Yes
 Pitch - Mating Interface 1.27mm
 Plating min - Mating 0.762µm
 Plating min - Termination 2.540µm
 Polarized to Mating Part Yes
 Surface Mount Compatible (SMC) Yes
 Temperature Range - Operating -20°C to +80°C
 Termination Interface: Style Through Hole
 Wire Size AWG N/A

Electrical

Current - Maximum per Contact 1.0A
 Grounding to Panel Yes
 Shielded Yes
 Voltage - Maximum 40V

Solder Process Data

Duration at Max. Process Temperature (seconds) 040



Series image - Reference only

EU ELV

Not Relevant

EU RoHS

Compliant with Exemption 6(c)

REACH SVHC

Not Contained Per - ED/21/2016 (20 June 2016)

Halogen-Free

Status

Low-Halogen

Need more information on product environmental compliance?

Email productcompliance@molex.com
 Please visit the [Contact Us](#) section for any non-product compliance questions.

China ROHS	50 Image
ELV	Not Relevant
RoHS Phthalates	Not Contained

Search Parts in this Series

[71626 Series](#)

Mates With

[71624 LFH™ Plug](#)

Use With

[71628 Guide Pin](#), [Guide Sleeve 71629](#), [71771](#), [70982 Hex Screw Kit](#)

Lead-free Process Capability	WAVE
Max. Cycles at Max. Process Temperature	003
Process Temperature max. C	245

Material Info

Engineering Number	71626-2000
--------------------	------------

Reference - Drawing Numbers

Product Specification	PS-71626
Sales Drawing	SDA-71626-200*

This document was generated on 10/19/2016

PLEASE CHECK WWW.MOLEX.COM FOR LATEST PART INFORMATION

Mouser Electronics

Authorized Distributor

Click to View Pricing, Inventory, Delivery & Lifecycle Information:

[Molex:](#)

[51-24-1040](#)