



The CW Series is a revolutionary Hall effect control wheel providing proportional control in one miniature axis. A spring return device, the CW is available with your choice of linear output options and wheel colors. Ideal applications include joystick, "gamepad", armrest and panel mount integration.



KEY FEATURES

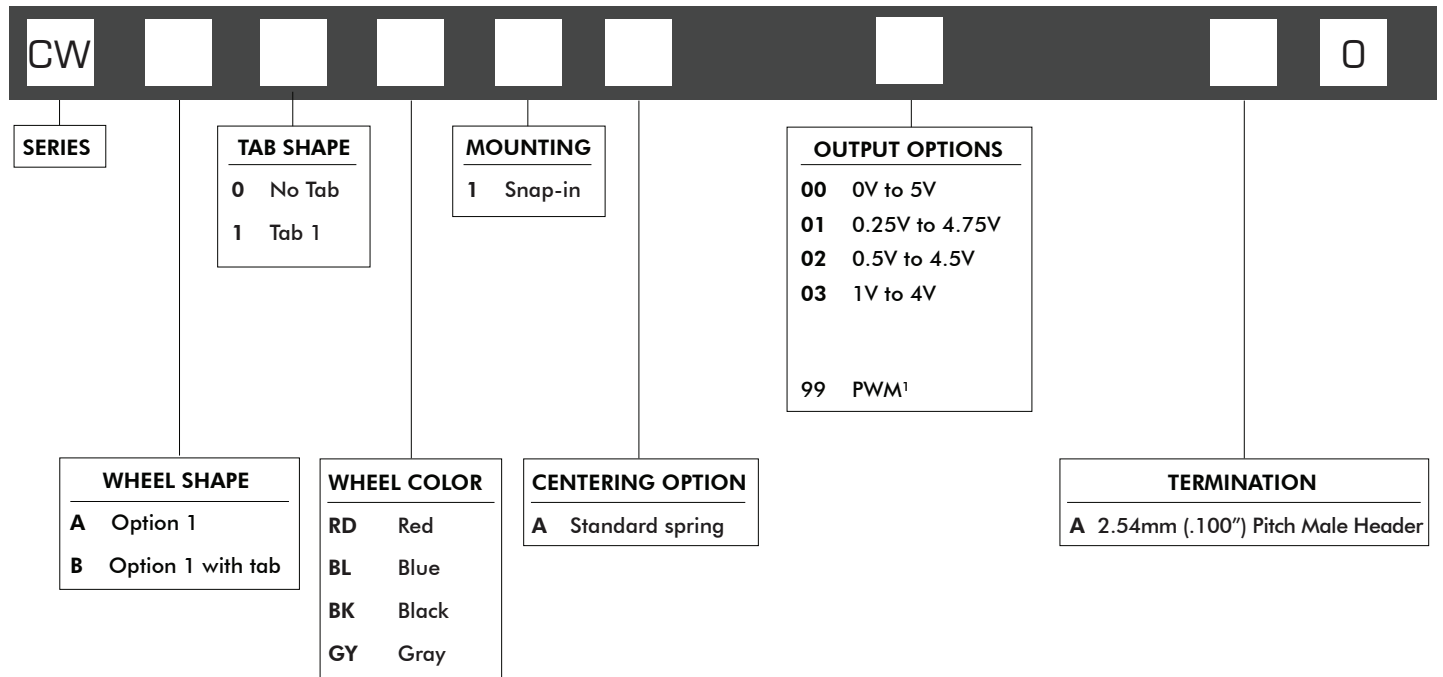
- Miniature design**
- Designed for joystick, armrest and panel mounting**
- Proportional output**
- Self-centering, single-axis actuator**
- Snap-in mounting**



CW series

Proportional miniature control wheel

OPTION SELECTION



1 - Contact factory for PWM configuration

SPECIFICATIONS

MECHANICAL

Mechanical Angle of Movement	-	±45°
Expected Life	-	1 million cycles
Mass / weight	-	18.25g ± 5.0g (0.64oz ± 0.18oz)
Lever Action (Centering)	-	Spring centering

ENVIRONMENTAL

Operating Temperature	-	-40°C to +85°C (-40°F to +185°F)
Storage Temperature	-	-40°C to +85°C (-40°F to +185°F)
Sealing	-	IP68
EMC Immunity Level	-	EN61000-4-3
EMC Emissions Level	-	EN61000-6-3:2001
ESD	-	EN61000-4-2

ELECTRICAL

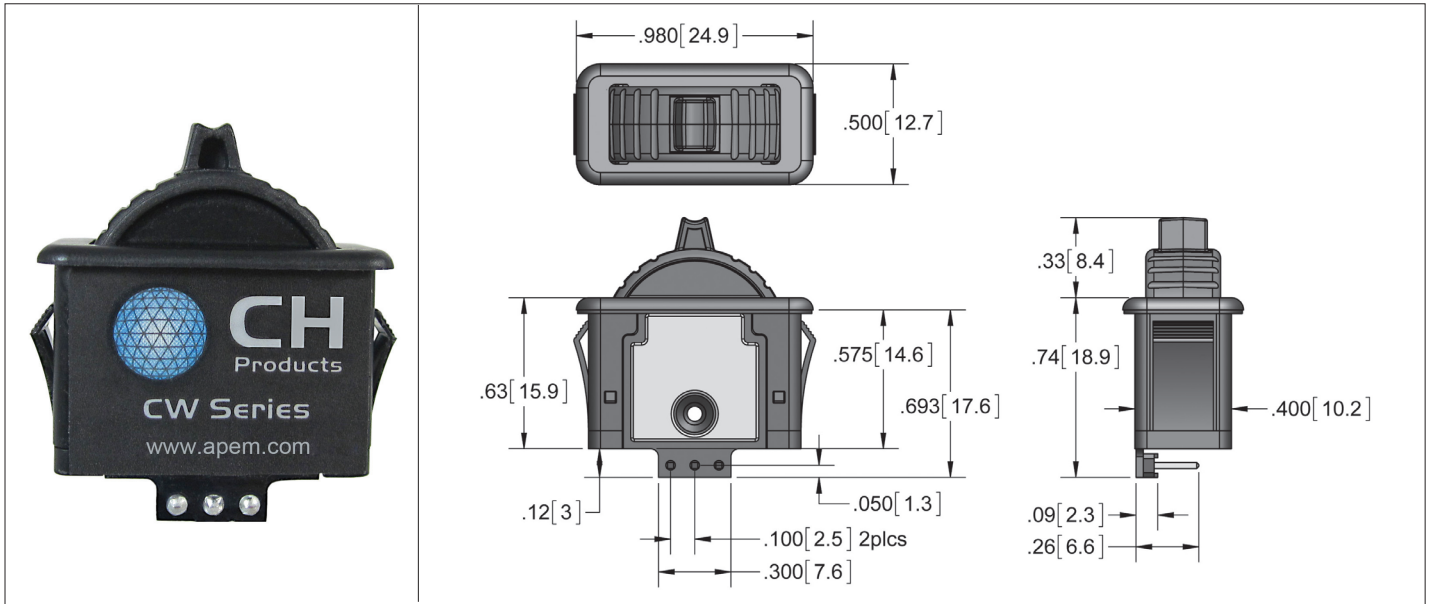
Resolution	-	1.22mV
Supply Voltage Range	-	5.00V ± 0.01V
Reverse Polarity Max	-	-10V
Overvoltage Max	-	20V
Output Impedance	-	2Ω
Return to Center Voltage Tolerance	-	± 200mV initial

Note: The company reserves the right to change specifications without notice.

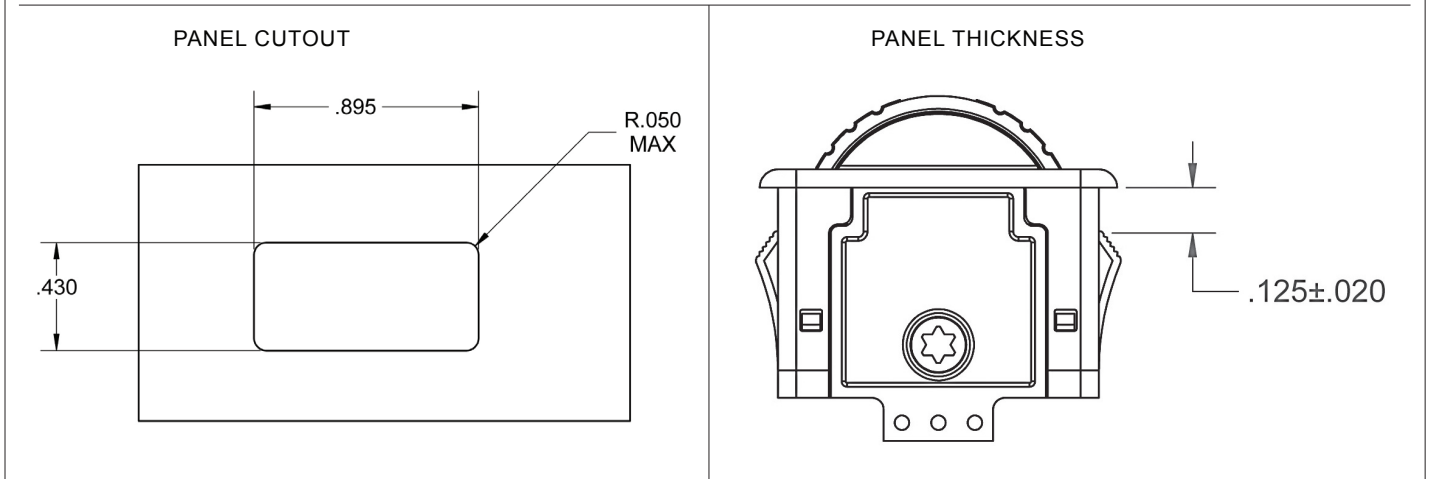
CW series

Proportional miniature control wheel

DIMENSIONAL DRAWINGS



MOUNTING OPTIONS



Note: Dimensions are in inches (mm)

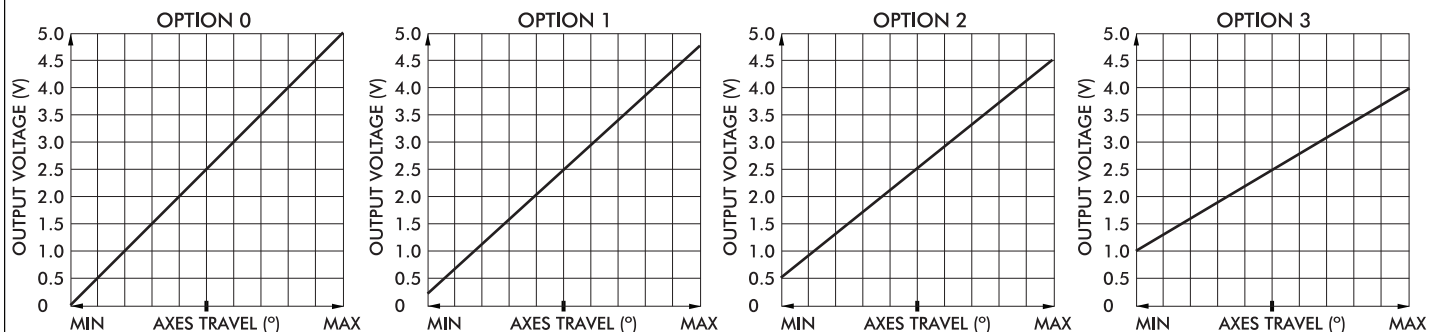
Notes: The company reserves the right to change specifications without notice. The graphs are provided for representational purposes only.

CW series

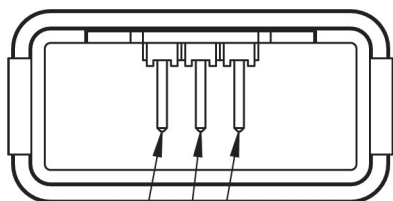
Proportional miniature control wheel

CONFIGURATION OPTIONS

LINEAR OUTPUT OPTIONS



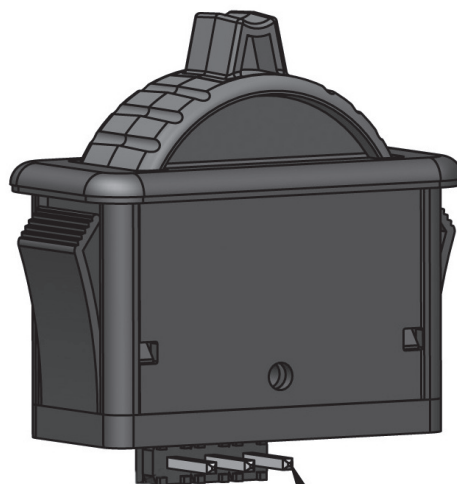
TERMINALS



Pin 1 - 5V power (RED)

Pin 2 - Ground (BLACK)

Pin 3 - Signal (BLUE)



Pin 1

Notes: The company reserves the right to change specifications without notice. The graphs are provided for representational purposes only.

Mouser Electronics

Authorized Distributor

Click to View Pricing, Inventory, Delivery & Lifecycle Information:

[Apem:](#)

[CW-A0BK1A00A0](#) [CW-A0BK1A02A0](#) [CW-B1BK1A02A0](#) [CW-B1BK1A00A0](#)