



Mallory Sonalert Products, Inc.

Part #:

SBS300FL

Sales Outline Drawing

Revision:

C

Specifications:

cUL Recognized as capable of meeting Medical Spec IEC60601-1-8

Coil Impedance (Ω):	8 @ 1-Volt
Rated Voltage (V):	2.8Vp-p Square Wave
Power Rating (W):	1W Rated 1.5W Max.
Recommended Drive	325 Hz
Loudness @ 10 CM:	95 to 105 dB(A) Typ.
Harmonics Present:	Minimum of 4 peaks within ± 15 dB from 1-4kHz
Housing Material:	ABS 777D Plastic Resin, Black
Leading Wire:	28 AWG
Storage Temperature:	-40° to +85° C
Operating Temperature:	-30° to +65° C
Weight (Typical):	0.56 oz (16 g)
Options:	Please contact factory.

Dimensions:

Inches [mm]

cUL Recognized

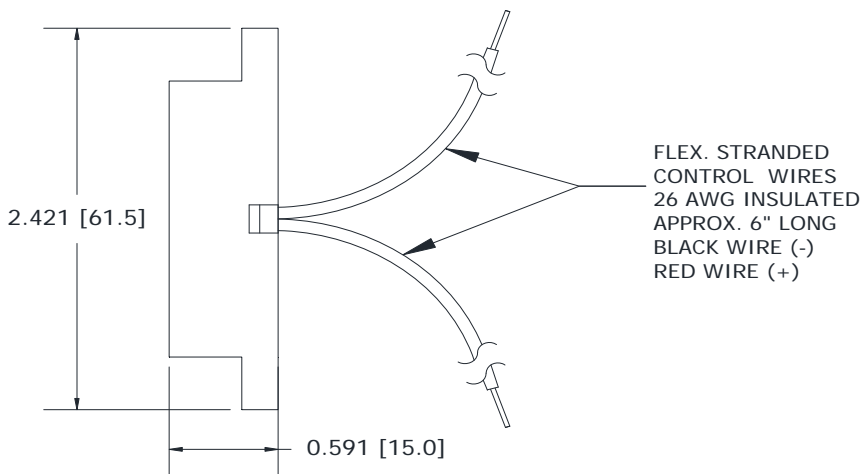
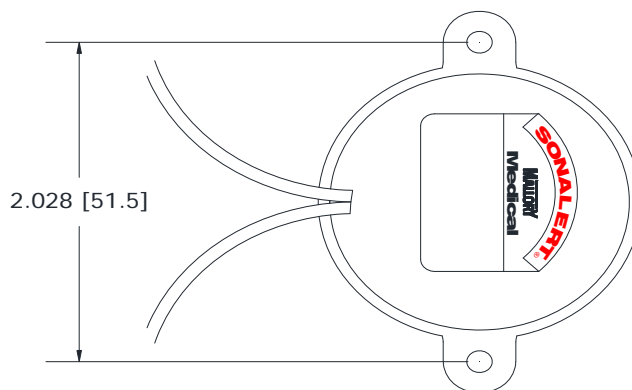
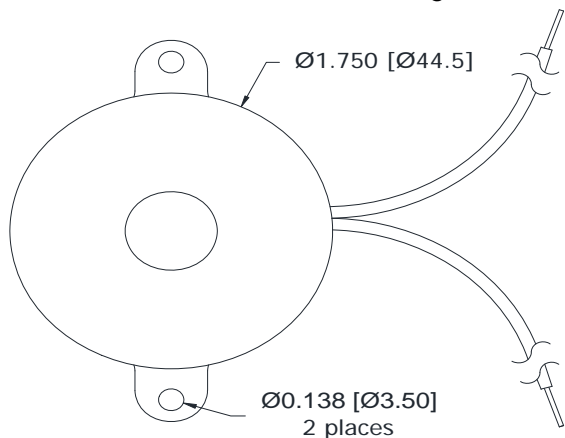
ROHS Compliant

PATENT NUMBER: 7880593

Before Code Date: 1546 Not cUL Recognized

After Code Date:

1547 cUL Recognized



Mouser Electronics

Authorized Distributor

Click to View Pricing, Inventory, Delivery & Lifecycle Information:

[Mallory Sonalert:](#)

[SBS300FL](#)