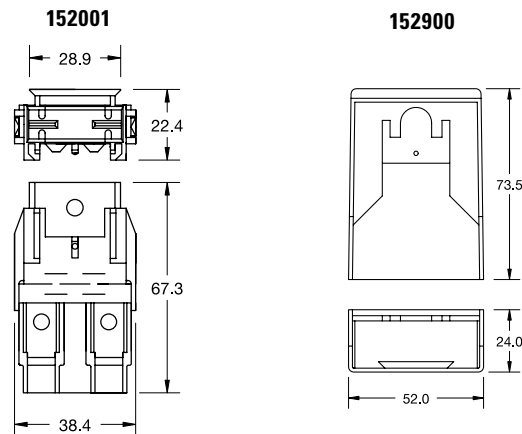


Blade Fuseholders - Fuseholder for MAXI™ Style Blade Fuse

RoHS



Dimensions in mm / Maße in mm



The In-Line Fuseholder provides an efficient, simple installation method for MAXI/ FK3-Style Fuse applications.

Der In-Line-Sicherungshalter ermöglicht eine effiziente, einfache Installation von MAXI/ FK3-Style -Sicherungen.

| Part Number Artikel-Nr. | Description Beschreibung | Fuse Rating Sicherungs- Nennstrom |
|----------------------------|--|---|
| 01520001TXN940 | Assortiment: Fuseholder with screws and terminals - 10 pcs. | 60 A |
| 01520001TXN941 | Assortiment: Fuseholder, Cover with screws and terminals - 10 pcs. | 60 A |

MAXI™ Components

| Part Number Artikel-Nr. | Description Beschreibung | Fuse Rating Sicherungs-Nennstrom |
|----------------------------|--|-------------------------------------|
| 01520001_ | Fuse holder | 60 A |
| 01520900_ | Cover | – |
| 09130653_ | Terminals for wire Ø 2.5 - 6 mm ² | – |
| 09130654_ | Terminals for wire Ø 5 - 10 mm ² | – |
| 09130550_ | Screws Ø 5.3 mm, M 5x8 | – |

Last figure of part number = packaging code, see Section "Packaging Index," pg. 157.

Mouser Electronics

Authorized Distributor

Click to View Pricing, Inventory, Delivery & Lifecycle Information:

[Littelfuse:](#)

[01520900U](#) [01520900Z](#) [01520903TXN](#) [01520903Z](#) [01520903U](#)