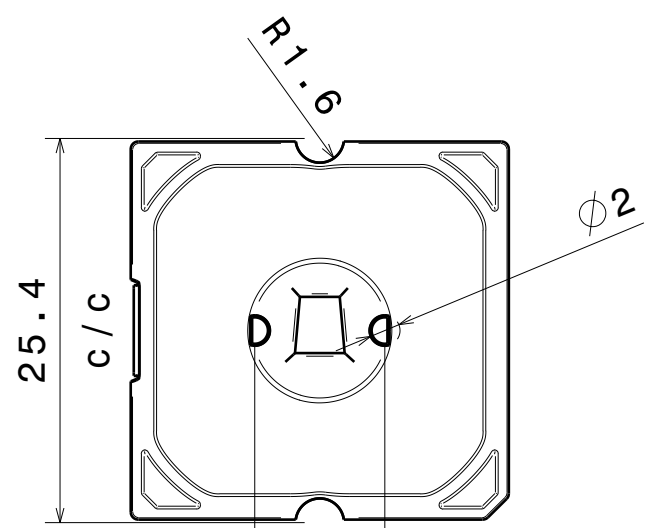
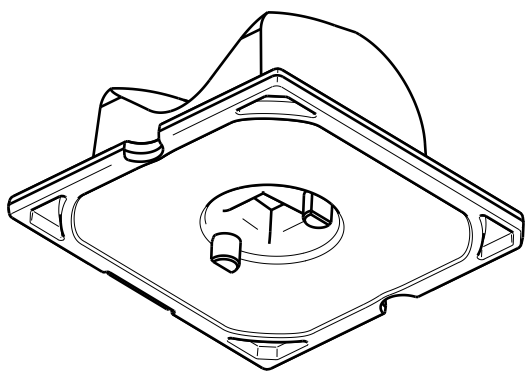


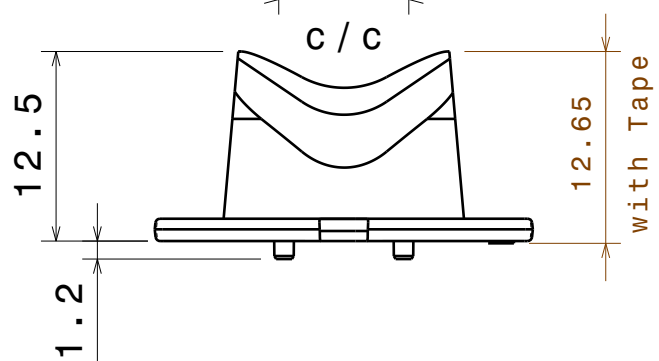
D C B A

4



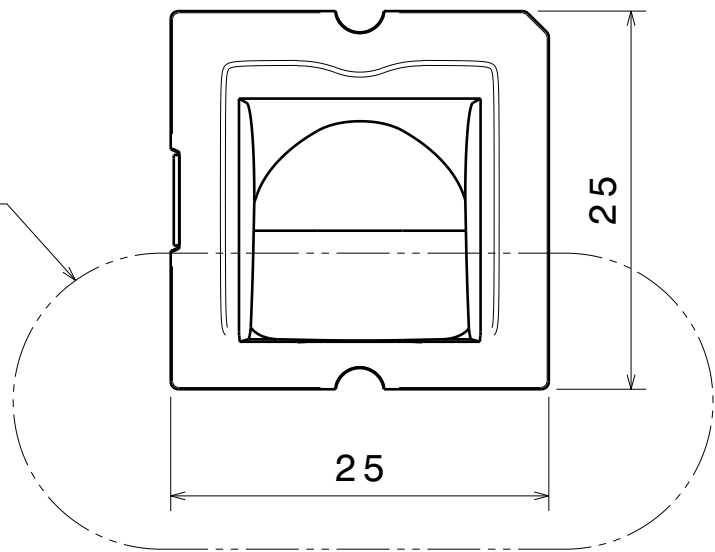
4

3



3

2



2

Part no.s:
C11891_Strada-SQ-T-DW-XM-L

Part no.s with tape:
CA11892_Strada-SQ-T-DW-XM-L-TAPE

MATERIALS
Lens: PMMA
Tape(optional): PU Foam

Beam direction

This drawing is our property.
It can't be reproduced
or communicated without
our written agreement.



Ledil Oy
Tehdaskatu 13
FIN-24100 SALO
Finland

DRAWING TITLE
Datasheet Strada-SQ-T-DW-XM-L Lens

DRAWN BY mav	DATE 01.12.2010
CHECKED BY pv	DATE 01.12.2010
DESIGNED BY hh	DATE 01.12.2010

SIZE A4	DRAWING NUMBER C11891	REV 1
SCALE 2:1	WEIGHT (g)	SHEET 1/1

1

1

D A

Mouser Electronics

Authorized Distributor

Click to View Pricing, Inventory, Delivery & Lifecycle Information:

[Ledi:](#)

[CA12859_EVA-O](#) [C12476_MIRELLA-50-S](#)