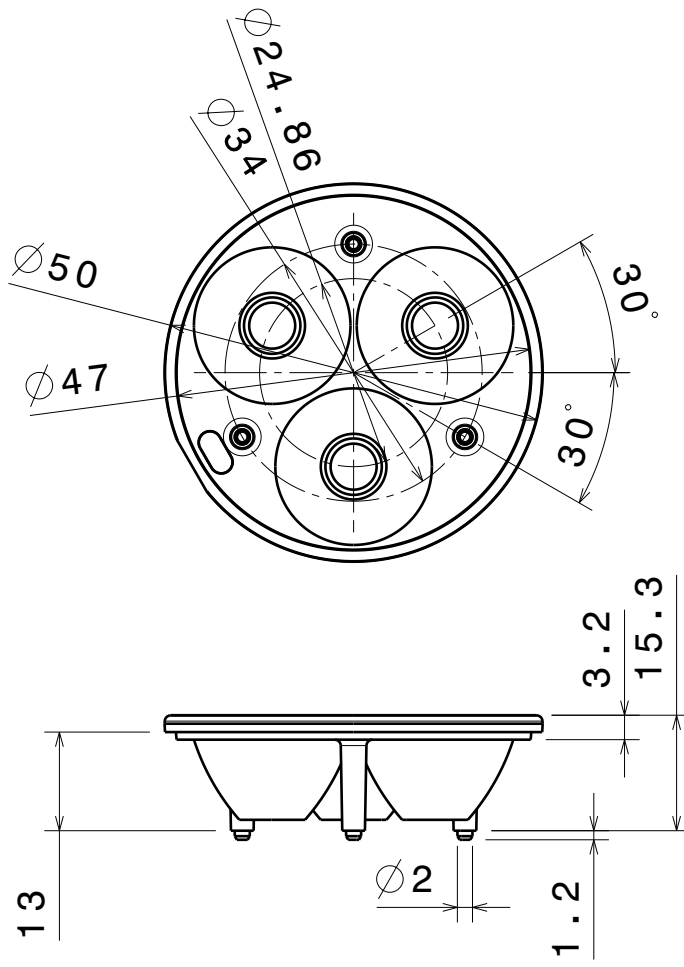
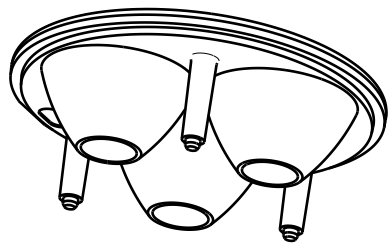


D C B A



Material: PMMA

Part no.s:
 C11943_NIS83-3-MR
 C11944_NIS83-3-WR
 C11945_NIS83-3-WWR

This drawing is our property.
 It can't be reproduced
 or communicated without
 our written agreement.



DRAWING TITLE
Datasheet NIS83-3-R Lens series

DRAWN BY p	DATE 22.12.2010
CHECKED BY t k	DATE 21.12.2010
DESIGNED BY HH	DATE 08.04.2008

SIZE A4	DRAWING NUMBER	REV 1
SCALE 1:1	WEIGHT (g)	SHEET 1/1

D A

Mouser Electronics

Authorized Distributor

Click to View Pricing, Inventory, Delivery & Lifecycle Information:

Ledil:

[C12477_MIRELLA-50-M](#) [CN12965_LENINA-XW](#)