

D

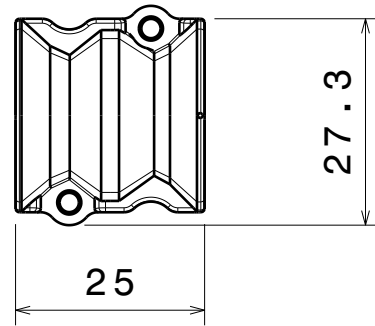
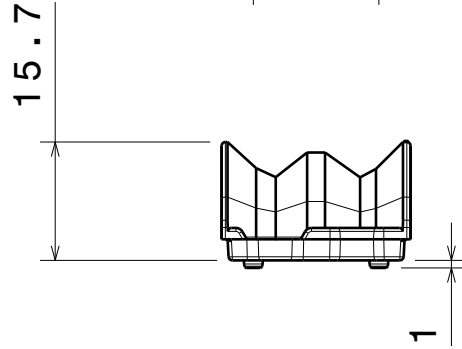
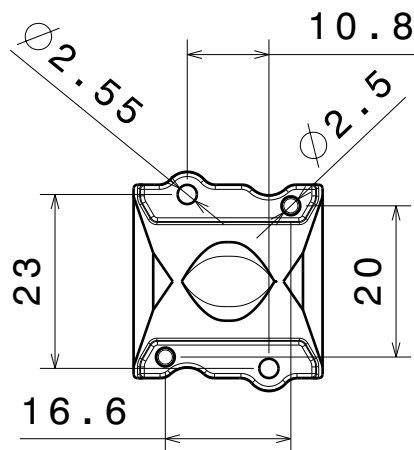
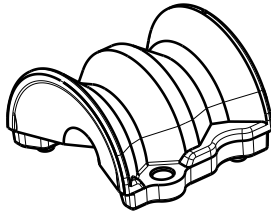
C

B

A

4

4



3

3

2

2

Material:
PMMA

This drawing is our property.
It can't be reproduced
or communicated without
our written agreement.



DRAWING TITLE

DRAWN BY
H

DATE
08.05.2008

H Datasheet Flare Lens

CHECKED BY
T

DATE
08.05.2008

SIZE
A4

DRAWING NUMBER
10053

REV
0.1

DESIGNED BY
HH

DATE
08.05.2008

SCALE 1:1

WEIGHT (kg)

SHEET

1/1

1

1

D

A

Mouser Electronics

Authorized Distributor

Click to View Pricing, Inventory, Delivery & Lifecycle Information:

Ledil:

[CN12605_LENINA-W-DL](#)