



## UNIVERSAL SERIAL BUS: KUSBXHT Series

### High Temperature Right Angle USB

#### Product Features

- High Retention Force
- Through Hole PCB Mount
- Compatible with Many Computer Peripherals
- A and B Type Available
- Supports Hot Plugging Contact Area with Gold Plating
- CSA/NRTL Certified File No. LR78160

#### Performance Specifications

##### Materials and Finish

###### Insulator

High Temperature, Thermoplastic, UL94V-0 Rated, Orange Color

###### Shell

See Drawing

###### Contact Material

See Drawing

###### Contact Plating

Gold Flash on Contact Area, Tin Plated on Solder Tail, All over Nickel Underplate

#### Electrical Characteristics

##### Rated Current

1.5A

##### Rated Voltage

30V AC/DC

##### Insulation Resistance

1000 Megohms Min.

##### Dielectric Withstanding Voltage

500V AC For 1 Minute

##### Contact Resistance

30 milliohms Max.

#### Mechanical Characteristics

**Durability:** 1500 Mating Cycles Min.

**Mating Force:** 35N Max.

**Extraction Force:** 15N Min.

2D Drawing	IGES	STEP	3D PDF
Solder Profile	CofC RoHS Compliant	CofC REACH Compliant	UL Plastic File
Certificate of Origin	Check Stock	Request a Sample	Send Us An Email

#### Generated Part Number

#### Part Number Builder

<input type="text"/>	-	<input type="text"/>	<input type="text"/>	<input type="text"/>
Series		Type	Insulator Color	Other Option

#### Series

**KUSBXHT** - Right Angle Universal Serial Bus

#### Type

**AS1N** - A Type

**BS1N** - B Type

#### Insulator Color Option

**O** - Orange

#### Option

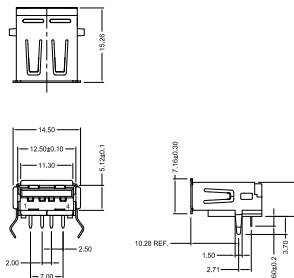
**HRF** - High Retention Force

Contact Kycon for Other Options

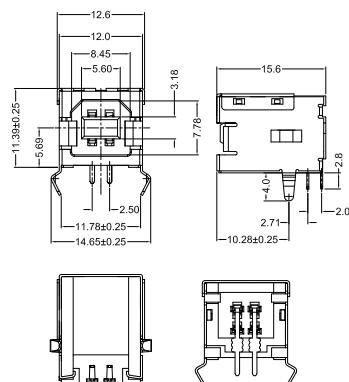
#### KUSBXHT

Dimensions in mm

#### KUSBXHT-AS1N-O-HRF



#### KUSBXHT-BS1N-O-HRF



# Mouser Electronics

Authorized Distributor

Click to View Pricing, Inventory, Delivery & Lifecycle Information:

## [Kycon:](#)

[KUSBXHTSL1AS1NB30](#) [KUSBXHTSL1AS1NW30](#) [KUSBXHTAS2NW](#) [KUSBXHTAS2NW30](#) [KUSBXHTSL1AS1NB](#)  
[KUSBXHTAS2NB](#) [KUSBXHTAS1NB30](#) [KUSBXHTBS1NW](#) [KUSBXHTAS2NB30](#) [KUSBXHTAS1NW](#)  
[KUSBXHTAS1NW30](#) [KUSBXHTAS1NB](#) [KUSBXHTSL1AS1NW](#) [KUSBXHTBS1NB30](#) [KUSBXHTBS1NW30](#)  
[KUSBXHTBS1NB](#) [KUSBXHT-BS1N-O-HRF](#) [KUSBXHT-BS1N-W](#) [KUSBXHT-AS1N-W](#) [KUSBXHT-AS1N-B30](#)  
[KUSBXHT-AS1N-W30](#) [KUSBXHT-AS2N-B](#) [KUSBXHT-AS2N-B30](#) [KUSBXHT-SL1AS1NB30](#) [KUSBXHT-AS1N-B](#)  
[KUSBXHT-AS2N-W](#) [KUSBXHT-AS2N-W30](#) [KUSBXHT-BS1N-B](#) [KUSBXHT-BS1N-B30](#) [KUSBXHT-BS1N-W30](#)  
[KUSBXHT-SL1AS1NB](#)