



## KMDMIX Series

HDMI<sup>(TM)</sup> Mini Connector, Right Angle SMT

### Features

- Supports Deep Color over HDMI<sup>(TM)</sup>
- 19 Position receptacle
- Smaller, more compact form than the traditional HDMI<sup>(TM)</sup> counterpart
- Provides low impedance mismatch



## Performance Specifications

### Materials and Finish

**Housing** : High Temp Thermoplastic, UL94V-0 Rated , Color-Black

**Contacts** : Phosphor Bronze

**Shield** : Nickel plated

**Plating** : Standard - 30µ" Gold in front contacts and Gold flash in solder area

### Electrical Characteristics

**Insulation Resistance** : 100 Megohms Min.

**Dielectric Withstanding Voltage** : 500V AC RMS for 1 min.

**Operating Rating** : 0.5 Max.

**Operating Temperature** : -25°C to 85°C

HDMI<sup>(TM)</sup>

KMDMIX Series

## Documentation & Ordering Information


**Kycon Part #**

## Part Number Builder

KMDMIX	-	NS3		A	-	WS	-	B		TR
Series		Shield Option		Board Lock Option		Top Spring		Insulator Option		Packaging Option

### Series

KMDMIX- HDMI<sup>(TM)</sup> Mini Connector

### Shield Option

NS3 -Through hole shield tabs with even length pegs and no flange

### Board Lock Option

A - Standard Straight B - Indented



### Top Spring

WS - With Top Spring

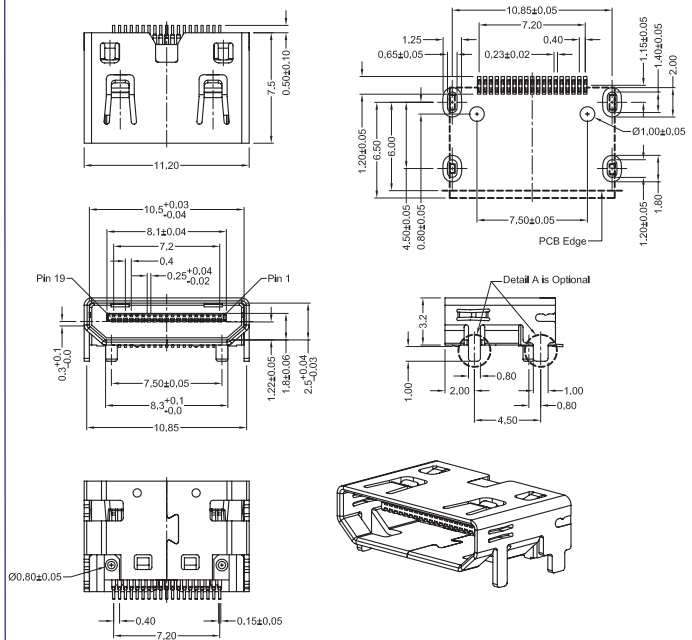
### Insulator Option

B - Black

### Packaging Option

TR - Tape and Reel

## KMDMIX-NS3X-WS-BTR



# Mouser Electronics

Authorized Distributor

Click to View Pricing, Inventory, Delivery & Lifecycle Information:

[Kycon:](#)

[KMDMIX-NS3A-WS-BTR](#) [KMDMIX-NS3B-WS-BTR](#)