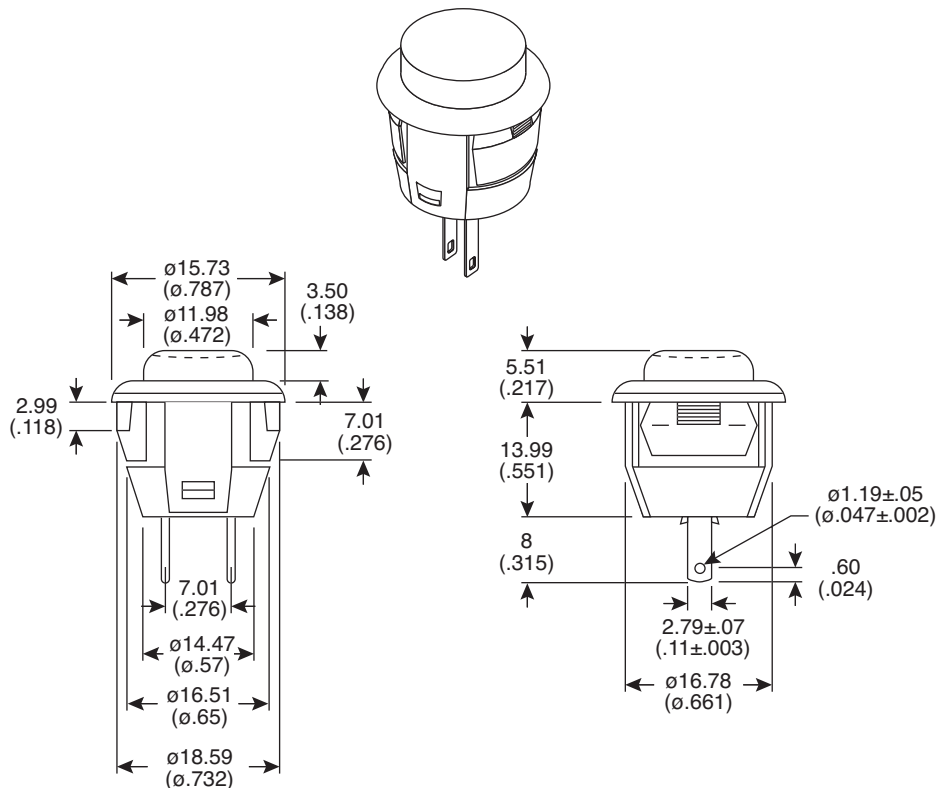


Dimensions: mm (in.)

**Electrical Specifications:**

- Rating: 3A/125VAC
- Contact resistance: 1A/2.5VDC 20m Ω or less
- Insulation resistance: 500VDC 100M Ω or more
- Dielectric Strength: 1000VAC 1 min.
- Electrical life: 10,000 cycles

Mechanical Specifications:

- Circuit: 2P (SPST)
- Mounting hole: $\phi .701 \pm .003$ "
- Acceptable panel thickness: .028~.100"
- Mechanical life: 30,000 cycles

Materials:

- Color: 10PA005 - red, 107-DS412W - white
- Net weight: gram/piece: 4.2g
- Contact: Copper
- Contact plate: Silver

Pushbutton Switches
10PA005; 107-DS412W

**Mountain
Switch**

Mouser Electronics

Authorized Distributor

Click to View Pricing, Inventory, Delivery & Lifecycle Information:

[Mountain Switch:](#)

[107-DS412W](#) [10PA005](#)