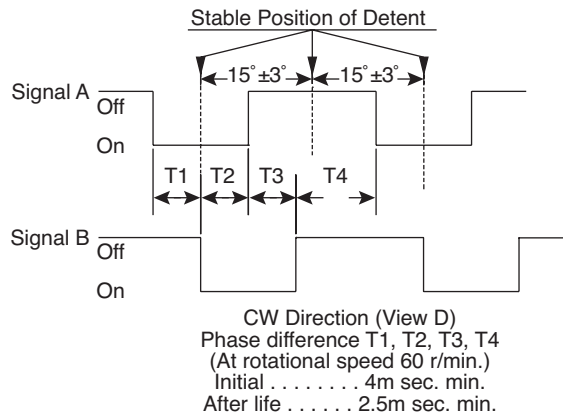
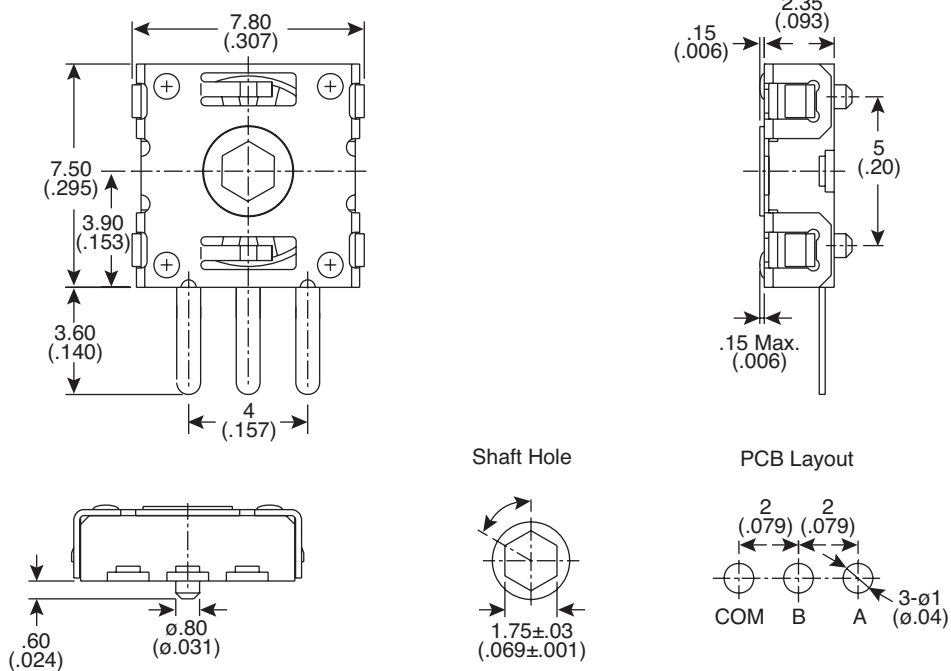


Dimensions: mm (in.)



**Electrical Specifications:**

- Contact Rating: 1mA/10VDC
- Contact Resistance: ≤ 10Ω
- Isulation Resistance: ≥ 50MΩ 50V DC
- Dielectric Strength: 50V AC 1 minute

**Mechanical Specifications:**

- Operating Force: 20± 10gf
- Operating Temperature: -10°C ~ +60°C
- Number and Postions of Segment Points: 24 Segment points (each segment angle: 15° ± 3°)
- Output Resolution: 12 pulse/360°

**Note:**

- RoHS Compliant

Encoder  
101-5439-EV



# Mouser Electronics

Authorized Distributor

Click to View Pricing, Inventory, Delivery & Lifecycle Information:

[Mountain Switch:](#)

[101-5439-EV](#)