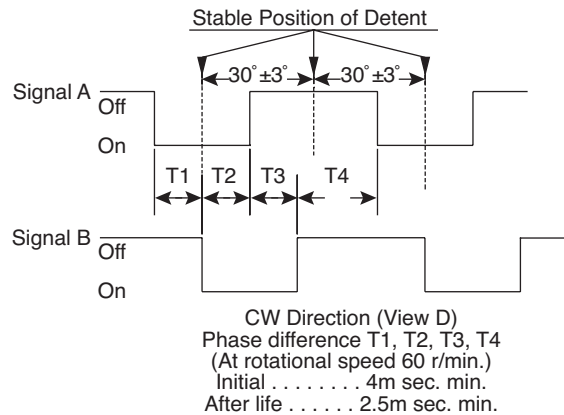
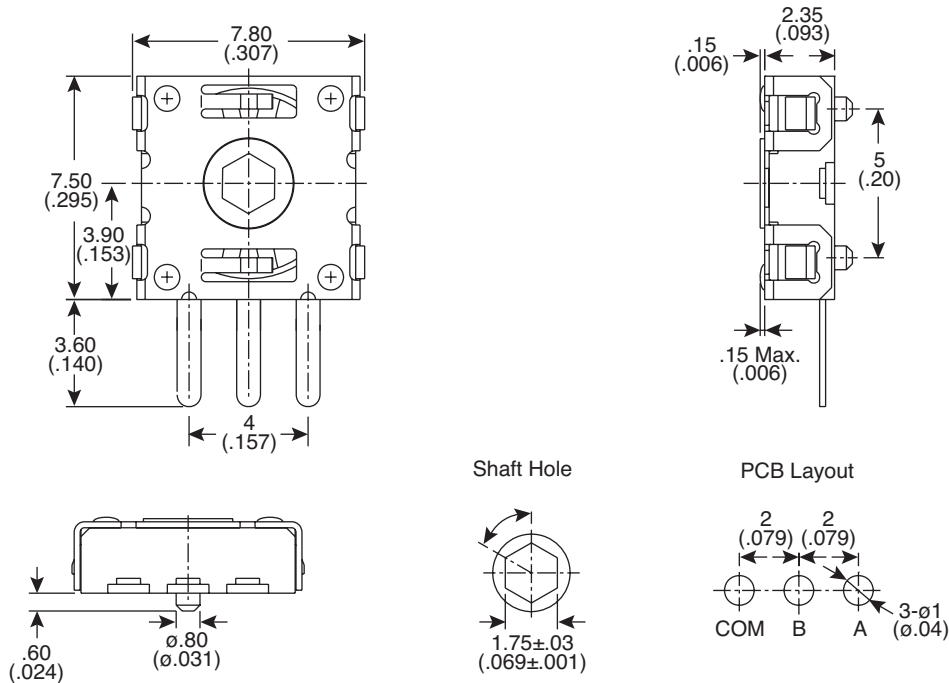


Dimensions: mm (in.)



Electrical Specifications:

- Contact Rating: 1mA/10VDC
- Contact Resistance: ≤ 10Ω
- Isulation Resistance: ≥ 50MΩ 50V DC
- Dielectric Strength: 50V AC 1 minute

Mechanical Specifications:

- Operating Force: 25± 10gf
- Operating Temperature: -10°C ~ +60°C
- Number and Postions of Segment Points: 12 Segment points (each segment angle: 30° ± 3°)
- Output Resolution: 6 pulse/360°

Note:

- RoHS Compliant

Encoder
 101-5429-EV



Mouser Electronics

Authorized Distributor

Click to View Pricing, Inventory, Delivery & Lifecycle Information:

[Mountain Switch:](#)

[101-5429-EV](#)