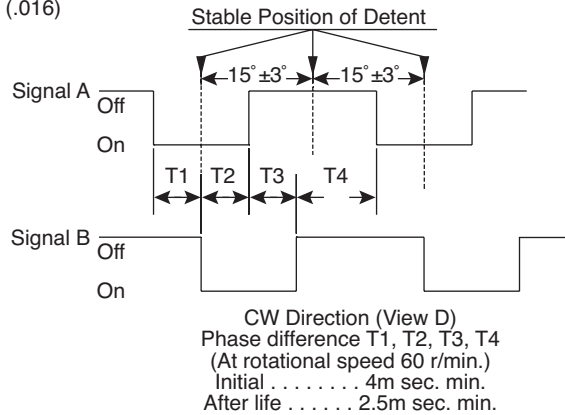
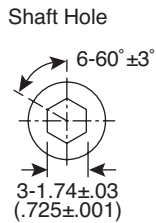
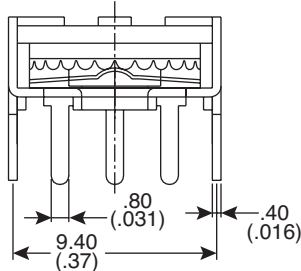
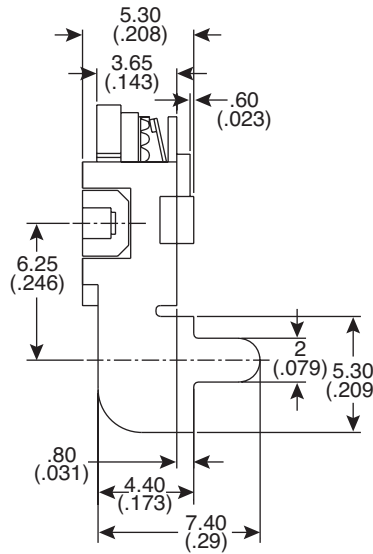
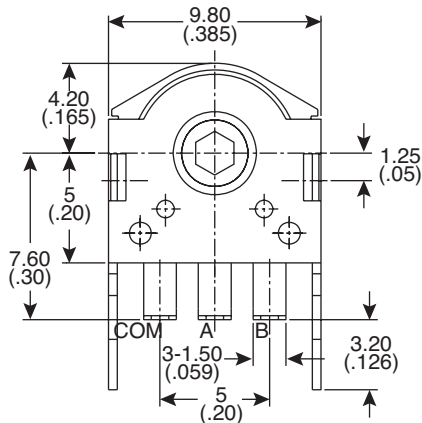
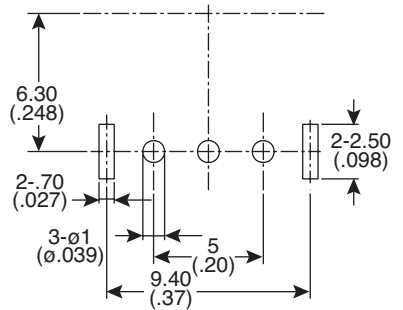


Dimensions: mm (in.)



P.C.B. Layout



Electrical Specifications:

- Contact Rating: 1mA/10VDC
- Contact Resistance: ≤ 10Ω
- Insulation Resistance: ≥ 50MΩ 50V DC
- Dielectric Strength: 50V AC 1 minute

Mechanical Specifications:

- Operating Force: 20± 10gf
- Operating Temperature: -25°C ~ +65°C
- Number and Positions of Segment Points: 24 Segment points (each segment angle: 15° ±3°)
- Output Resolution: 12 pulse/360°

Note:

- RoHS Compliant

Encoder
101-5433-EV



Mouser Electronics

Authorized Distributor

Click to View Pricing, Inventory, Delivery & Lifecycle Information:

[Mountain Switch:](#)

[101-5433-EV](#)