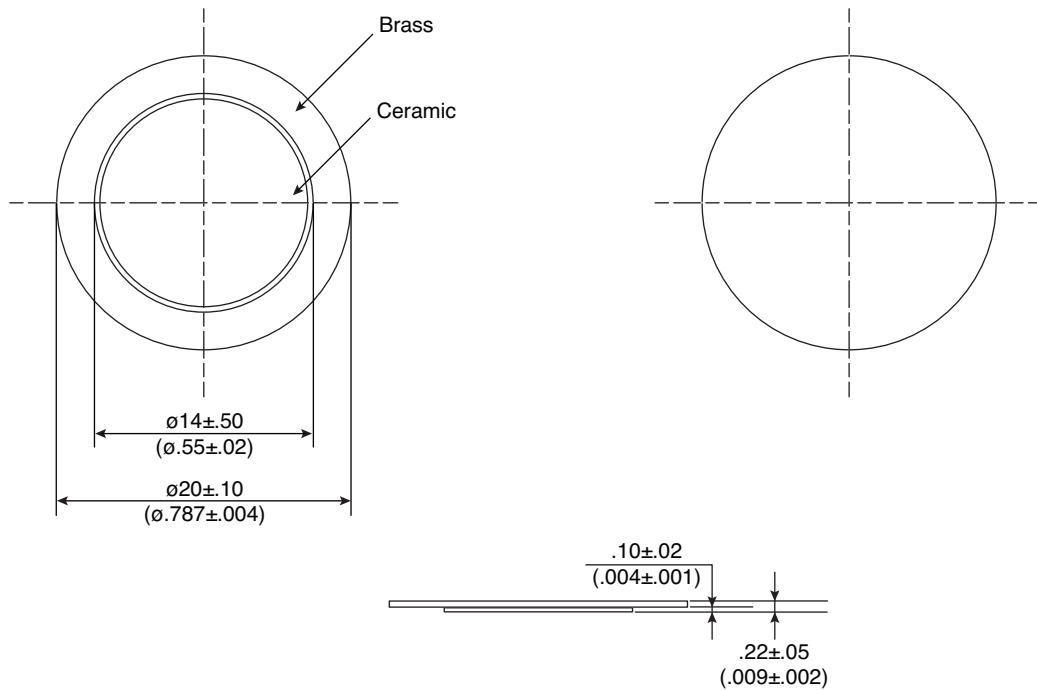


Part Number:

254-PB206-ROX

Dimensions: mm (in.)

Piezoelectric Buzzer Element



KT-400451

Electrical Specifications:

- Resonant Frequency: 3.6K Hz \pm 0.6
- Resonant Impedance: 500 Ω (max.)
- Capacity: 20,000pf \pm 30%
- Forward Voltage: 30V
- Operating Voltage: 10V ~ 30V

Note:

- RoHS Compliant by exemption

Mouser Electronics

Authorized Distributor

Click to View Pricing, Inventory, Delivery & Lifecycle Information:

[Kobitone:](#)

[254-PB206-ROX](#)