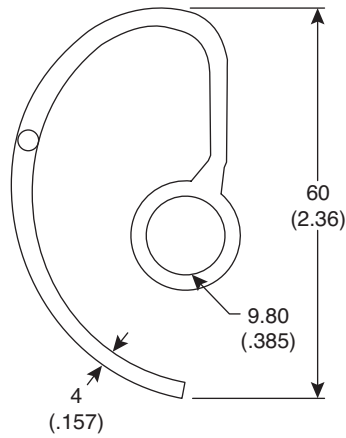
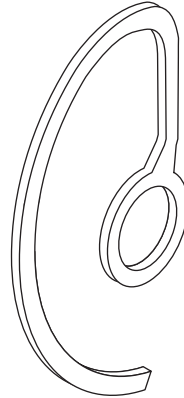


Part Number:

25DE001-RO

Earphone Support



KT-400301

Materials:

- Material thickness: 2mm
- Color: white

Note:

- RoHS Compliant

Mouser Electronics

Authorized Distributor

Click to View Pricing, Inventory, Delivery & Lifecycle Information:

[Kobitone:](#)

[25DE001-RO](#)